

**PARTS
CATALOGUE
CATALOGO
DE REPUESTOS**

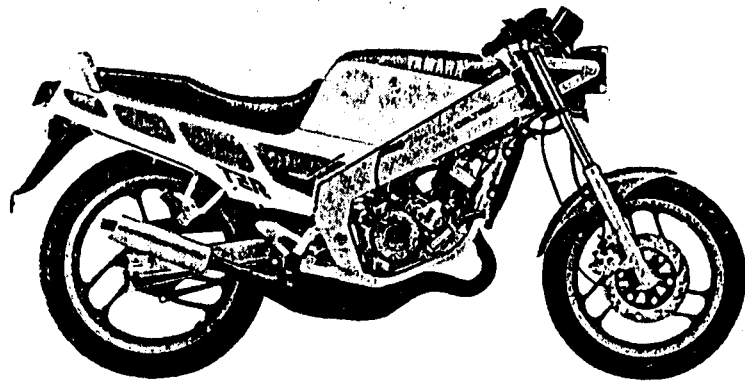
TZR125

(2TU)

**S. AFRICA
SINGAPORE**

YAMAHA
GENUINE
Parts & Accessories

172TU-664E1



A3

FOREWORD

This Parts Catalogue is related to the parts in use for the Yamaha TZR125 (2TU).
When you are ordering replacement parts for the TZR125 (2TU), refer to this Parts Catalogue and quote both part numbers and part names correctly.

Modifications or additions which have been made after issue of the Parts Catalogue will be announced in the Yamaha Parts News.

It is advisable that according to the Yamaha Parts News you make necessary corrections to the Parts Catalogue on hand to keep it up-to-date.

2. Abbreviations

The following abbreviations are used in this Parts Catalogue.

- U.R. Use size (thickness) and/or number as required.
- U.N. Use as many as you need.
- A.P. Alternate Parts
- L.M. Local Made
- F# Frame No. (Applicable machine No.)

3. The parts marked with (*) in the parts number column of this Catalogue are not supplied with by Yamaha, those have to be found locally.

4. Parts, which are to be supplied in the form of assemblies, are listed with an indentation of one letter's space, and a dot (.) is put against the name of each part.

EXAMPLE CARBURETOR ASS'Y
. JET, pilot
. NOZZLE, main

5. Indication of No. of constituent parts for assembly

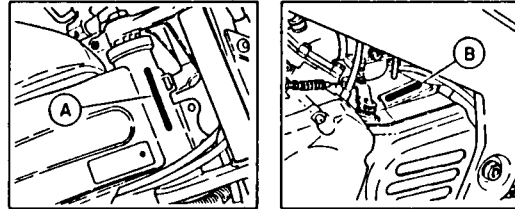
The numeral appearing to the right of each constituent part under the description indicates the quantity of such parts for each individual assembly unit.

EXAMPLE

Part No.	Description	Q'ty	Remarks
2F5-83310-60	FRONT FLASHER LIGHT ASS'Y	2	
115-83311-60	. BULB (6V-18W)	1	
1M1-83309-60	. REFLECTOR	1	

6. Initial Serial No. and Color Code

(A) Frame Serial No.	2TU-000101 and following
(B) Engine Serial No.	2TU-000101 and following



Color Code	Color Name	Abbreviate
36	CLEAN WHITE	W
NJ	FARAWAY BLUE	FWB

7. Applicable colors of graphics are represented in the "Remarks" column by the letter(s) appropriately picked out of the full word(s) showing such colors.

EXAMPLE

Part No.	Description	Q'ty	Remarks
2N4-24110-00-X5	FUEL TANK COMP.	1	MAXIM RED
3J1-24240-10	. GRAPHIC, fuel tank set	1	for MXR

CONTENTS

ENGINE

Cylinder	B2
Crankshaft. Piston	B3 ~ B4
Water Pump	B5
Radiator. Hose	B6
Oil Pump	B7
Intake	B8
Carburetor	B9
Exhaust	B10
Crankcase	B11
Crankcase Cover 1	B12
Starter	B13
Clutch	B14
Transmission	B15 ~ C2
Tachometer Gear	C3
Shift Cam. Fork	C4
Shift Shaft	C5

CHASSIS

Frame	C6
Fender	C7
Side Cover	C8
Oil Tank	C9
Rear Arm. Suspension	C10
Steering	C11
Front Fork	C12 ~ C13
Fuel Tank	C14
Seat	C15
Front Wheel	D2
Front Brake Caliper	D3

Rear Wheel	D4 ~ D5
Steering Handle. Cable	D6
Front Master Cylinder	D7
Stand. Footrest	D8 ~ D9
Generator	D10
Flasher Light	D11
Meter	D12
Headlight	D13
Taillight	D14
Handle Switch. Lever	D15
Electrical 1	E2
Electrical 2	E3

INDEX

Numerical Index	M1 ~ M3
-----------------------	---------

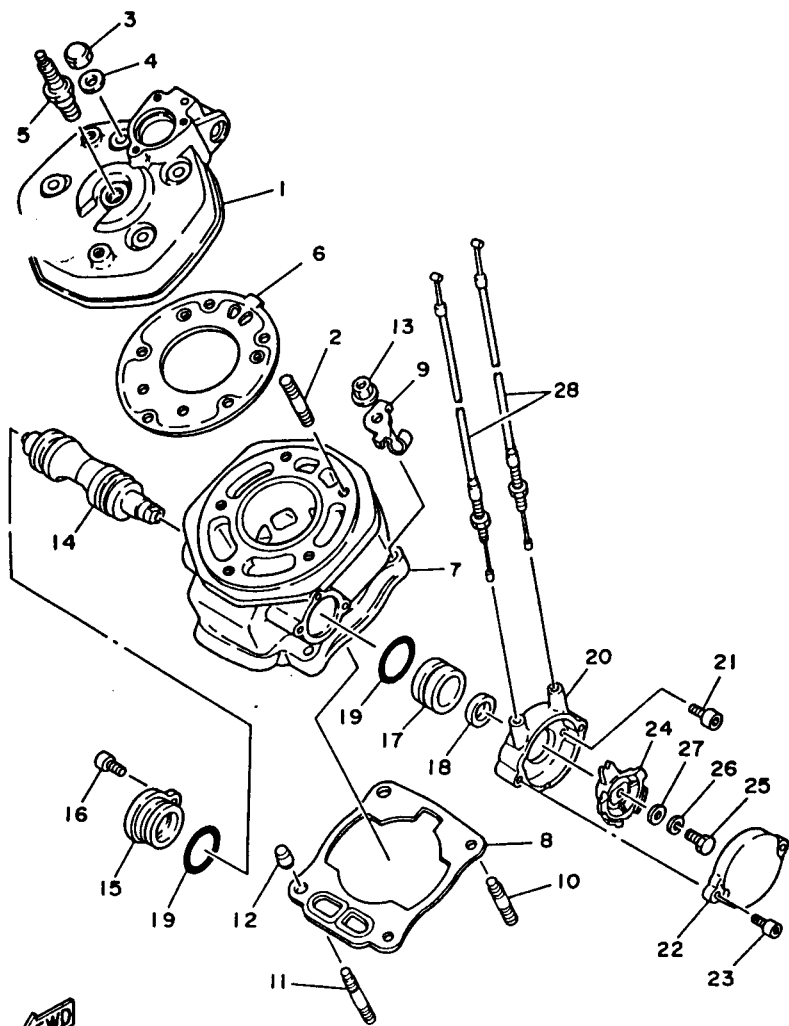


FIG. 1 CYLINDER

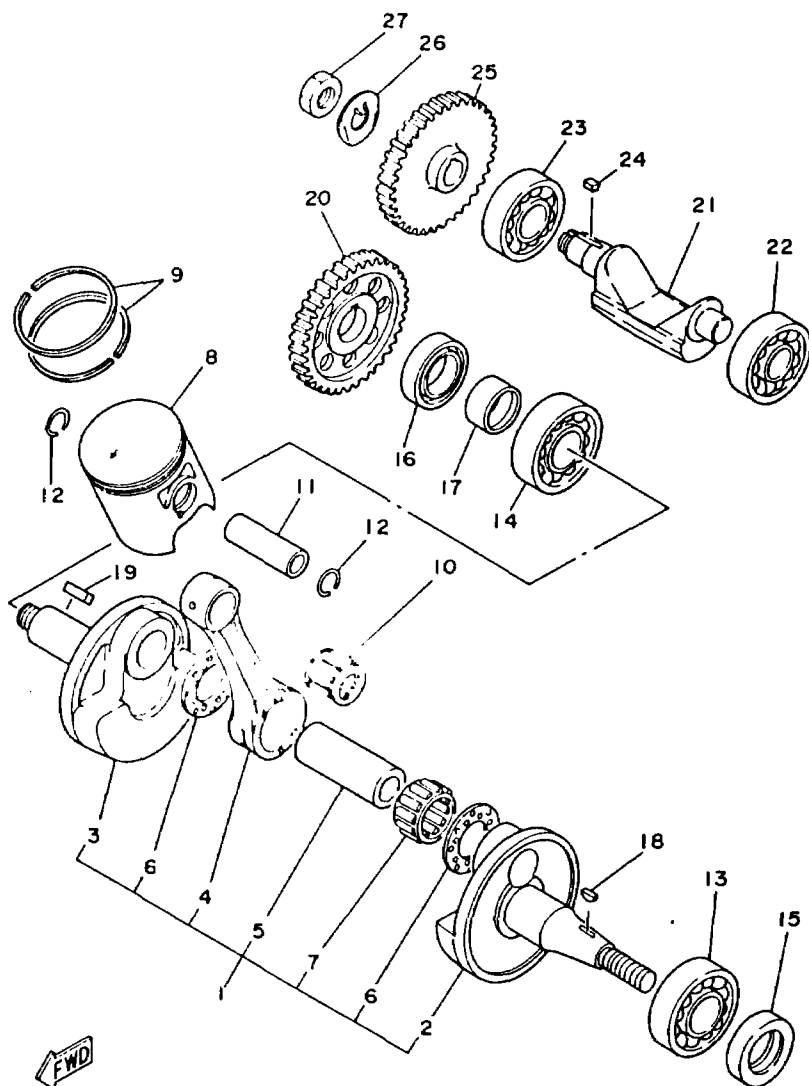
REF. NO.	PART NO.	DESCRIPTION	Q'TY	REMARKS
1	2RH-11111-00	HEAD, cylinder 1	1	
2	90116-08392	BOLT, stud	5	
3	90176-08040	NUT, crown	5	
4	90201-08649	WASHER,, plate	5	
5	94701-00188	PLUG, spark (NGK BR9ES).	1	
6	2RH-11181-00	GASKET, cylinder head 1	1	
7	2RH-11311-00	CYLINDER 1	1	
8	2RH-11351-00	GASKET, cylinder.	1	
9	2JK-1131E-00	HOLDER 1	1	
10	90116-08318	BOLT, stud	2	
11	90116-08388	BOLT, stud	2	
12	99510-10114	PIN, dowel	2	
13	90179-08299	NUT	4	
14	2RH-1131A-00	VALVE 1	1	
15	2RH-1131E-00	HOLDER 1	1	
16	91316-05012	BOLT	1	
17	29L-1131U-00	HOLDER 3	1	
18	93108-23010	OIL SEAL	1	
19	93210-27370	O-RING	2	
20	2RH-1131M-00	COVER	1	
21	91311-05010	BOLT	2	
22	2RH-1131R-00	CAP, seal.	1	
23	91316-05012	BOLT	2	
24	29L-1132E-00	PULLEY 1	1	
25	97316-06020	BOLT	1	
26	92906-06100	WASHER, spring	1	
27	92906-06600	WASHER, plate	1	
28	29L-1133E-00	CABLE, pulley 1	2	

B2

FWD

2RH700-7010

FIG. 2 CRANKSHAFT. PISTON

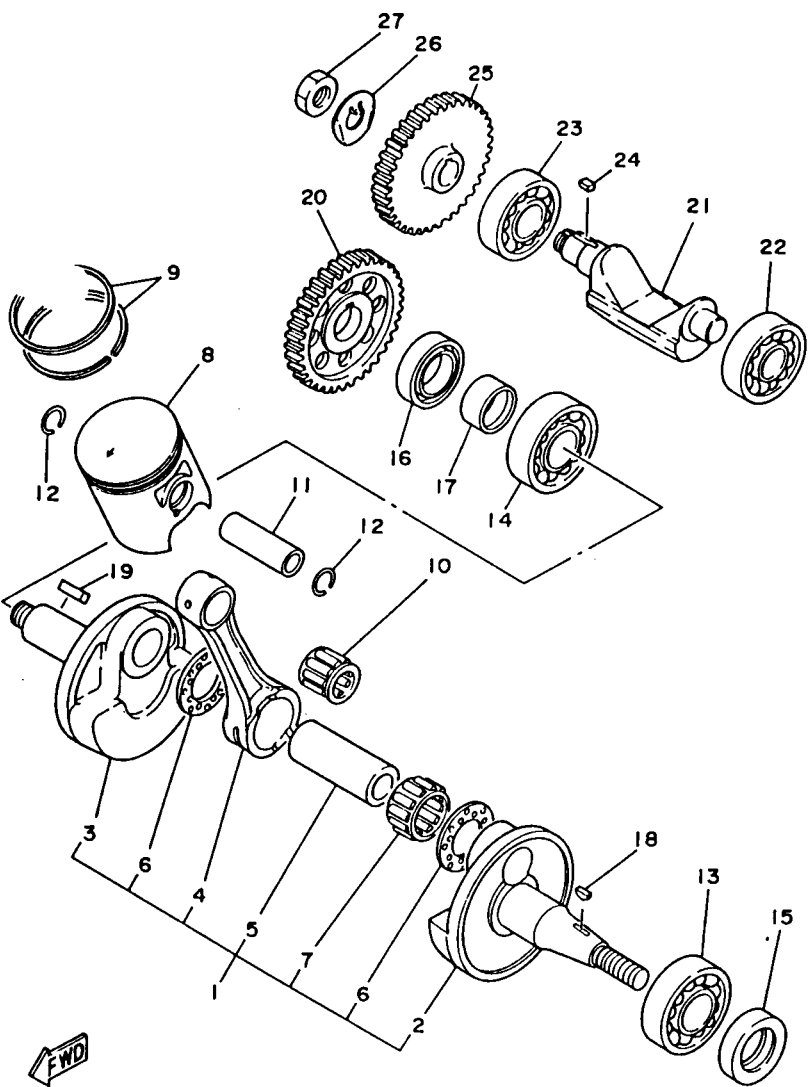


2RH300-7020

REF. NO.	PART NO.	DESCRIPTION	Q'TY	REMARKS
1	2RH-11400-00	CRANKSHAFT ASSY	1	
2	2RH-11412-00	.CRANK 1	1	
3	2RH-11422-00	.CRANK 2	1	
4	2RH-11651-00	.ROD, connecting	1	
5	37F-11681-00	.PIN, crank 1	1	
6	90209-22292	.WASHER	2	
7	93310-523T3	.BEARING, cylindrical	1	
8	2RH-11631-00-35	PISTON (STD)	1	
	2RH-11635-00	PISTON (0.25MM O/S)	1	AP
	2RH-11636-00	PISTON (0.50MM O/S)	1	AP
9	2RH-11610-00	PISTON RING SET (STD)	1	
	2RH-11610-10	PISTON RING SET (1ST O/S)	1	AP
	2RH-11610-20	PISTON RING SET (2ND O/S)	1	AP
10	93310-316H7	BEARING, cylindrical	1	
11	137-11633-00	PIN, piston	1	
12	4V2-11634-00	CLIP, piston pin	2	
13	93306-20562	BEARING	1	
14	93306-30543	BEARING	1	
15	93102-25331	OIL SEAL	1	
16	93103-32099	OIL SEAL	1	
17	90387-202T9	COLLAR	1	
18	90280-03045	KEY, woodruff	1	
19	90282-05047	KEY, straight	1	
20	10V-11536-01	GEAR, drive	1	
21	2RH-11454-00	WEIGHT 1	1	
22	93306-30210	BEARING	1	
23	93306-20335	BEARING	1	
24	90282-05058	KEY, straight	1	

FIG. 2 CRANKSHAFT. PISTON

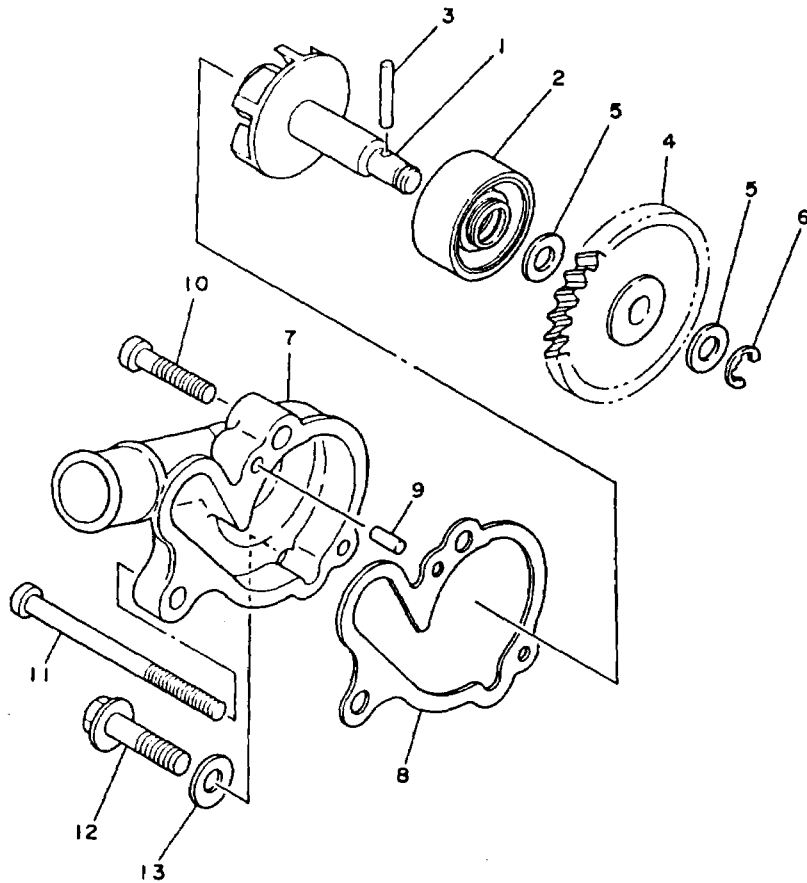
REF. NO.	PART NO.	DESCRIPTION	Q'TY	REMARKS
25	37F-11530-00	BALANCER WEIGHT GEAR COMP.	1	
26	90215-12272	WASHER, lock	1	
27	90170-12370	NUT	1	



2RH300-7020

B4

FIG. 3 WATER PUMP



REF. NO.	PART NO.	DESCRIPTION	Q'TY	REMARKS
1	36F-12450-00	IMPELLER SHAFT ASSY	1	
2	93103-10147	OIL SEAL	1	
3	93603-22028	PIN, dowel	1	
4	2RH-12459-00	GEAR, impeller shaft	1	
5	90201-08512	WASHER, plate	2	
6	99001-07600	CIRCLIP	1	
7	2RH-12422-00	COVER, housing	1	
8	2RH-12428-00	GASKET, housing cover 2	1	
9	93604-10011	PIN, dowel	2	
10	92506-06025	SCREW, pan head	1	
11	92506-06070	SCREW, pan head	1	
12	95816-06025	BOLT, flange	1	
13	90430-06166	GASKET	1	



2RH300-7030

B5

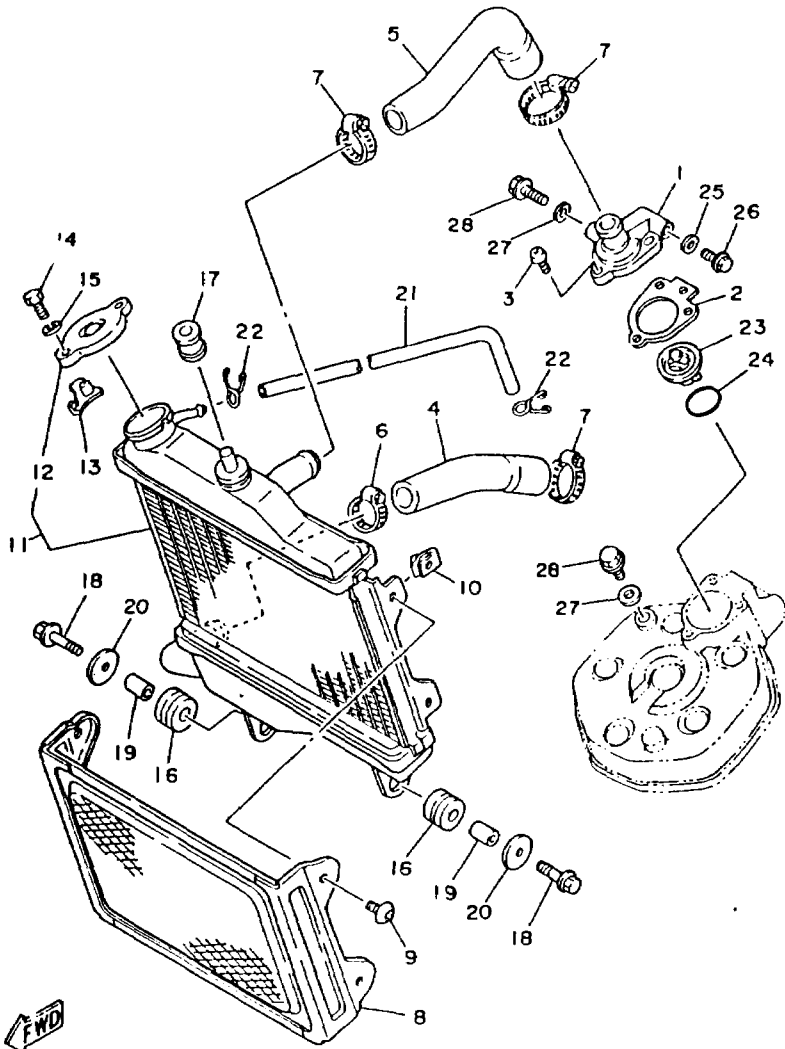


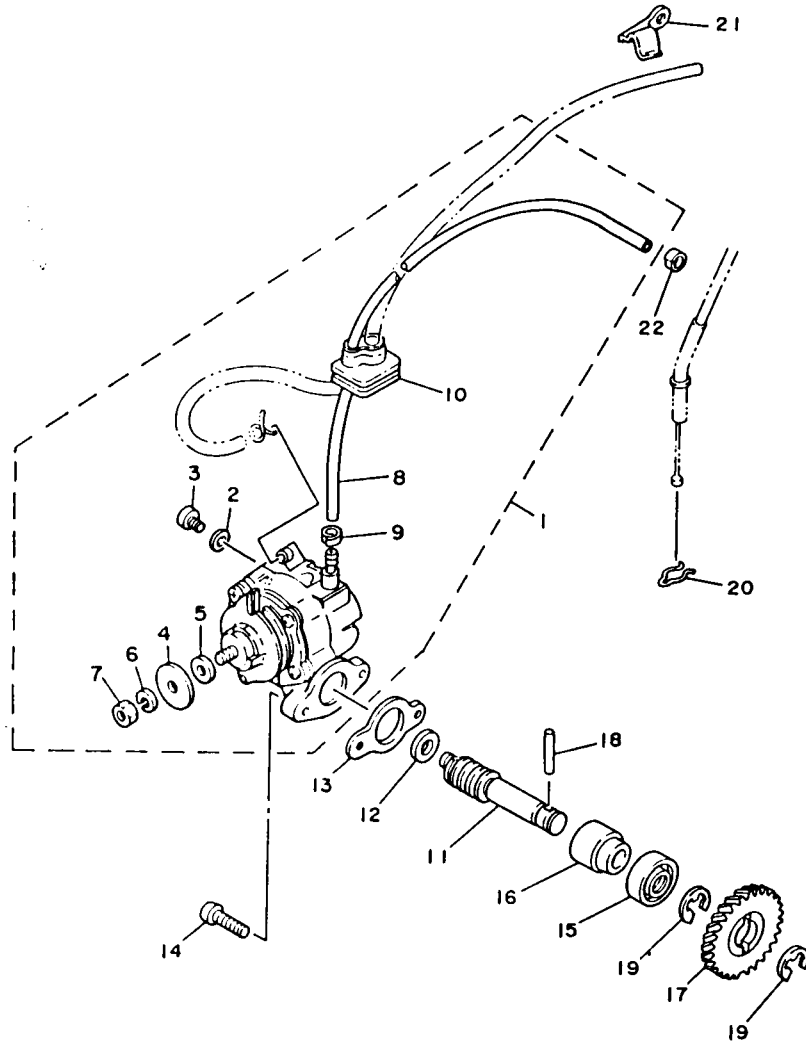
FIG. 4 RADIATOR. HOSE

REF. NO.	PART NO.	DESCRIPTION	Q'TY	REMARKS
1	2RH-12413-00	COVER, thermostat	1	
2	2RH-12414-00	GASKET, cover	1	
3	92506-06016	SCREW, pan head	3	
4	2RH-12481-00	PIPE 1	1	
5	2RH-12482-00	PIPE 2	1	
6	90460-27270	CLAMP, hose	1	
7	90460-27219	CLAMP, hose	3	
8	2RH-12498-00	PROTECTOR	1	
9	90110-05079	BOLT, hexagon socket head	4	
10	90183-05044	NUT, spring	4	
11	2RH-12460-00	RADIATOR ASSY	1	
12	1KT-12462-00	.CAP, radiator	1	
13	1KT-12437-00	STOPPER	1	
14	97006-05012	BOLT	1	
15	92906-05100	WASHER, spring	1	
16	90480-15363	GROMMET	2	
17	90480-16284	GROMMET	1	
18	95806-06025	BOLT, flange	2	
19	90387-07392	COLLAR	2	
20	90201-060A3	WASHER, plate	2	
21	2RH-12483-00	PIPE 3	1	
22	90467-09006	CLIP	2	
23	34X-12411-00	THERMOSTAT	1	
24	93210-27194	O-RING	1	
25	90430-06166	GASKET	1	
26	95826-06020	BOLT, flange	1	
27	90430-06166	GASKET	2	
28	95821-06020	BOLT, flange	2	

2TU664-7040

B6

FIG. 5 OIL PUMP



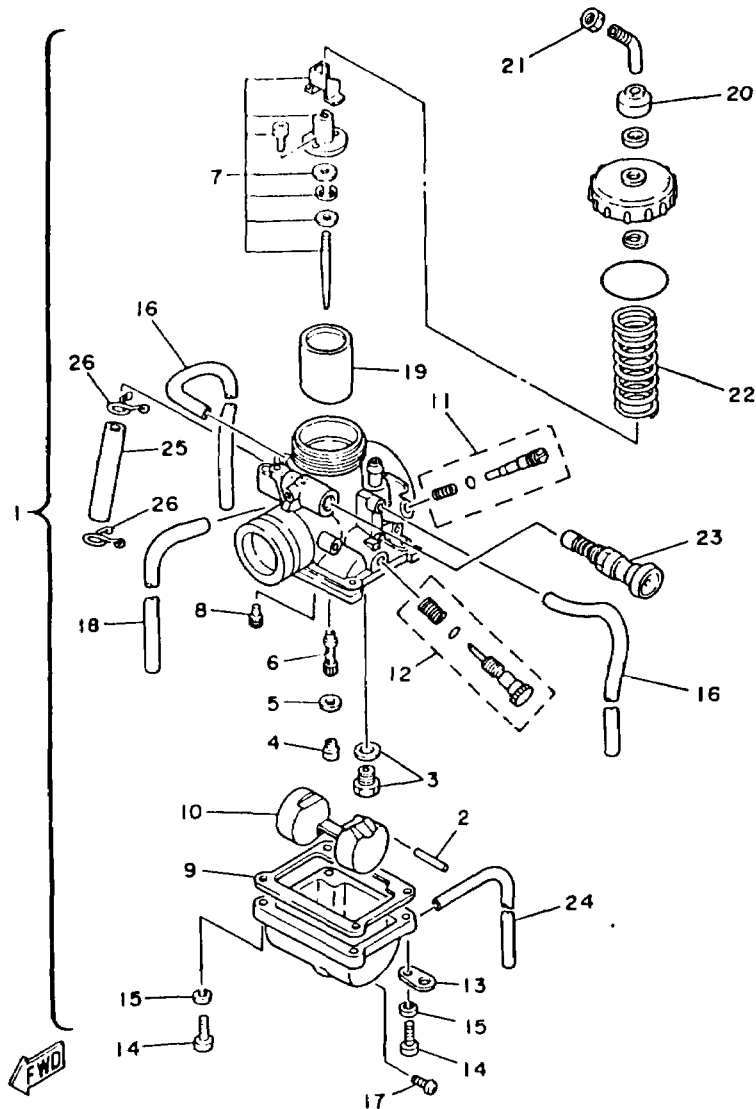
REF. NO.	PART NO.	DESCRIPTION	Q'TY	REMARKS
1	2RH-13101-00	OIL PUMP ASSY	1	
2	90430-04004	.GASKET	1	
3	98901-04008	.SCREW, bind	1	
4	137-13138-01	.PLATE, adjusting	1	
5	137-13137-00-03	.SHIM (0.3T)	1	UR
	137-13137-00-05	.SHIM (0.5T)	1	UR
	137-13137-00-10	.SHIM (1.0T)	1	UR
6	92901-05100	.WASHER, spring	1	
7	95301-05600	.NUT	1	
8	90445-053F3	.HOSE	1	
9	90468-02033	.CLIP	1	
10	18G-13174-00	.HOLDER, oil pipe	1	
11	55K-13175-01	SHAFT, worm	1	
12	90201-08624	WASHER, plate	1	
13	8Y0-13116-00	GASKET, pump case	1	
14	98501-05016	SCREW, pan head	2	
15	93101-10090	OIL SEAL	1	
16	1E7-13176-00	METAL, worm shaft outer	1	
17	10V-13178-01	GEAR, pump drive	1	
18	93603-22028	PIN, dowel	1	
19	93430-08036	CIRCLIP	2	
20	90468-08086	CLIP	1	
21	367-13174-00	HOLDER, oil pipe	1	
22	90468-02033	CLIP	1	

FWD

2RH300-7050

B7

FIG. 7 CARBURETOR



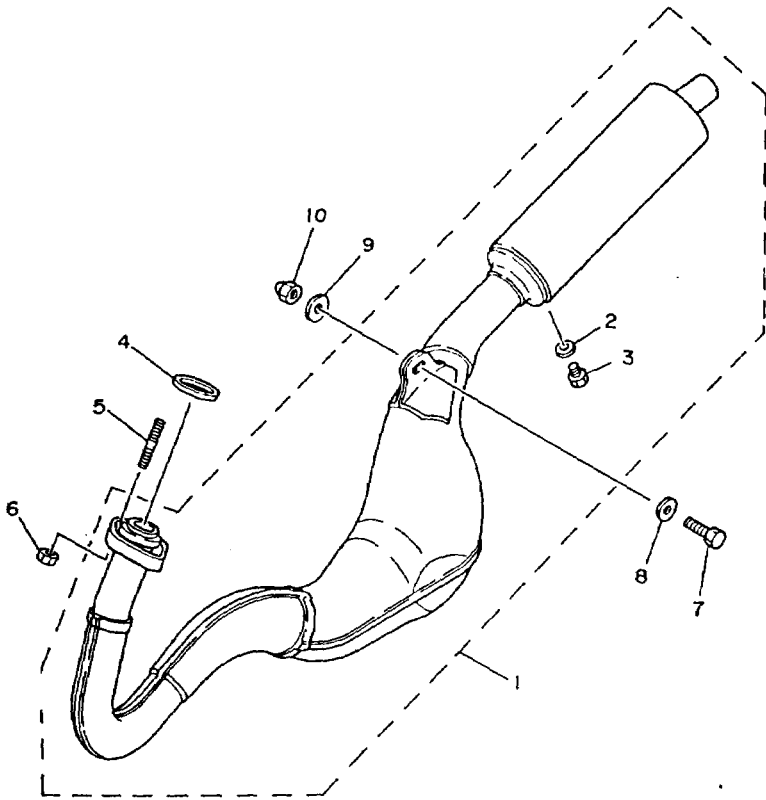
2TU664-7070

REF. NO.	PART NO.	DESCRIPTION	Q'TY	REMARKS
1	2TU-14101-00	CARBURETOR ASSY 1	1	
2	537-14186-00	.PIN, float	1	
3	23L-14107-25	.NEEDLE VALVE SET	1	
4	137-14143-36	.JET, main (#180)	1	
5	137-14153-00	.WASHER, main jet	1	
6	1GU-14141-46	.NOZZLE, main	1	
7	2RH-1490J-00	.NEEDLE SET	1	
8	193-14142-22	.JET, pilot (# 22.5)	1	
9	304-14184-00	.GASKET, float chamber	1	
10	314-14185-00	.FLOAT	1	
11	10W-14104-00	.AIR SCREW SET	1	
12	31J-14103-00	.THROTTLE SCREW SET	1	
13	132-14146-00	.PLATE	2	
14	98511-04016	.SCREW, pan head	4	
15	92902-04100	.WASHER, spring	4	
16	183-14197-01	.PIPE	2	
17	12R-14191-00	.PLUG, drain	1	
18	1GU-14197-00	.PIPE	1	
19	2RH-14112-20	.VALVE, throttle 1	1	
20	3X3-14169-00	.CAP	1	
21	802-14161-00	.NUT, cable adjusting	1	
22	1GU-14131-00	.SPRING, throttle valve	1	
23	2AL-14171-00	.PLUNGER, starter	1	
24	29U-14197-00	.PIPE	1	
25	51L-14987-00	.HOSE	1	
26	90467-10008	.CLIP	2	

B9

FIG. 8 EXHAUST

REF. NO.	PART NO.	DESCRIPTION	Q'TY	REMARKS
1	2RH-14710-00	MUFFLER ASSY 1	1	
2	92906-06600	.WASHER, plate	1	
3	90101-06576	.BOLT	1	
4	152-14613-00	GASKET, exhaust pipe	1	
5	90116-08042	BOLT, stud	2	
6	95303-08600	NUT	2	
7	90101-08461	BOLT	1	
8	90201-087F0	WASHER, plate	1	
9	90201-083A6	WASHER, plate	1	
10	90176-08026	NUT, crown	1	



2RH300-7080

B10



2RH300-7090

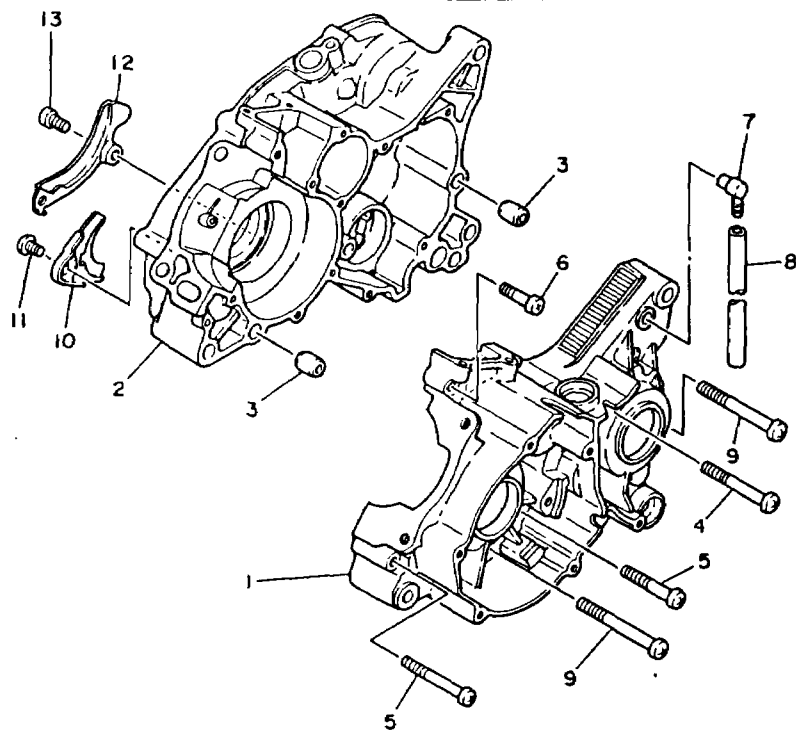
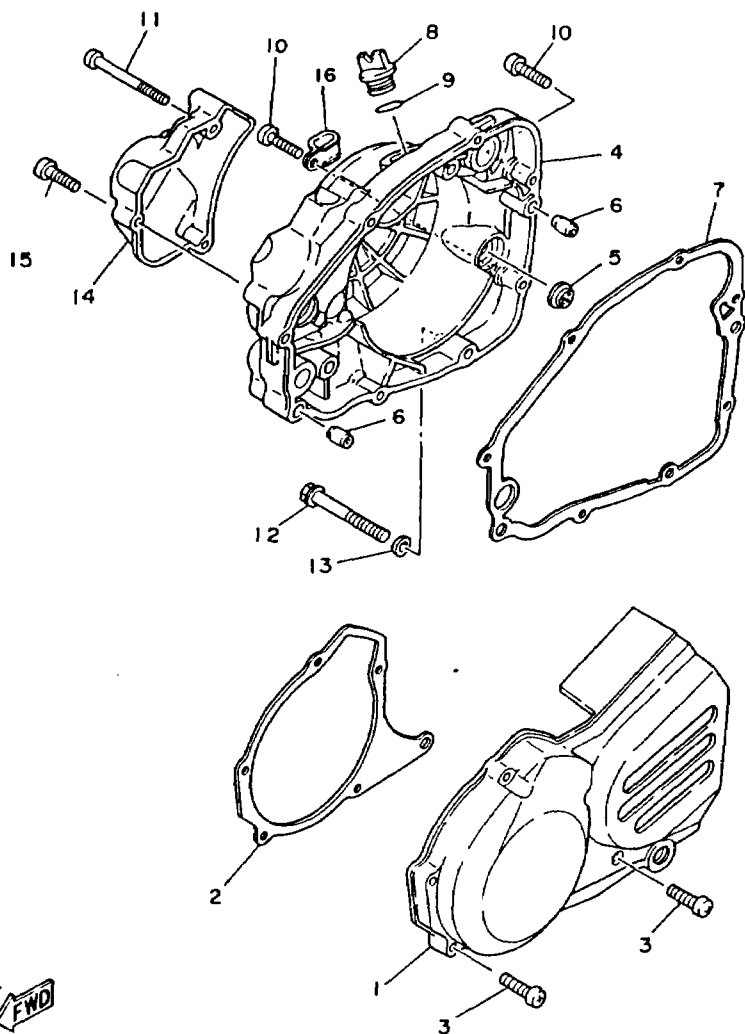


FIG. 9 CRANKCASE

REF. NO.	PART NO.	DESCRIPTION	Q'TY	REMARKS
1	2RH-15111-01	CRANKCASE 1	1	
2	2RH-15121-00	CRANKCASE 2	1	
3	99510-12016	PIN, dowel	2	
4	92501-06060	SCREW, pan head	4	
5	92503-06045	SCREW, pan head	6	
6	92501-06030	SCREW, pan head	2	
7	498-15371-00	BREATHER	1	
8	90446-07228	HOSE	1	
9	90157-06072	SCREW, pan head	2	
10	37F-15128-00	HOLDER	1	
11	92501-08010	SCREW, pan head	1	
12	2RH-15492-00	COVER	1	
13	92501-06012	SCREW, pan head	2	

FIG. 10 CRANKCASE COVER 1



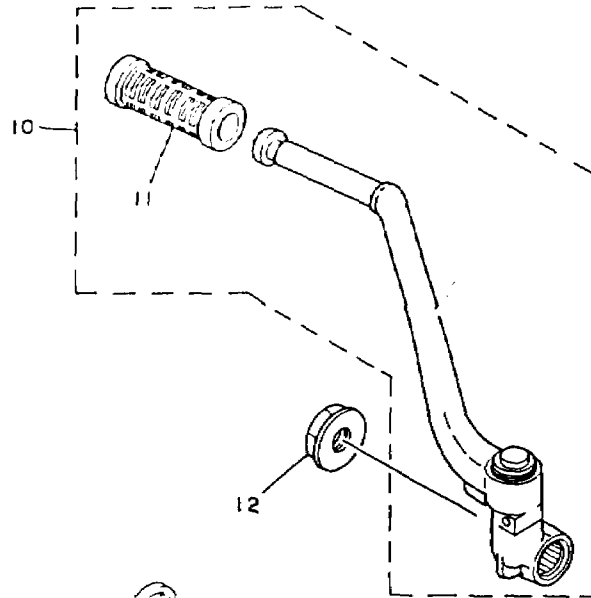
REF. NO.	PART NO.	DESCRIPTION	Q'TY	REMARKS
1	2RH-15411-00	COVER, crankcase 1	1	
2	2RH-15455-00	GASKET 1	1	
3	92516-06030	SCREW, pan head	6	
4	2RH-15421-00	COVER, crankcase 2	1	
5	3Y1-15361-00	GAUGE, level	1	
6	99530-10014	PIN, dowel	2	
7	2RH-15451-00	GASKET, crankcase cover 1	1	
8	1RG-15363-00	PLUG, oil	1	
9	93210-19123	O-RING	1	
10	92516-06030	SCREW, pan head	5	
11	92506-06070	SCREW, pan head	1	
12	95806-08070	BOLT, flange	1	
13	90430-08119	GASKET	1	
14	2RH-15416-00	COVER, oil pump	1	
15	92506-06025	SCREW, pan head	2	
16	90461-06103	CLAMP	1	

FWD

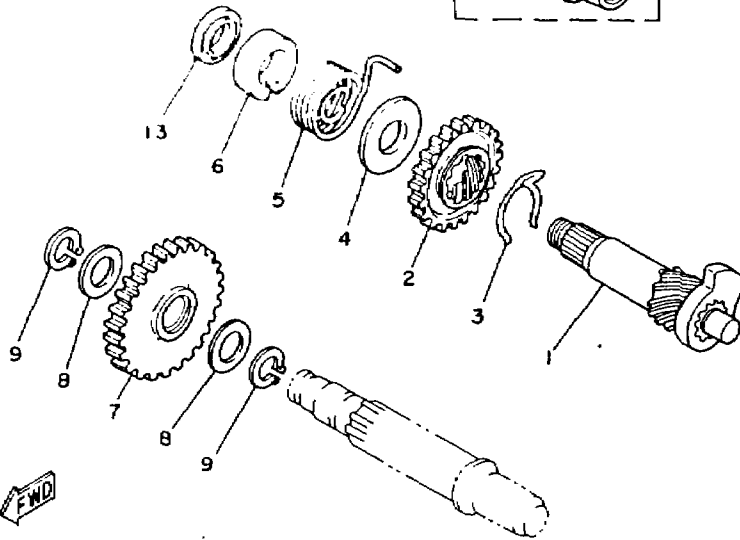
2RH300-7100

B12

FIG. 11 STARTER



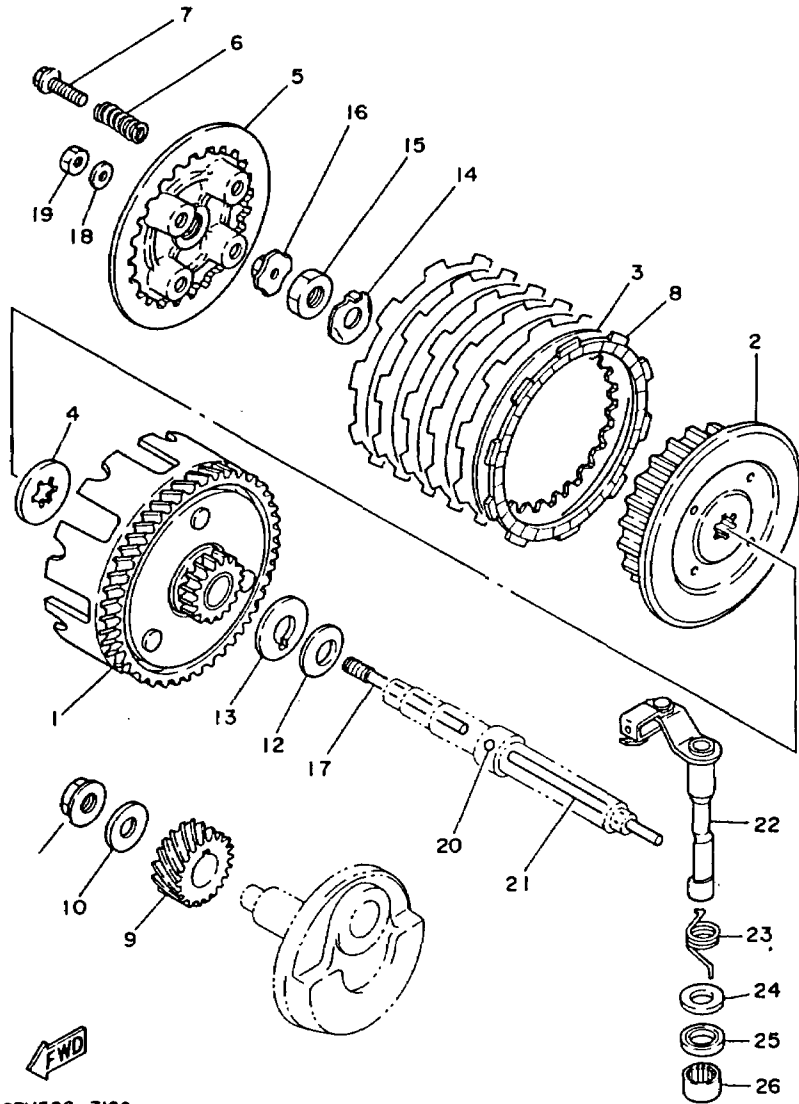
REF. NO.	PART NO.	DESCRIPTION	Q'TY	REMARKS
1	2RH-15620-00	KICK AXLE ASSY	1	
2	10V-15641-00	GEAR, kick (23T)	1	
3	90468-26048	CLIP	1	
4	90201-202F9	WASHER, plate	1	
5	90508-26667	SPRING, torsion	1	
6	10V-15666-00	SPACER	1	
7	10V-15651-00	GEAR, kick idle (29T)	1	
8	90201-154E8	WASHER, plate	2	
9	93440-15012	CIRCLIP	2	
10	2RH-15620-00	KICK CRANK ASSY	1	
11	156-15618-01	COVER, kick lever	1	
12	90179-12374	NUT	1	
13	93102-20309	OIL SEAL	1	



2RH300-7110

B13

FIG. 12 CLUTCH



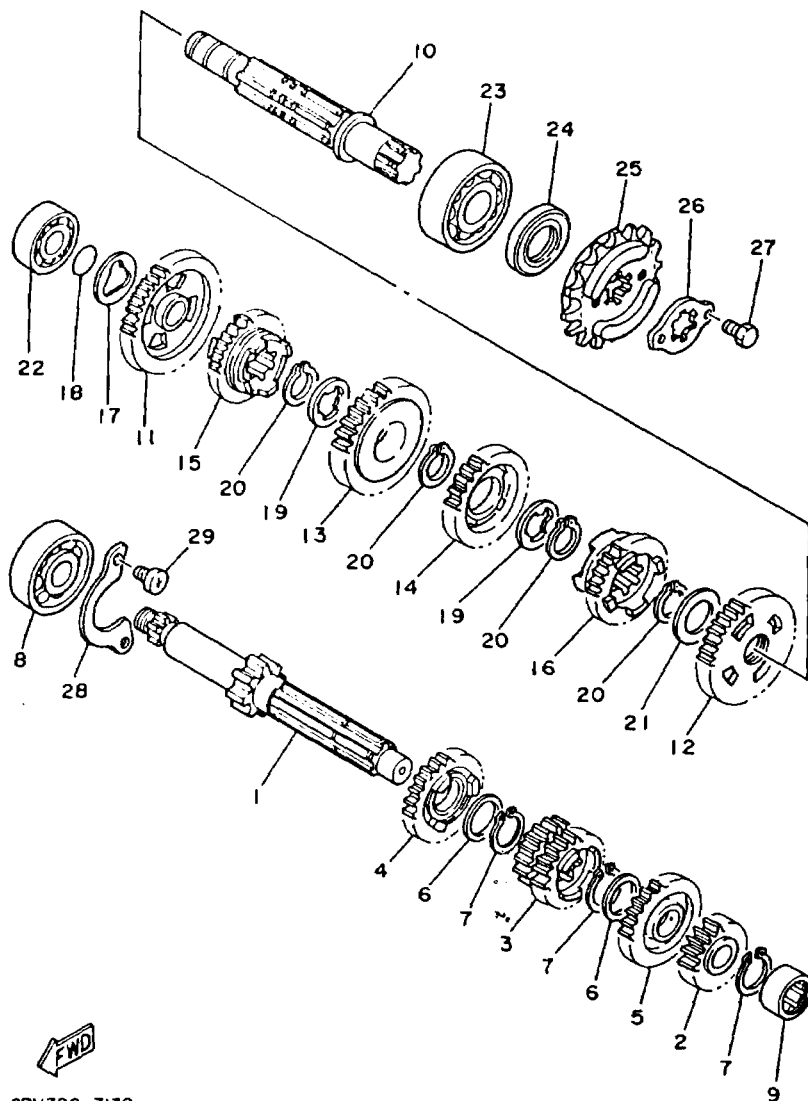
REF. NO.	PART NO.	DESCRIPTION	Q'TY	REMARKS
1	55X-16150-00	PRIMARY DRIVEN GEAR COMP. (71T)	1	
2	4Y2-16371-00	BOSS, clutch	1	
3	1V1-16324-00	PLATE, clutch 1	5	
4	4V0-16154-00	PLATE, thrust 1	1	
5	10V-16351-00	PLATE, pressure 1	1	
6	90501-20568	SPRING, compression	4	
7	90119-05001	BOLT, with washer	4	
8	21V-16321-00	PLATE, friction	6	
9	2A6-16111-00	GEAR, primary drive (22T)	1	
10	90201-120E8	WASHER, plate	1	
11	90179-12244	NUT	1	
12	90208-17032	WASHER, conical spring	1	
13	37F-16154-00	PLATE, thrust 1	1	
14	90215-12271	WASHER, lock	1	
15	90170-12370	NUT	1	
16	30X-16358-00	PLATE, push	1	
17	1W1-16356-01	ROD, push 1	1	
18	92900-06200	WASHER	1	
19	95303-06600	NUT	1	
20	93503-16010	BALL	1	
21	3R1-16357-00	ROD, push 2	1	
22	37F-16380-00	PUSH LEVER ASSY	1	
23	90508-20555	SPRING, torsion	1	
24	90201-14217	WASHER, plate	1	
25	93104-14004	OIL SEAL	1	
26	93315-21429	BEARING, cylindrical	1	

2RH300-7120

B14

FIG. 13 TRANSMISSION

REF. NO.	PART NO.	DESCRIPTION	Q'TY	REMARKS
1	2JK-17411-00	AXLE, main (12T)	1	
2	2RH-17121-00	GEAR, 2nd pinion (16T)	1	
3	2RH-17131-00	GEAR, 3rd/4th pinion (19T-21T)	1	
4	2RH-17151-00	GEAR, 5th pinion (23T)	1	
5	2RH-17161-00	GEAR, 6th pinion (24T)	1	
6	90201-20266	WASHER, plate (1.0T)	2	
7	93410-20038	CIRCLIP	3	
8	93306-30309	BEARING (86303ZZ)	1	
9	93317-31529	BEARING, cylindrical	1	
10	2RH-17421-00	AXLE, drive	1	
11	2RH-17211-00	GEAR, 1st wheel (34T)	1	
12	2RH-17221-00	GEAR, 2nd wheel (29T)	1	
13	2RH-17231-00	GEAR, 3rd wheel (26T)	1	
14	2RH-17241-00	GEAR, 4th wheel (24T)	1	
15	2RH-17251-00	GEAR, 5th wheel (23T)	1	
16	2RH-17261-00	GEAR, 6th wheel (22T)	1	
17	90209-15270	WASHER	1	
18	93210-12154	O-RING	1	
19	90209-18135	WASHER	2	
20	93410-22039	CIRCLIP	4	
21	90201-22555	WASHER, plate	1	
22	93306-20201	BEARING (86202)	1	
23	93306-30421	BEARING (86304C3)	1	
24	93102-20143	OIL SEAL	1	
25	34Y-17460-00	SPROCKET, drive 16T (36Y1746161)	1	
26	5H0-17456-00	HOLDER, sprocket	1	
27	97021-06010	BOLT	2	
28	55K-17471-00	PLATE, cover	1	

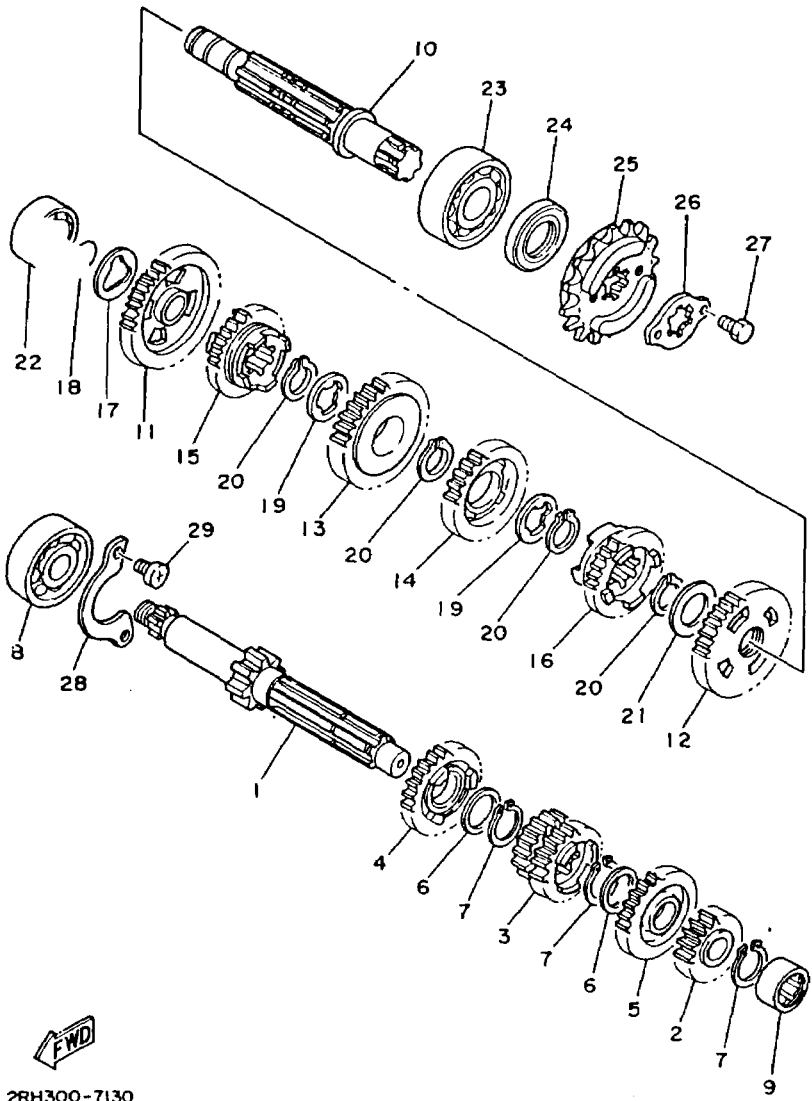


2RH300-7130

B15

FIG. 13 TRANSMISSION

REF. NO.	PART NO.	DESCRIPTION	Q'TY	REMARKS
29	92501-06012	SCREW, pan head	2	

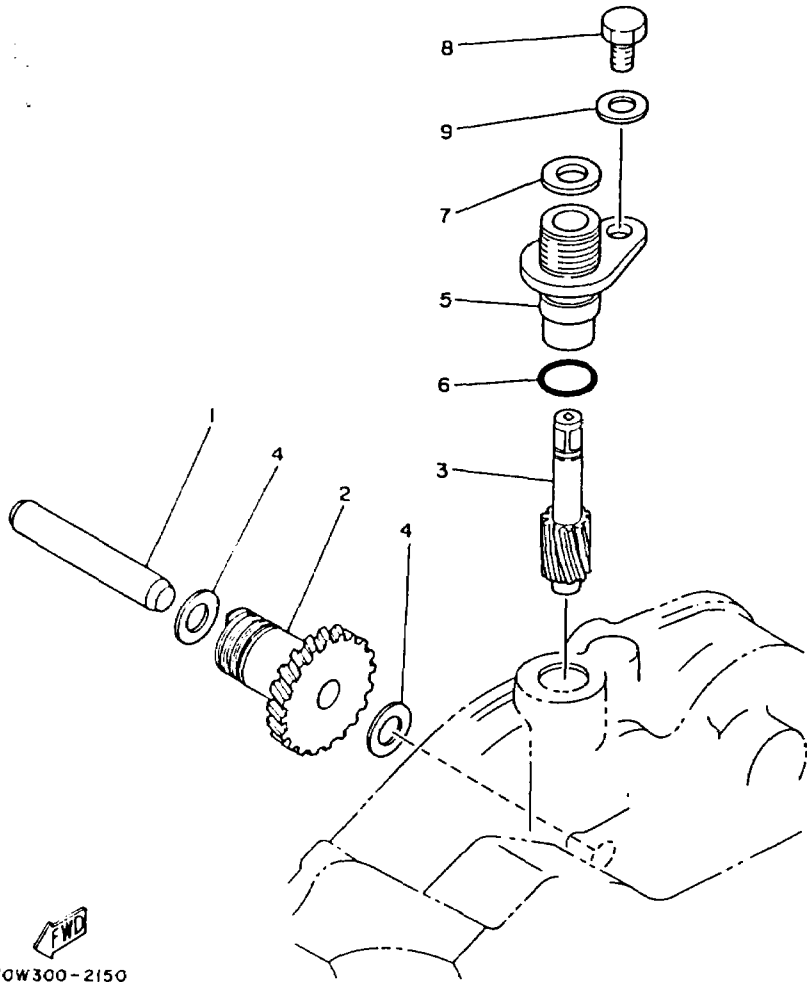


FWD
2RH300-7130

C2

FIG. 14 TACHOMETER GEAR

REF. NO.	PART NO.	DESCRIPTION	Q'TY	REMARKS
1	17F-17861-00	AXLE, drive gear	1	
2	17F-17831-00	GEAR, drive	1	
3	17F-17841-00	GEAR, driven	1	
4	90201-087H6	WASHER, plate	2	
5	4L0-17811-00	HOUSING, tachometer gear	1	
6	93210-12327	O-RING	1	
7	4L0-17818-00	GASKET	1	
8	97301-06010	BOLT	1	
9	92901-06600	WASHER, plate	1	

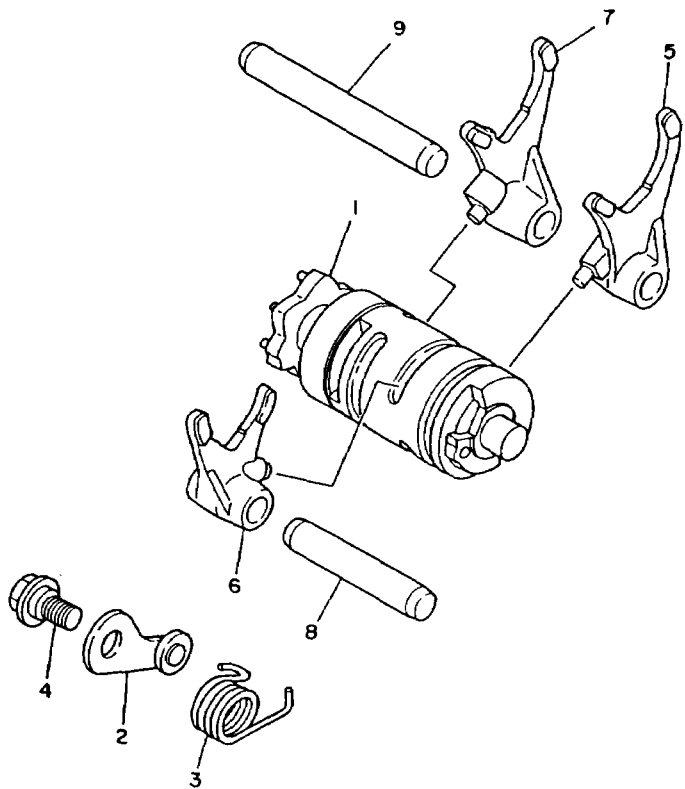



10W300-2150

C3

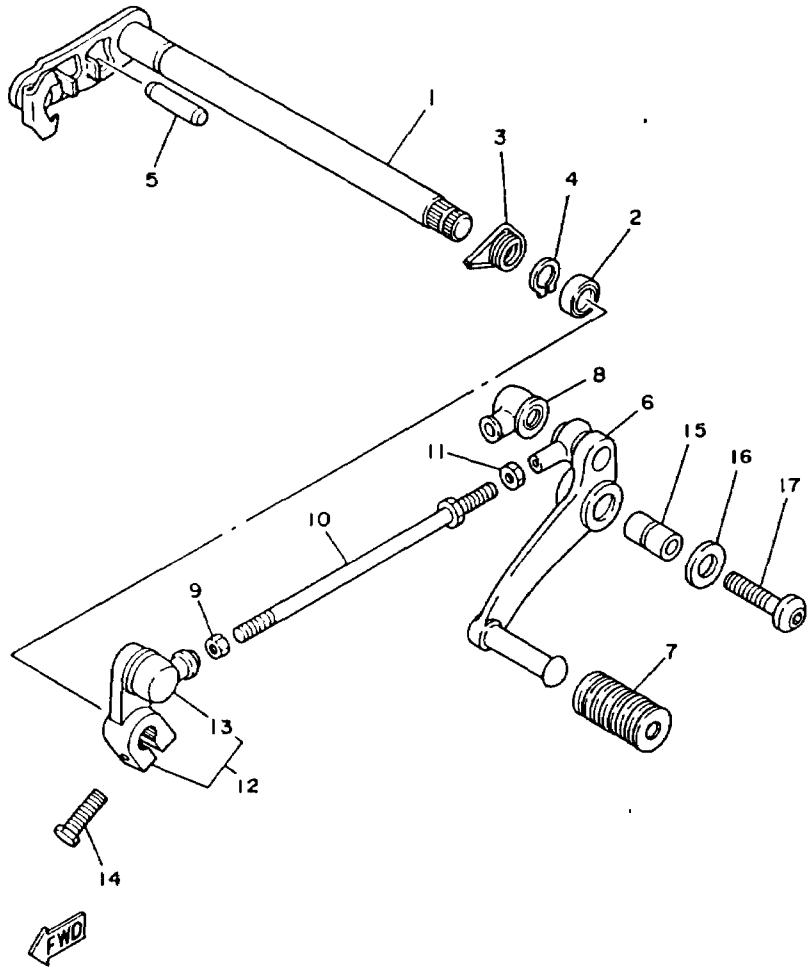
FIG. 15 SHIFT CAM. FORK

REF. NO.	PART NO.	DESCRIPTION	Q'TY	REMARKS
1	2RH-18540-10	SHIFT CAM ASSY	1	
2	3R4-18140-00	STOPPER LEVER ASSY	1	
3	90508-26561	SPRING, torsion	1	
4	50W-21631-00	BOLT 1	1	
5	55K-18511-00	FORK, shift 1	1	
6	2RH-18512-00	FORK, shift 2	1	
7	55K-18513-00	FORK, shift 3	1	
8	55K-18531-00	BAR, shift fork guide 1	1	
9	2A6-18535-00	BAR, shift fork guide 2	1	



2RH300-7150

C4



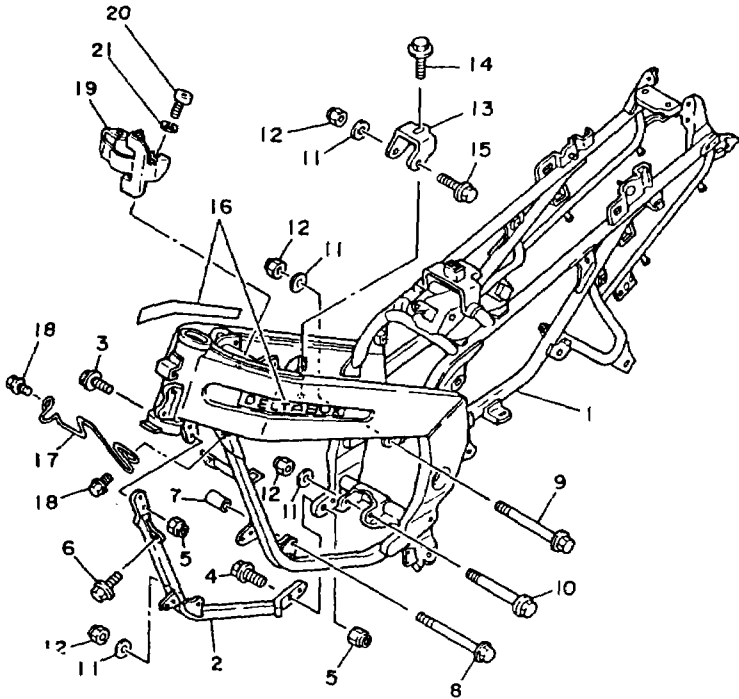
2RH300-7160

FIG. 16 SHIFT SHAFT

REF. NO.	PART NO.	DESCRIPTION	Q'TY	REMARKS
1	55K-18101-00	SHIFT SHAFT ASSY	1	
2	93101-12060	OIL SEAL	1	
3	90508-32642	SPRING, torsion	1	
4	99001-10600	CIRCLIP	1	
5	93608-30152	PIN, dowel	1	
6	2RH-18111-00	PEDAL, shift	1	
7	132-18113-01	COVER, shift pedal	1	
8	2H9-18154-00	COVER, dust	1	
9	90170-06228	NUT	1	
10	2RH-18115-00	ROD, shift	1	
11	95316-06700	NUT	1	
12	2RH-18112-01	ARM, shift	1	
13	2H9-18154-00	COVER, dust	1	
14	95826-06020	BOLT, flange	1	
15	90387-08725	COLLAR	1	
16	90201-081A6	WASHER, plate	1	
17	90109-083A8	BOLT	1	

C5

FIG. 17 FRAME

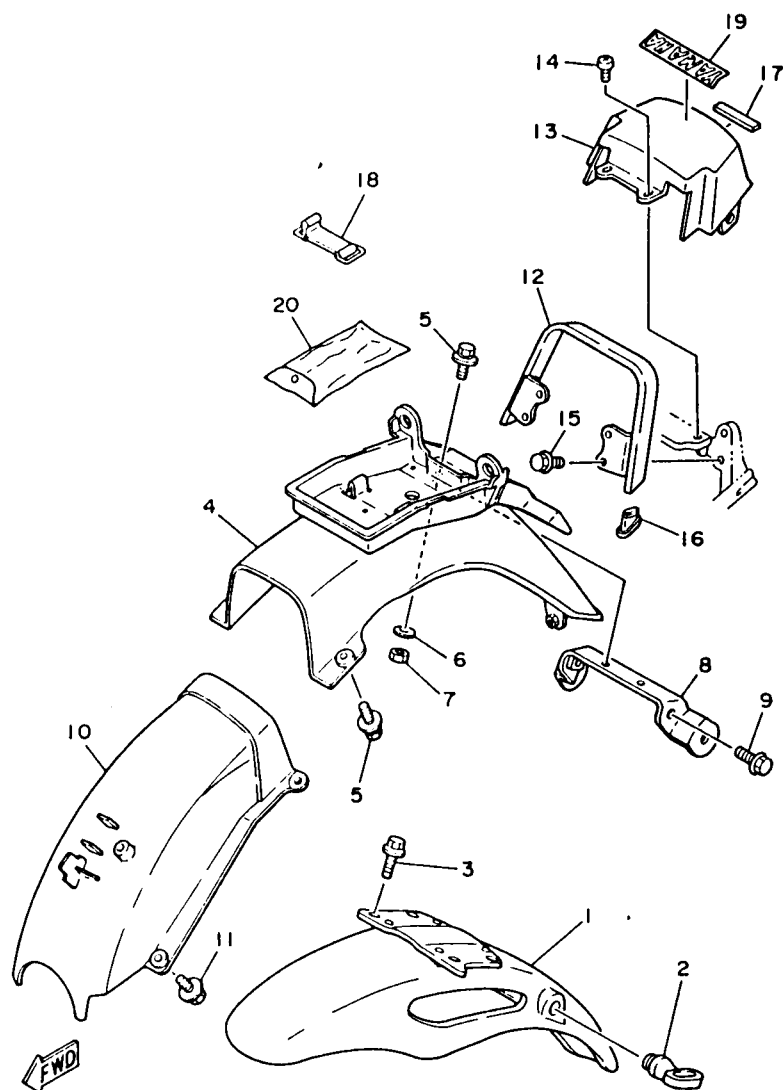


REF. NO.	PART NO.	DESCRIPTION	Q'TY	RE MARKS
1	2RH-21110-00-35	FRAME COMP.	1	SILVER
2	2RH-21150-00-35	DOWN TUBE COMP.2	1	SILVER
3	91021-08025	BOLT, flange	2	
4	91021-08030	BOLT, flange	2	
5	95601-08200	NUT, self-locking	4	
6	95821-08016	BOLT, flange	1	
7	90387-08218	COLLAR	1	
8	90105-08495	BOLT, washer based	1	
9	90105-08391	BOLT, washer based	1	
10	90105-08466	BOLT, washer based	1	
11	90201-08649	WASHER, plate	4	
12	90185-08054	NUT, self-locking	4	
13	2RH-2149F-00	STAY, engine protector 1	1	
14	95821-08016	BOLT, flange	1	
15	90105-08494	BOLT, washer based	1	
16	2RH-2118E-00	EMBLEM 1 (DELTABOX)	2	
17	2RH-2128B-00	GUIDE, cable	1	
18	95801-06012	BOLT, flange	2	
19	2RH-2135Y-00	BRACKET, ignition coil	1	
20	92502-06016	SCREW, pan head	2	
21	92990-06100	WASHER, spring	2	



2RH300-7170

C6



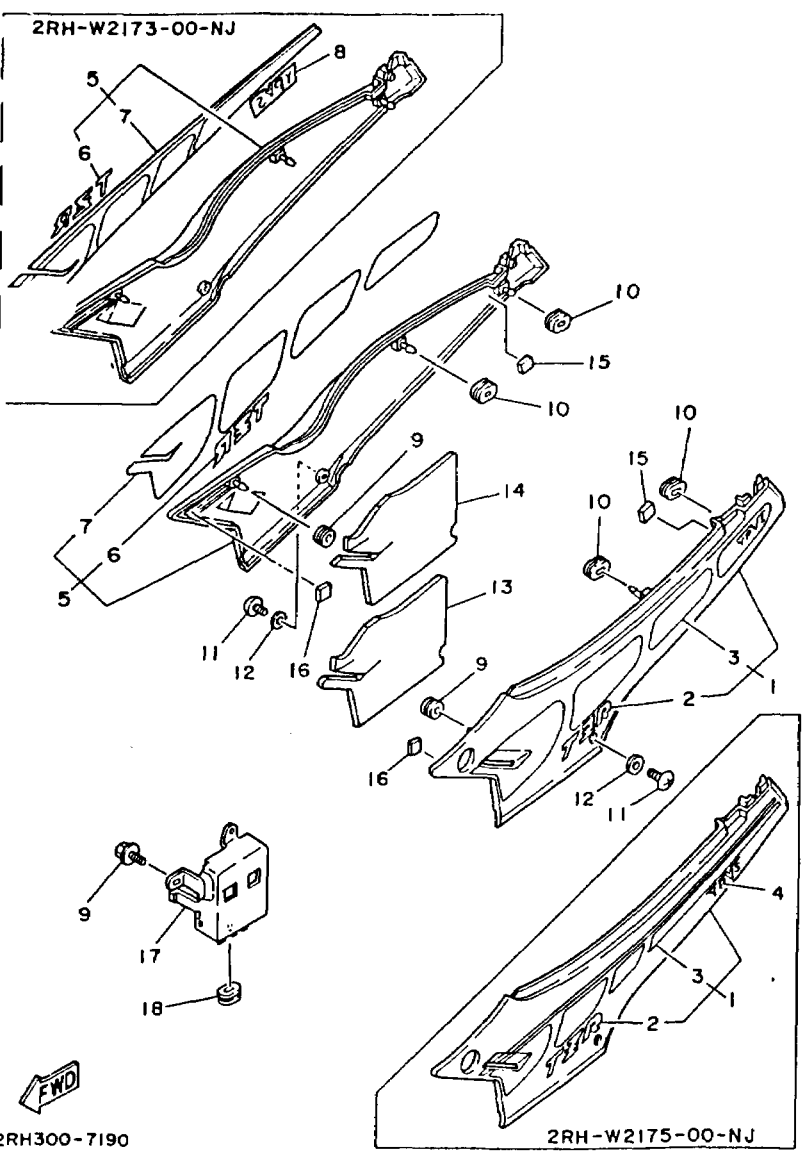
2RH300-7180

FIG. 18 FENDER

REF. NO.	PART NO.	DESCRIPTION	Q'TY	REMARKS
1	1GU-21510-00-E1	FRONT FENDER COMP.	1	UR CHAPPY RED
	1GU-21510-00-NJ	FRONT FENDER COMP.	1	UR FARAWAY BLUE
2	1A8-21518-00	HOLDER, cable	1	
3	95023-06012	BOLT, flange	4	
4	2RH-21610-00	REAR FENDER COMP.	1	
5	90119-06118	BOLT, with washer	4	
6	92901-06200	WASHER, plain	2	
7	95303-06600	NUT	2	
8	2RH-21645-00	STAY, rear	1	
9	95801-08012	BOLT, flange	2	
10	2RH-21629-00	GUARD, mud	1	
11	90119-06056	BOLT, with washer	2	
12	2RH-24773-00	HANDLE, seat	1	
13	2RH-21651-00-NJ	COVER, rear fender	1	UR FARAWAY BLUE
	2RH-21651-00-36	COVER, rear fender	1	UR CLEAN WHITE
14	98980-06016	SCREW, bind	2	
15	95821-06016	BOLT, flange	4	
16	2RH-26329-00	CAP, rubber	2	
17	50W-2639G-00	SEAL	1	
18	47X-82131-00	BAND, battery	1	
19	1KT-2163H-00	EMBLEM 2	1	UR FOR W
	1AE-2163G-10	EMBLEM 1	1	UR FOR FWB
20	10W-28100-00	TOOL KIT	1	

FIG. 19 SIDE COVER

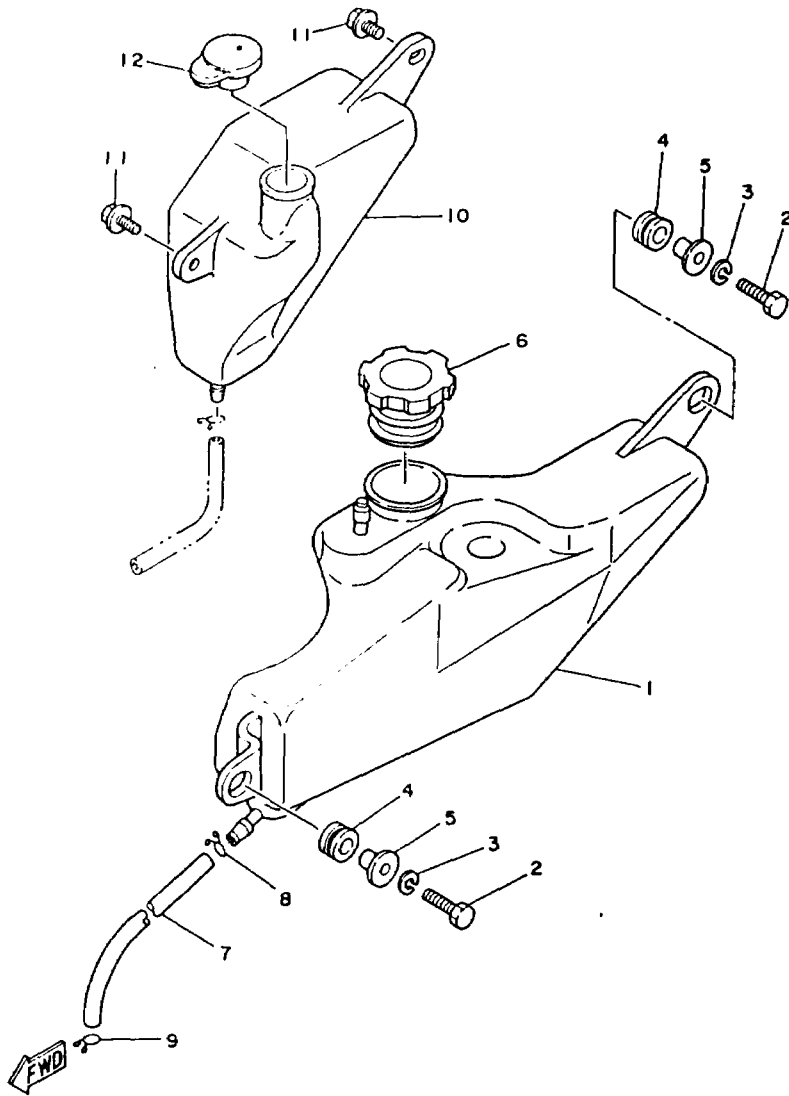
REF. NO.	PART NO.	DESCRIPTION	Q'TY	REMARKS
1	2RH-W2175-00-NJ	SIDE COVER 1	1	UR FARAWAY BLUE
	2RH-W2175-00-36	SIDE COVER 1	1	UR CLEAN WHITE
2	2RH-21781-00	.EMBLEM 1	1	UR FOR W
	2RH-21781-10	.EMBLEM 1	1	UR FOR FWB
3	2RH-2173L-00	.GRAPHIC SET 1	1	UR FOR W
	2RH-2173L-10	.GRAPHIC SET 1	1	UR FOR FWB
4	2RH-21793-00	EMBLEM 3	1	FOR FWB
5	2RH-W2173-00-NJ	SIDE COVER COMP 2	1	UR FARAWAY BLUE
	2RH-W2173-00-36	SIDE COVER COMP 2	1	UR CLEAN WHITE
6	2RH-21782-00	.EMBLEM 2	1	UR FOR W
	2RH-21782-10	.EMBLEM 2	1	UR FOR FWB
7	2RH-2174L-00	.GRAPHIC SET 2	1	UR FOR W
	2RH-2174L-10	.GRAPHIC SET 2	1	UR FOR FWB
8	2RH-21783-00	EMBLEM 3	1	FOR FWB
9	90480-13426	GROMMET	2	
10	90480-01141	GROMMET	4	
11	90154-05001	SCREW, binding	2	
12	90201-062G3	WASHER, plate	2	
13	2RH-2173M-00	SEAL 3	1	
14	2RH-2173N-00	SEAL 4	1	
15	2RH-21747-00	DAMPER	2	
16	34M-2139X-00	DAMPER	2	
17	2RH-2177G-00	BOX, battery	1	
18	90480-01141	GROMMET	1	
19	90119-06044	BOLT, with washer	2	



C8

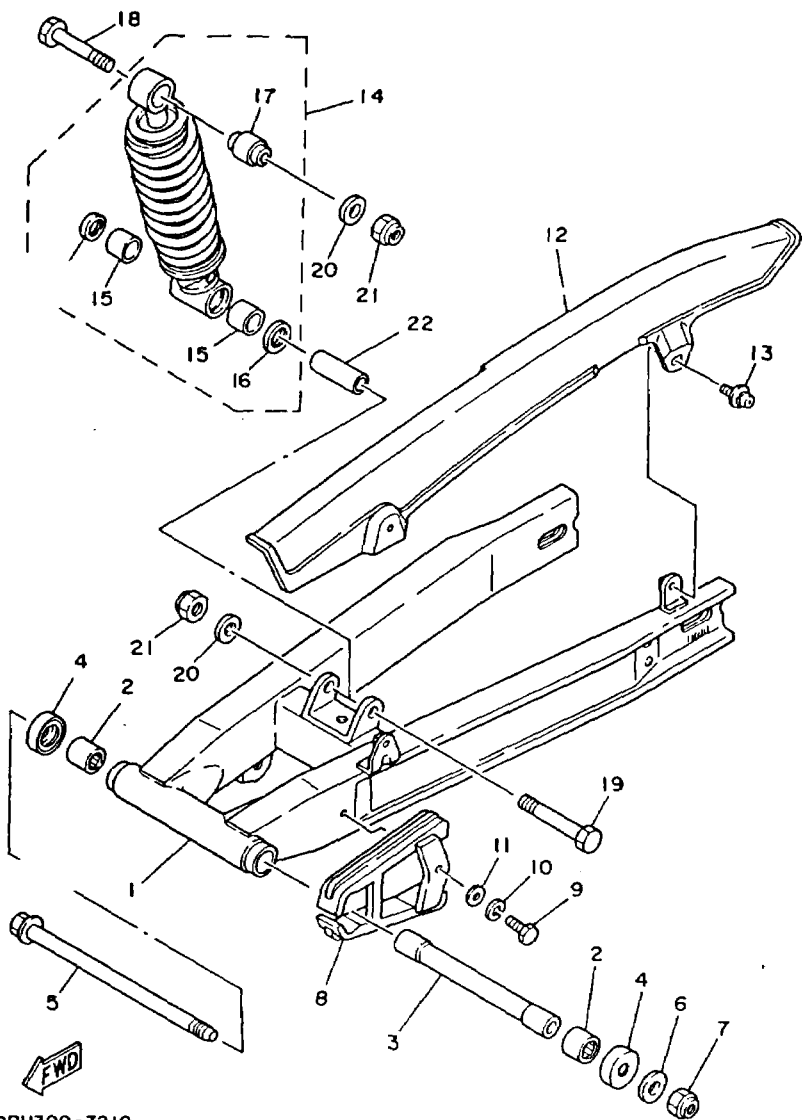
FIG. 20 OIL TANK

REF. NO.	PART NO.	DESCRIPTION	Q'TY	REMARKS
1	2RH-21751-00	TANK, oil	1	
2	97001-06025	BOLT	2	
3	92906-06100	WASHER, spring	2	
4	90480-14433	GROMMET	2	
5	90387-07391	COLLAR	2	
6	14T-21770-00	OIL TANK CAP ASSY	1	
7	90445-09111	HOSE	1	
8	90467-08003	CLIP	1	
9	90467-08003	CLIP	1	
10	2RH-21871-00	TANK, recovery	1	
11	90119-06044	BOLT, with washer	2	
12	4L0-21815-01	CAP	1	



2RH300-7200

FIG. 21 REAR ARM. SUSPENSION

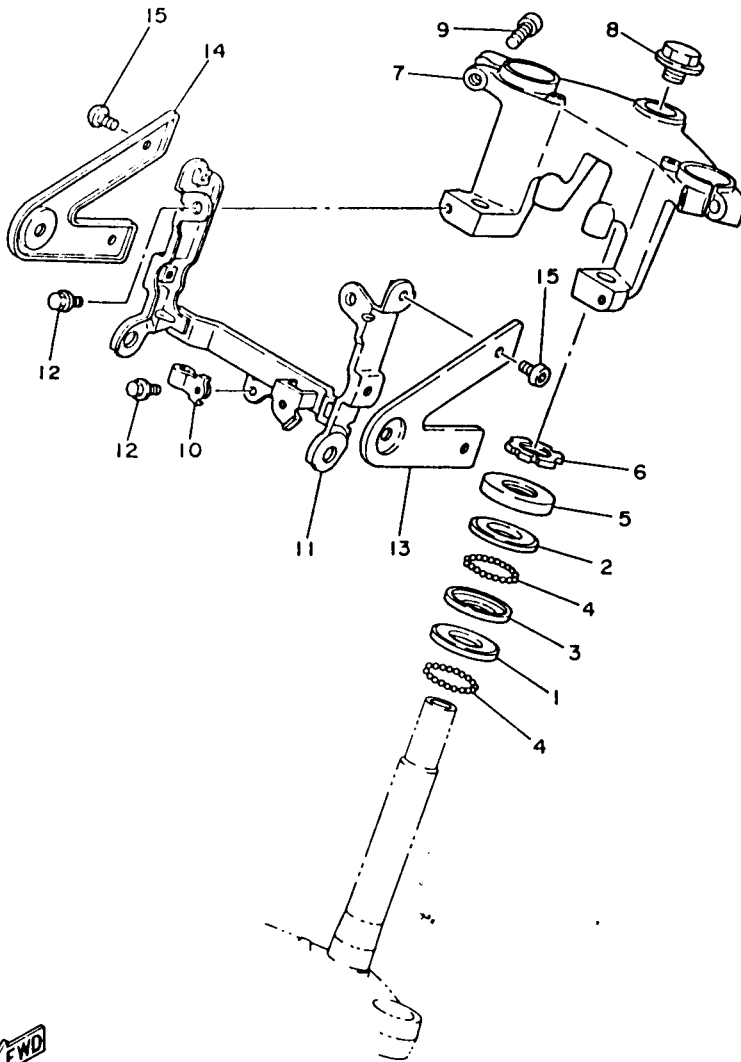


2RH300-7210

REF. NO.	PART NO.	DESCRIPTION	Q'TY	REMARKS
1	2RH-22110-00-35	REAR ARM COMP.	1	SILVER
2	93315-31841	BEARING, cylindrical	2	
3	2RH-22184-00	BUSH	1	
4	401-22128-01	SEAL, guard	2	
5	34X-22141-00	SHAFT, pivot	1	
6	90201-12535	WASHER, plate	1	
7	90185-12046	NUT, self-locking	1	
8	2RH-22151-00	SEAL, guard	1	
9	97313-06016	BOLT	1	
10	92990-06100	WASHER, spring	1	
11	90201-06067	WASHER, plate	1	
12	2RH-22311-00	CASE, chain	1	
13	90159-06084	SCREW, with washer	2	
14	2RH-22210-00	SHOCK ABSORBER ASSY, rear	1	UR FOR S.AFRICA
	2RM-22210-00	SHOCK ABSORBER ASSY, rear	1	UR FOR SINGAPORE
15	90384-18157	.BUSH, bimetal formed	2	
16	93109-18020	.OIL SEAL	2	
17	34L-22216-00	.BUSH, rear shock absorber	1	
18	90101-12558	BOLT	1	
19	90101-12676	BOLT	1	
20	90201-12535	WASHER, plate	2	
21	95601-12100	NUT, u	2	
22	90387-124H0	COLLAR	1	

C10

FIG. 22 STEERING

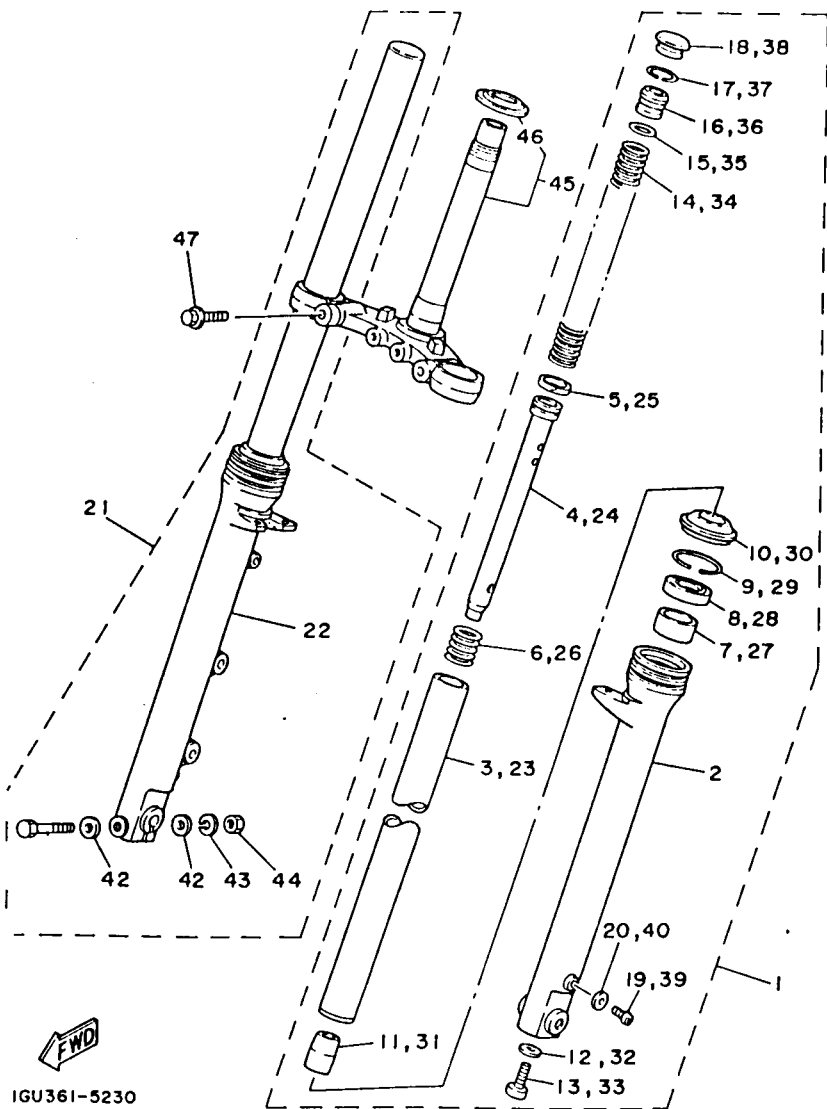


REF. NO.	PART NO.	DESCRIPTION	Q'TY	REMARKS
1	156-23412-00	RACE, ball 2	1	
2	183-23411-00	RACE, ball 1	1	
3	183-23412-00	RACE, ball 2	1	
4	93501-04011	BALL	38	
5	136-23415-00	COVER, ball race 1	1	
6	90179-25033	NUT	1	
7	2RH-23435-00	CROWN, handle	1	
8	90105-14102	BOLT, washer based	1	
9	91311-08035	BOLT	2	
10	90461-08031	CLAMP	1	
11	2RH-23174-00	STAY, headlight	1	
12	95826-06012	BOLT, flange	4	
13	2RH-2317E-00	STAY	1	
14	2RH-2317F-00	STAY 2	1	
15	90149-06215	SCREW	4	

 2RH300-7220

C11

FIG. 23 FRONT FORK

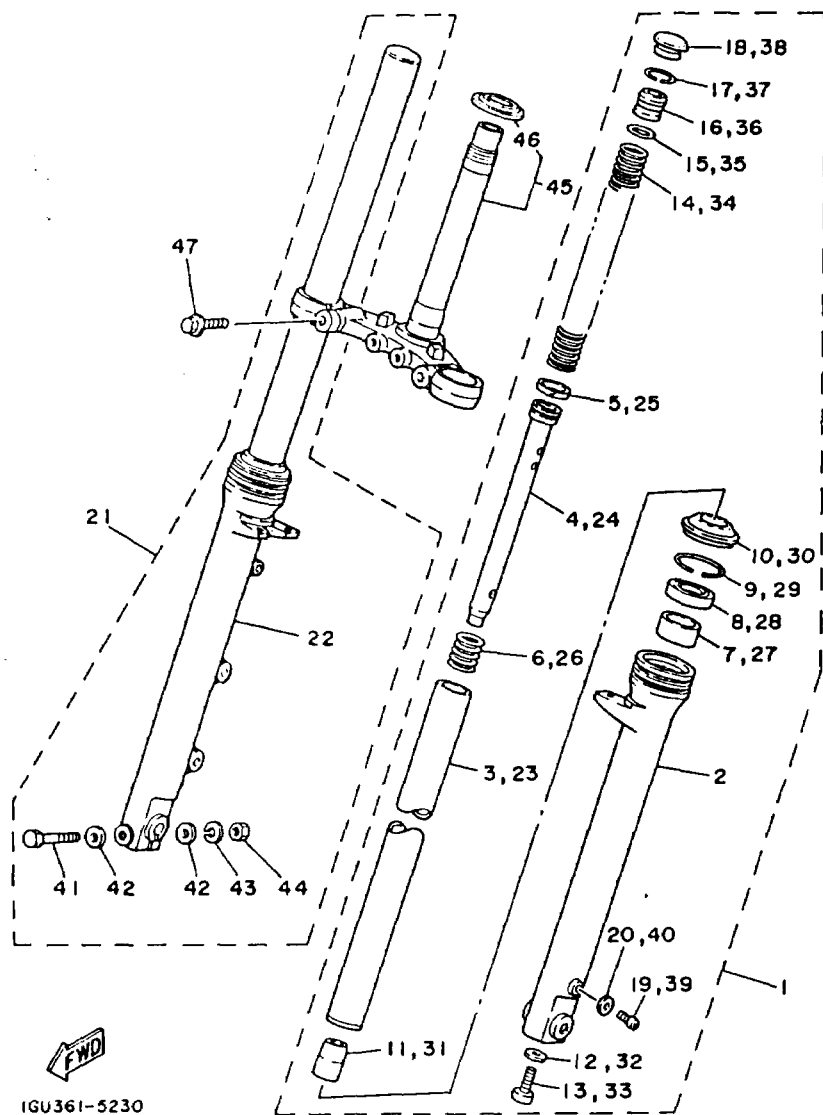


REF. NO.	PART NO.	DESCRIPTION	Q'TY	REMARKS
1	IGV-23102-00	FRONT FORK ASSY (L.H)	1	
2	IGU-23126-00-38	.TUBE, outer 1	1	CLEAR BUFFING
3	IGU-23110-00	.INNER TUBE COMP.1	1	
4	IGV-23171-00	.PISTON, front fork	1	
5	IGU-23157-00	.RING, piston	1	
6	IGU-23151-00	.SPRING, rebound	1	
7	IGU-23125-00	.METAL, slide 1	1	
8	93110-33018	.OIL SEAL	1	
9	93450-46113	.CIRCLIP	1	
10	IGU-23144-00	.SEAL, dust	1	
11	IGU-23173-00	.SPINDLE, taper	1	
12	90430-08155	.GASKET	1	
13	91311-08025	.BOLT	1	
14	IGU-23141-00	.SPRING, front fork	1	
15	93210-23587	.O-RING	1	
16	IGU-23111-00	.BOLT, cap	1	
17	93450-31114	.CIRCLIP	1	
18	IGU-23154-00	.PLUG, inner tube	1	
19	98501-04006	.SCREW, pan head	1	
20	5U8-23129-00	.GASKET, drain plug	1	
21	IGV-23103-00	FRONT FORK ASSY (R.H)	1	
22	IGU-23136-00-38	.TUBE, outer 2	1	CLEAR BUFFING
23	IGU-23110-00	.INNER TUBE COMP.1	1	
24	IGV-23171-00	.PISTON, front fork	1	
25	IGU-23157-00	.RING, piston	1	
26	IGU-23151-00	.SPRING, rebound	1	
27	IGU-23125-00	.METAL, slide 1	1	
28	93110-33018	.OIL SEAL	1	

C12

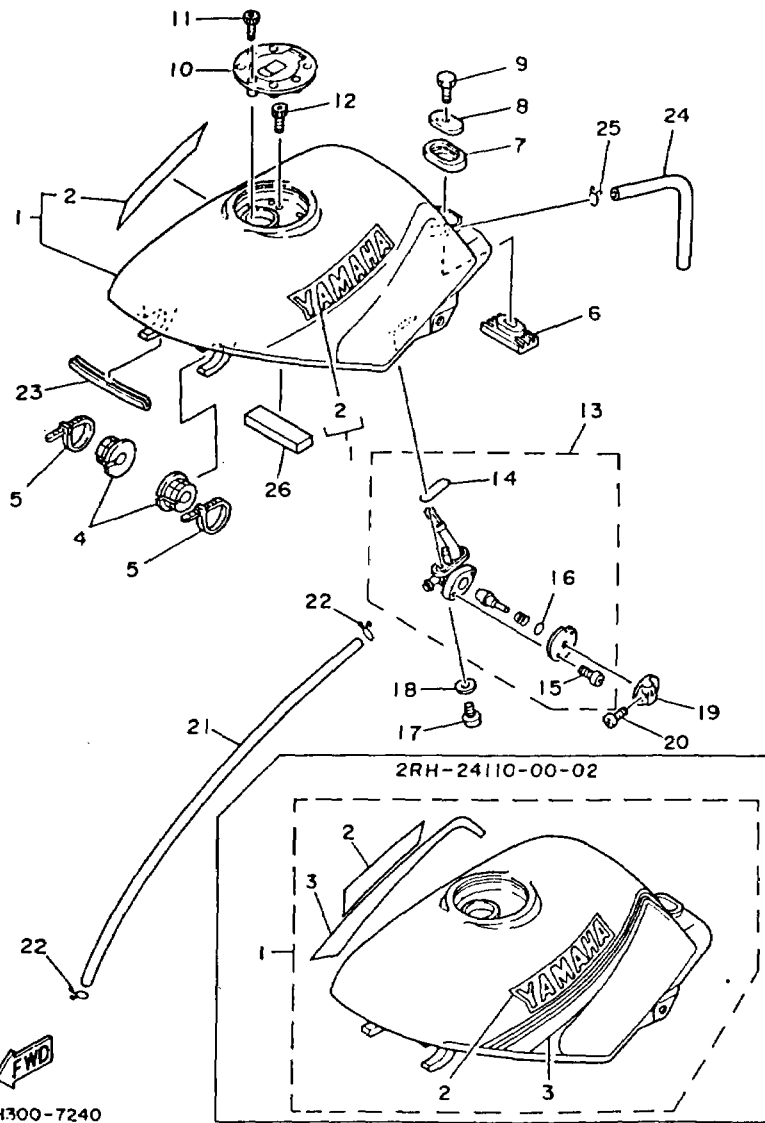
IGU361-5230

FIG. 23 FRONT FORK



REF. NO.	PART NO.	DESCRIPTION	Q'TY	REMARKS
29	93450-46113	.CIRCLIP	1	
30	1GU-23144-00	.SEAL, dust	1	
31	1GU-23173-00	.SPINDLE, taper	1	
32	90430-08155	.GASKET	1	
33	91311-08025	.BOLT	1	
34	1GU-23141-00	.SPRING, front fork	1	
35	93210-23587	.O-RING	1	
36	1GU-23111-00	.BOLT, cap	1	
37	93450-31114	.CIRCLIP	1	
38	1GU-23154-00	.PLUG, inner tube	1	
39	98501-04006	.SCREW, pan head	1	
40	5U8-23129-00	.GASKET, drain plug	1	
41	97321-08060	.BOLT	1	
42	92901-08600	.WASHER, plate	2	
43	92990-08100	.WASHER, spring	1	
44	95311-08600	.NUT	1	
45	1GM-23340-00-33	UNDER BRACKET COMP.	1	YAMAHA BLACK
46	156-23411-00	.RACE, ball 1	1	
47	95821-10035	BOLT, flange	2	

FIG. 24 FUEL TANK



2RH300-7240

REF. NO.	PART NO.	DESCRIPTION	Q'TY	REMARKS
1	2RH-24110-00-01	FUEL TANK COMP.	1	UR WHITE/CHAMPPY RED
	2RH-24110-00-02	FUEL TANK COMP.	1	UR FARAWAY BLUE
2	2RH-24161-00	.EMBLEM 1	2	
3	2RH-24240-00	.GRAPHIC SET	1	FOR FWD
4	46X-24181-00	DAMPER, locating 1	2	
5	12R-82591-00	BAND	2	
6	1AE-24183-00	DAMPER, locating 3	1	
7	3Y6-24183-00	DAMPER, locating 3	1	
8	12R-24186-00	WASHER, special	1	
9	98002-08030	BOLT	1	
10	1JK-24602-02	CAP ASSY	1	
11	90110-05112	BOLT, hexagon socket head	3	
12	91311-05010	BOLT	1	
13	2RH-24500-00	FUEL COCK ASSY 1	1	
14	4X8-24512-00	.GASKET	1	
15	97801-03008	.SCREW, pan head	2	
16	4X8-24534-00	.SEAL, cock	1	
17	90149-06011	SCREW	2	
18	90202-06010	WASHER, plate	2	
19	29L-24524-01	LEVER, cock	1	
20	98506-03008	SCREW, pan head	1	
21	90445-102F4	HOSE	1	
22	90467-09006	CLIP	2	
23	1HX-24188-01	MOLD, fuel tank	1	
24	90445-10366	HOSE	1	
25	90467-09006	CLIP	1	
26	1KT-2414G-00	SEAL	1	

C14

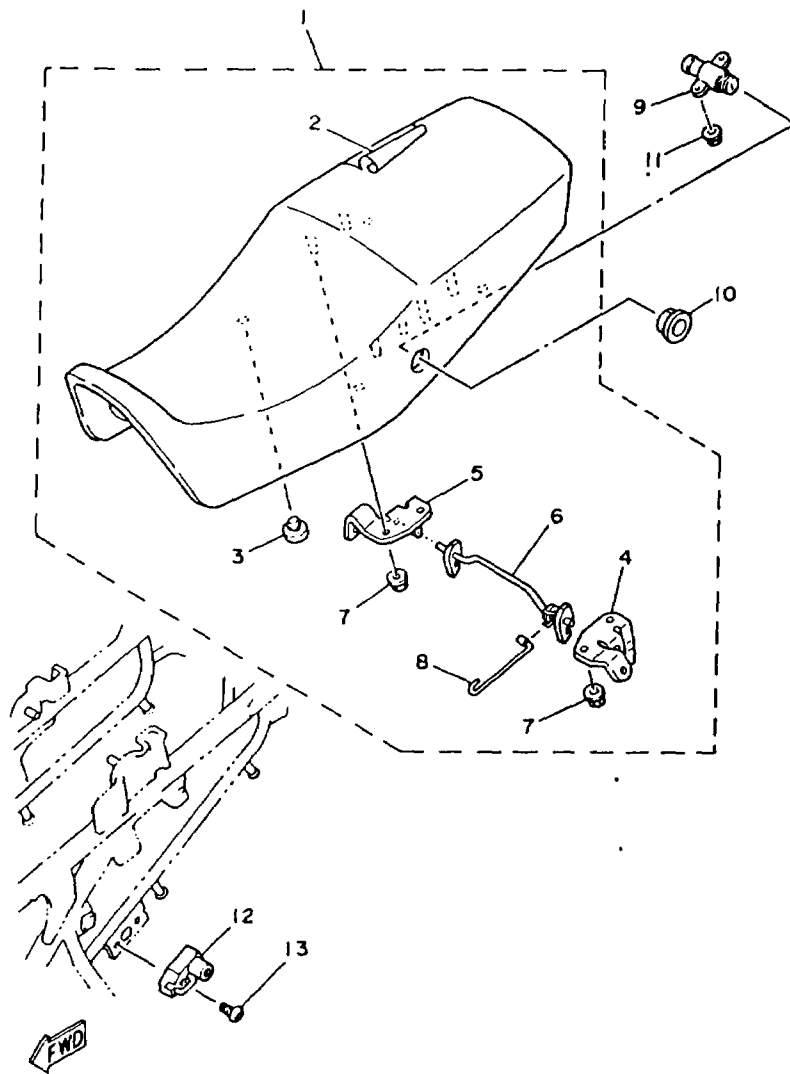
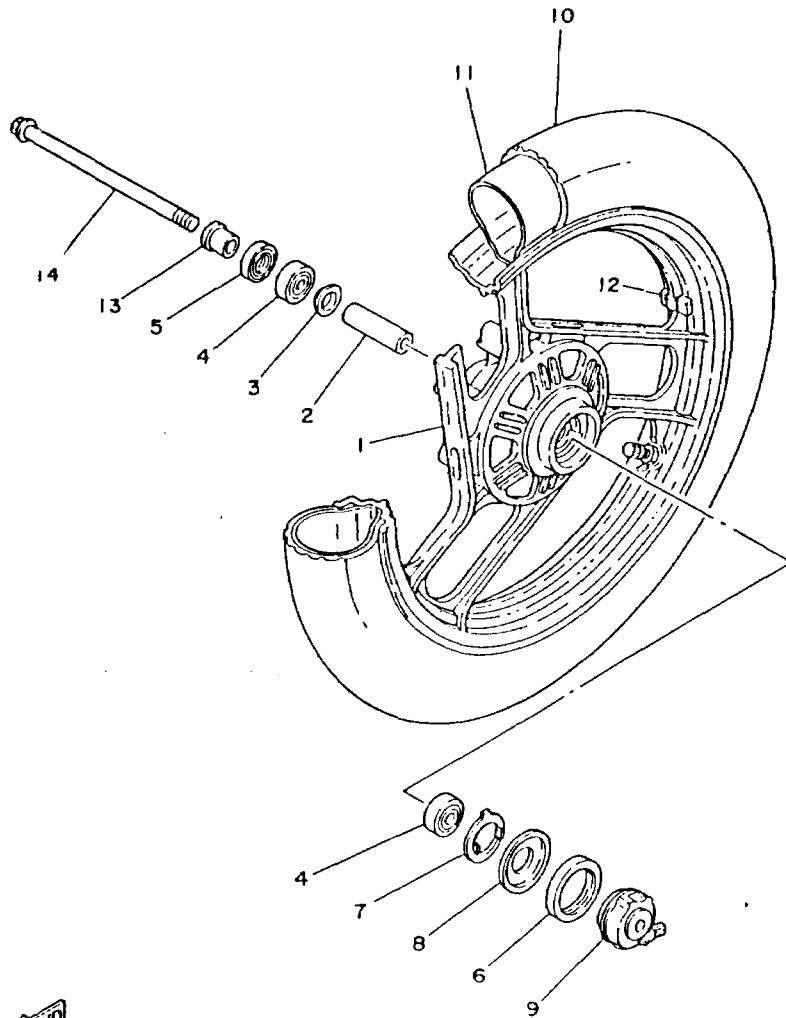


FIG. 25 SEAT

REF. NO.	PART NO.	DESCRIPTION	Q'TY	REMARKS
1	2RH-24730-00	DOUBLE SEAT ASSY	1	UR BLACK
	2RH-24730-10	DOUBLE SEAT ASSY	1	UR BLUE
2	2RH-24731-00	.COVER, seat	1	UR BLACK
	2RH-24731-10	.COVER, seat	1	UR BLUE
3	22W-24741-00	.PAD, seat	4	
4	1KT-24718-00	.BRACKET, seat	1	
5	1KT-24728-00	.BRACKET, seat	1	
6	2RH-24776-00	.LEVER, seat	1	
7	95701-06500	.NUT, flange	4	
8	1KT-2478F-00	.ROD, connecting	1	
9	51X-24705-00	SEAT LOCK ASSY	1	
10	47X-24796-00	COVER	1	
11	95701-05500	NUT, flange	2	
12	26H-21308-00	HELMET HANGER ASSY	1	
13	90149-06150	SCREW	1	

2RH300-7250

FIG. 26 FRONT WHEEL



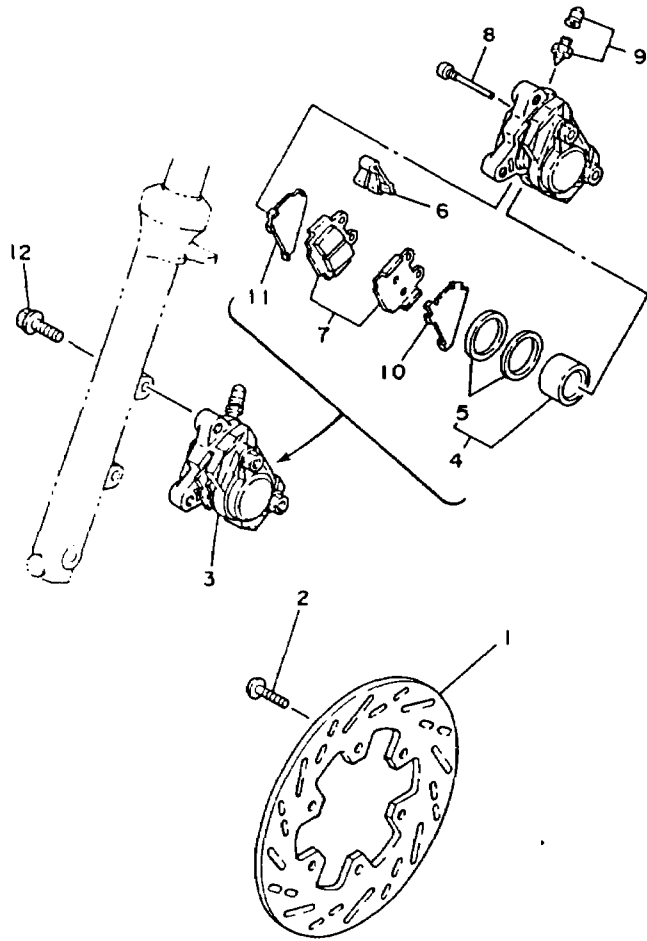
REF. NO.	PART NO.	DESCRIPTION	Q'TY	REMARKS
1	2HK-25168-00-FH	CAST WHEEL, front	1	UR FIRE RED
	2HK-25168-00-BL	CAST WHEEL, front	1	UR NEBULAR GOLD
2	90387-123A9	COLLAR	1	
3	109-25315-00	FLANGE, spacer	1	
4	93306-30101	BEARING (B6301)	2	
5	93106-20002	OIL SEAL	1	
6	93105-45017	OIL SEAL	1	
7	341-25149-00	CLUTCH, meter	1	
8	341-25846-00	RETAINER, clutch	1	
9	464-25190-00	GEAR UNIT ASSY	1	
10	94109-162R3	TIRE (90/90-16 48P)	1	UR DUNLOP
	94109-162R5	TIRE (90/90-16 48P)	1	UR INOUE
11	94227-16201	TUBE (2.75-16)	1	UR DUNLOP
	94230-16075	TUBE (3.00-16)	1	UR INOUE
12	29L-25398-00	BALANCER, wheel (10G)	1	UN
	29L-25398-10	BALANCER, wheel (20G)	1	UN
	29L-25398-20	BALANCER, wheel (30G)	1	UN
13	90387-127E0	COLLAR	1	
14	51Y-25181-00	AXLE, wheel	1	



2RH300-7260

D2

FIG. 27 FRONT BRAKE CALIPER



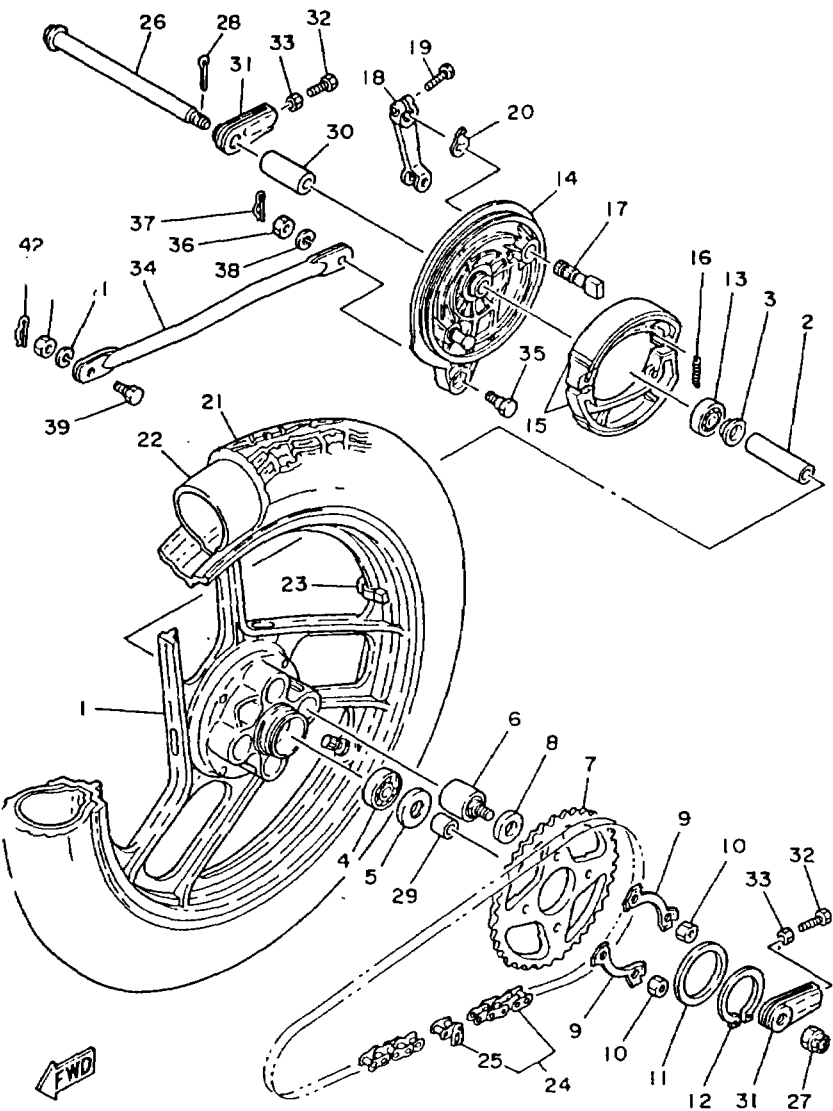
REF. NO.	PART NO.	DESCRIPTION	Q'TY	REMARKS
1	1HX-25831-00	DISC, brake (RIGHT)	1	
2	90109-08718	BOLT	6	
3	2RH-25810-00	CALIPER ASSY (RIGHT)	1	
4	51L-W0057-00	.PISTON ASSY, caliper	1	
5	51L-W0047-00	..CALIPER SEAL KIT	1	
6	51L-25919-00	.SUPPORT, pad	1	
7	51L-W0046-01	.BRAKE PAD KIT, rear	1	
8	51L-25924-00	.PIN, pad	2	
9	51L-W0048-00	.BREED SCREW KIT	1	
10	51L-25827-00	.SHIM, caliper	1	
11	51L-25827-10	.SHIM, caliper	1	
12	90105-10308	BOLT, washer based	2	



2RH300-7270

D3

FIG. 28 REAR WHEEL.

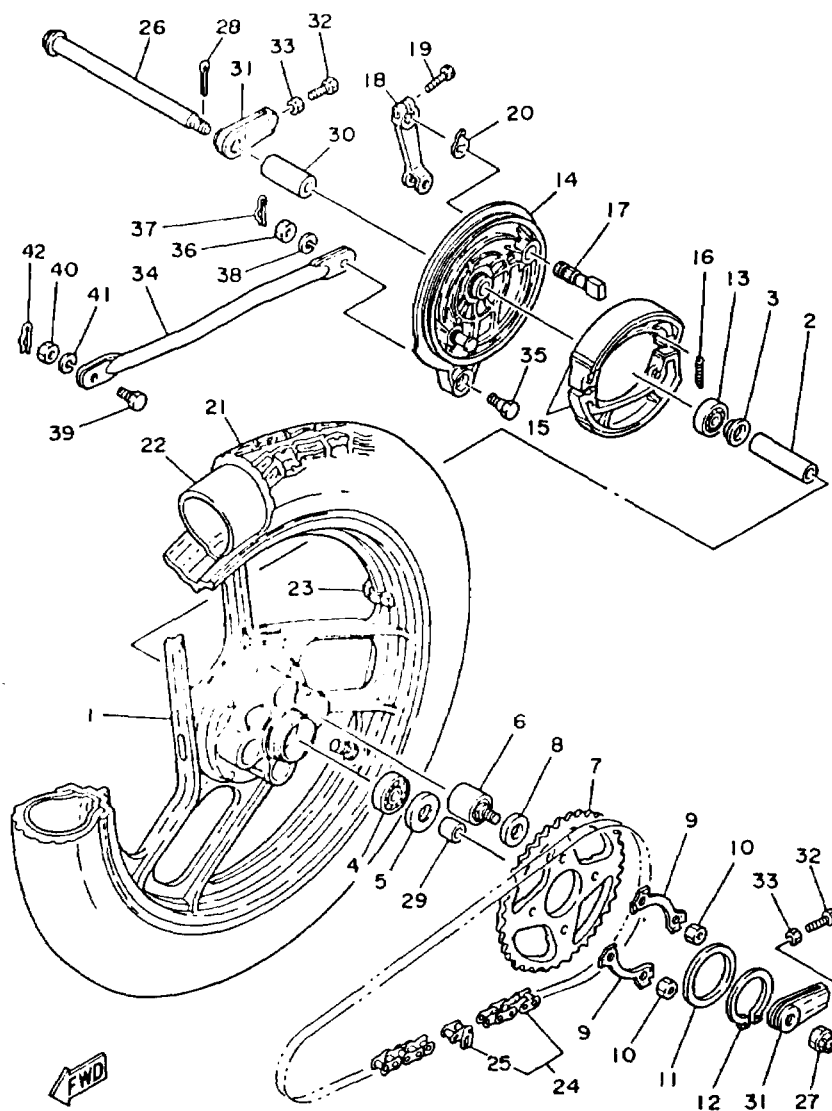


2RH300-7280

RFF. NO.	PART NO.	DESCRIPTION	Q'TY	REMARKS
1	2HK-25338-20-FH	CAST WHEEL, rear	1	UR FIRE RED
	2HK-25338-20-BL	CAST WHEEL, rear	1	UR NEBULAR GOLD
2	90560-15218	SPACER	1	
3	183-25315-00	FLANGE, spacer	1	
4	93306-30203	BEARING (B6302Z)	1	
5	93102-22014	OIL SEAL	1	
6	4L1-25364-00	DAMPER	4	
7	12A-25445-10-33	SPROCKET, driven (45T)	1	YAMAHA BLACK
8	90560-23219	SPACER	4	
9	5H0-25412-00	WASHER	2	
10	90170-10219	NUT	4	
11	90201-543E4	WASHER, plate	1	
12	93410-52034	CIRCLIP	1	
13	93306-20213	BEARING	1	
14	2RH-25321-00-FH	PLATE, brake shoe	1	UR FIRE RED
	2RH-25321-00-BL	PLATE, brake shoe	1	UR NEBULAR GOLD
15	437-W2536-00	BRAKE SHOE SET	1	
16	90506-16036	SPRING, tension	2	
17	2RH-25351-00	CAMSHAFT	1	
18	1L9-25355-00	LEVER, camshaft	1	
19	90101-06291	BOLT	1	
20	3Y6-2533A-01	PLATE, indicator	1	
21	94110-182R4	TIRE (100/90-18 56P)	1	UR DUNLOP
	94110-182R6	TIRE (100/90-18 56P)	1	UR INOUE
22	94241-18153	TUBE (4.10-18)	1	UR BRIDGESTONE
	94235-18085	TUBE (3.50-18)	1	UR YOKOHAMA
23	1A1-25398-01	BALANCER, wheel (20G)	1	UR
	1A1-25399-00	BALANCER, wheel (10G)	1	UR

D4

FIG. 28 REAR WHEEL



REF. NO.	PART NO.	DESCRIPTION	Q'TY	REMARKS
23	2M0-25399-00	BALANCER, wheel (30G)	1	UN
24	94580-30130	CHAIN (D.I.D 428H-130L)	1	
25	94680-30001	.JOINT, chain (D.I.D 428H)	1	
26	2RH-25381-00	AXLE, wheel	1	
27	90171-14020	NUT, castle	1	
28	91401-30030	PIN, cotter	1	
29	90387-15765	COLLAR	1	
30	90387-157F0	COLLAR	1	
31	4L0-25389-00	PULLER, chain 2	2	
32	90101-08475	BOLT	2	
33	95303-08700	NUT	2	
34	10W-25371-00	BAR, tension	1	
35	90109-08063	BOLT	1	
36	95303-08700	NUT	1	
37	90468-10050	CLIP	1	
38	92990-08100	WASHER, spring	1	
39	90109-08368	BOLT	1	
40	95303-08600	NUT	1	
41	92990-08100	WASHER, spring	1	
42	90468-10050	CLIP	1	

2RH300-7280



D5

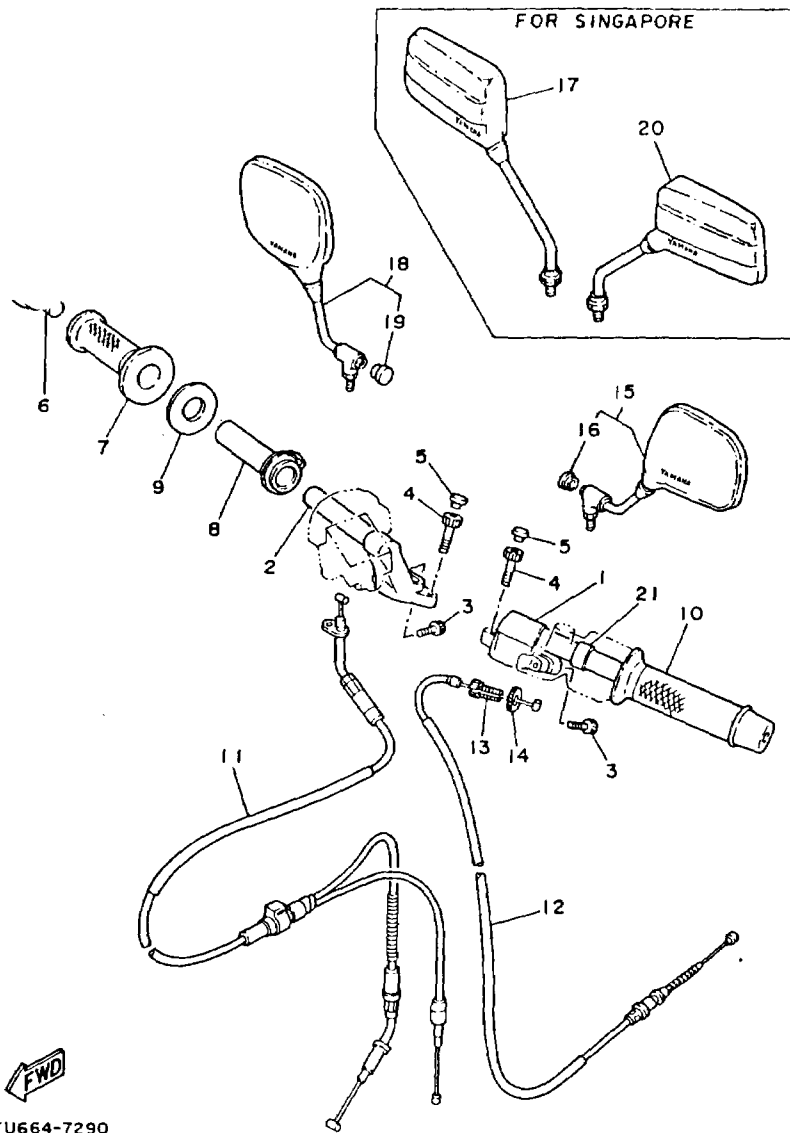


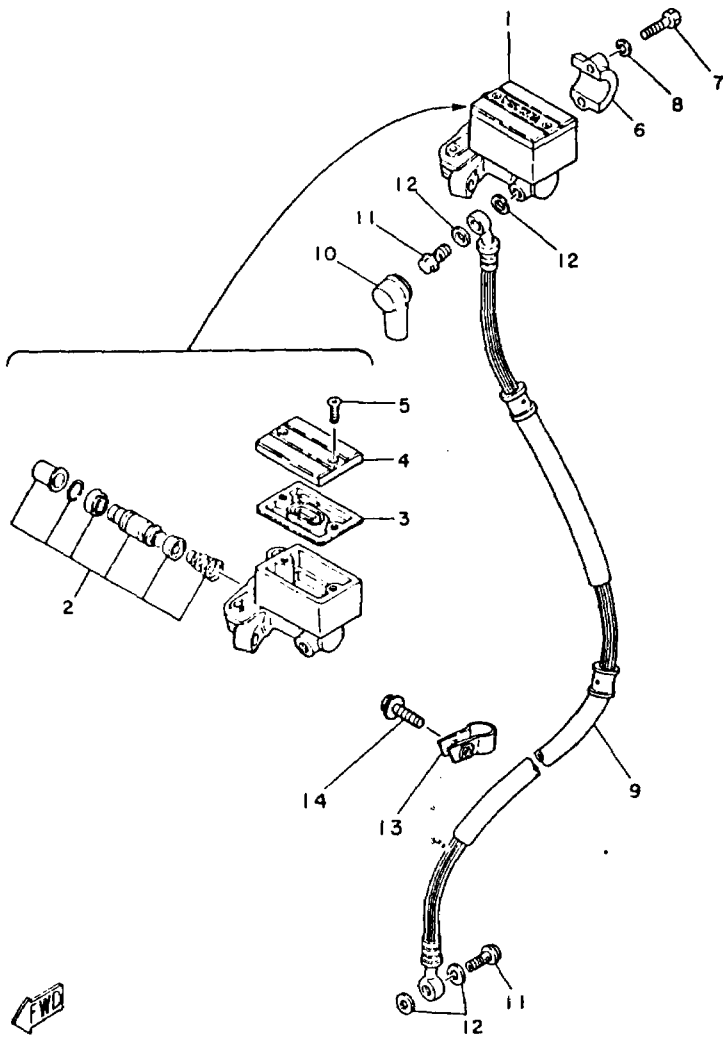
FIG. 29 STEERING HANDLE. CABLE

REF. NO.	PART NO.	DESCRIPTION	Q'TY	REMARKS
1	1GU-26121-00-35	HANDLEBAR (LEFT)	1	SILVER
2	1GU-26122-00-35	HANDLEBAR (RIGHT)	1	SILVER
3	91311-08025	BOLT	2	
4	91311-06020	BOLT	2	
5	2H9-23469-00	CAP, bolt	2	
6	1GU-26246-00	END, grip	2	
7	47X-26242-00	GRIP (R.H)	1	
8	1GU-26243-00	TUBE, throttle guide	1	
9	47X-26249-00	RING, leaf	1	
10	47X-26241-00	GRIP (L.H)	1	
11	2RH-26260-00	CABLE ASSY, throttle & pump	1	
12	2RH-26335-00	CABLE, clutch	1	
13	90123-08083	BOLT	1	
14	90179-08316	NUT	1	
15	36Y-26290-00	BACK MIRROR ASSY (LEFT)	1	UR FOR S.AFRICA
16	36Y-26133-00	.CAP	1	
17	11U-26290-80	BACK MIRROR ASSY (RIGHT)	1	UR FOR SINGAPORE
18	36Y-26290-T0	BACK MIRROR ASSY (RIGHT)	1	UR FOR S.AFRICA
19	36Y-26133-00	.CAP	1	
20	11U-26290-11	BACK MIRROR ASSY (LEFT)	1	UR FOR SINGAPORE
21	90387-22591	COLLAR	1	

2TU664-7290

D6

FIG. 30 FRONT MASTER CYLINDER



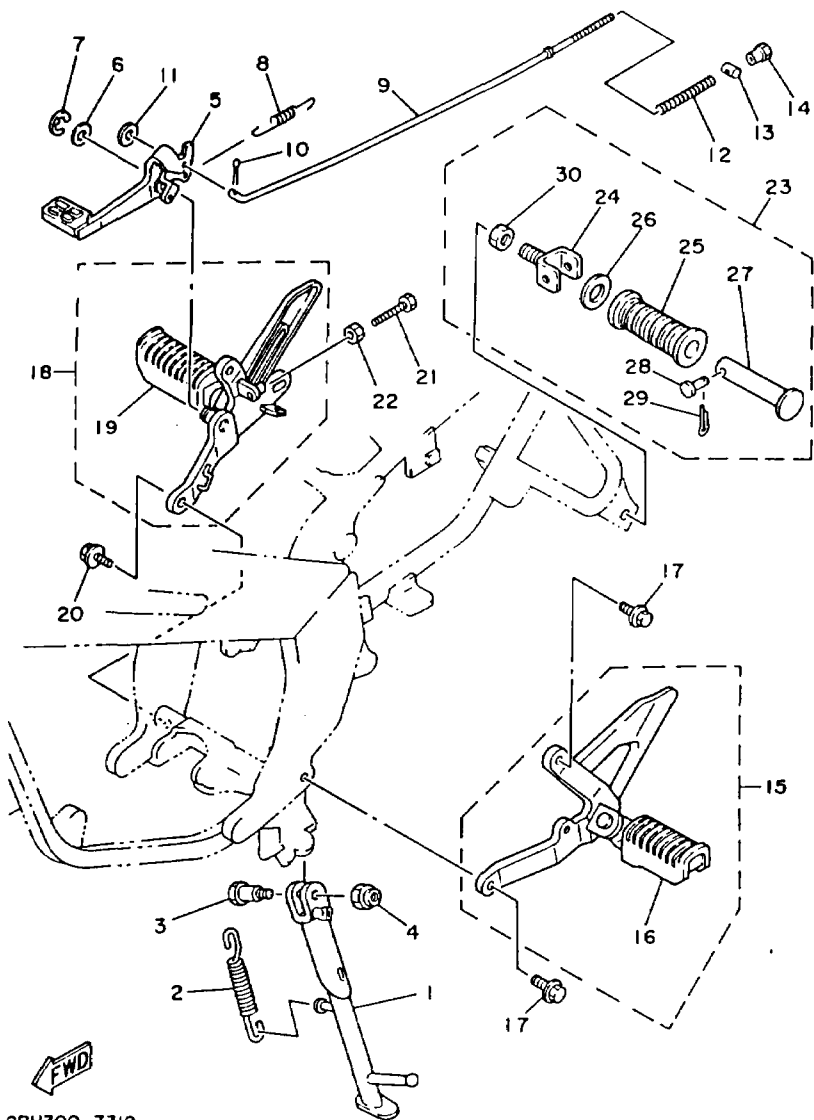
REF. NO.	PART NO.	DESCRIPTION	Q'TY	REMARKS
1	4L0-25850-02	MASTER CYLINDER ASSY	1	
2	4L0-W0041-00	.CYLINDER KIT, master	1	
3	4L0-25854-00	.DIAPHRAGM, reservoir	1	
4	1UY-25852-00	.CAP, reservoir	1	
5	98706-04012	.SCREW, flat head	2	
6	4L0-25867-00	BRACKET, master cylinder	1	
7	97316-06025	BOLT	2	
8	92906-06100	WASHER, spring	2	
9	1GU-25872-01	HOSE, brake 1	1	
10	4L0-25862-00	BOOT, master cylinder	1	
11	90401-10096	BOLT, union	2	
12	90201-10118	WASHER, plate	4	
13	2R8-25876-00	HOLDER, brake hose 2	1	
14	95023-06025	BOLT, flange	1	



IGU361-5300

D7

FIG. 31 STAND, FOOTREST

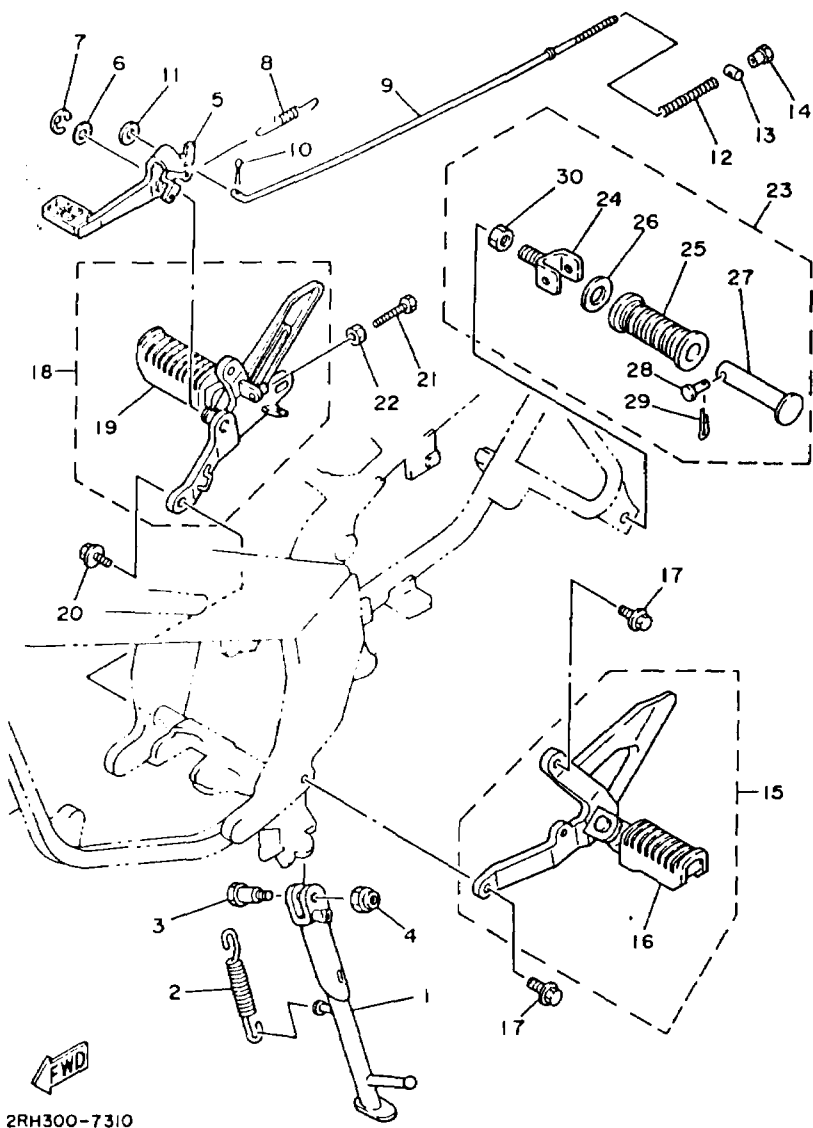


2RH300-7310

REF. NO.	PART NO.	DESCRIPTION	Q'TY	REMARKS
1	2RH-27311-00-33	STAND, side	1	YAMAHA BLACK
2	90507-29033	SPRING, tension	1	
3	90109-100E8	BOLT	1	
4	90185-10120	NUT, self-locking	1	
5	2RH-27211-00	PEDAL, brake	1	
6	90201-14212	WASHER, plate	1	
7	93430-10015	CIRCLIP	1	
8	90506-20369	SPRING, tension	1	
9	2RH-27231-00	ROD, brake	1	
10	91401-20015	PIN, cotter	1	
11	92901-06600	WASHER, plate	1	
12	90501-10245	SPRING, compression	1	
13	90249-12008	PIN	1	
14	90179-06176	NUT	1	
15	2RH-27410-00-35	FRONT FOOTREST ASSY (LEFT)	1	SILVER
16	4L0-27423-00	.COVER, footrest	1	
17	91021-08020	BOLT, flange	2	
18	2RH-27420-00-35	FRONT FOOTREST ASSY (RIGHT)	1	SILVER
19	4L0-27423-00	.COVER, footrest	1	
20	91021-08020	BOLT, flange	2	
21	90101-06478	BOLT	1	
22	95303-06600	NUT	1	
23	120-27430-02	REAR FOOTREST ASSY 1	2	
24	120-27432-02	.BRACKET 1	1	
25	120-27433-00	.COVER, rear footrest	1	
26	90201-20279	.WASHER, plate	1	
27	120-27431-00	.FOOTREST, rear 1	1	
28	90240-06009	.PIN, clevis	1	

D8

FIG. 31 STAND. FOOTREST



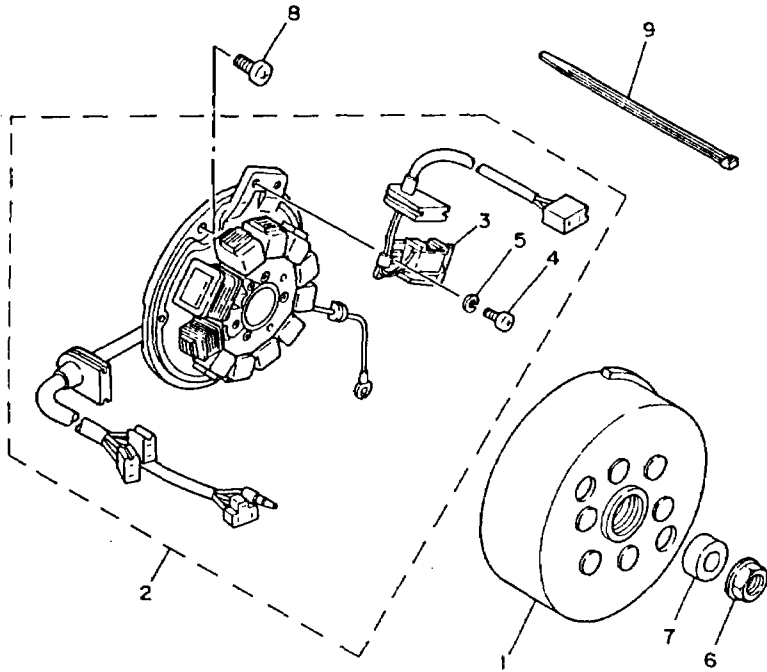
2RH300-7310

REF. NO.	PART NO.	DESCRIPTION	Q'TY	REMARKS
29	91401-16015	.PIN, cotter	1	
30	95301-12700	.NUT	1	

D9

FIG. 32 GENERATOR

RFF. NO.	PART NO.	DESCRIPTION	Q'TY	REMARKS
1	2RH-85550-M0	ROTOR ASSY	1	
2	2RH-85560-M0	BASE ASSY	1	
3	34X-85595-M0	.COIL, pulser	1	
4	98580-04010	.SCREW, pan head	2	
5	92901-04100	.WASHER, spring	2	
6	90179-12323	NUT	1	
7	90201-123L6	WASHER, plate	1	
8	92501-06014	SCREW, pan head	2	
9	5Y9-12491-00	CLAMP 1	2	



2RH300-7320

D10

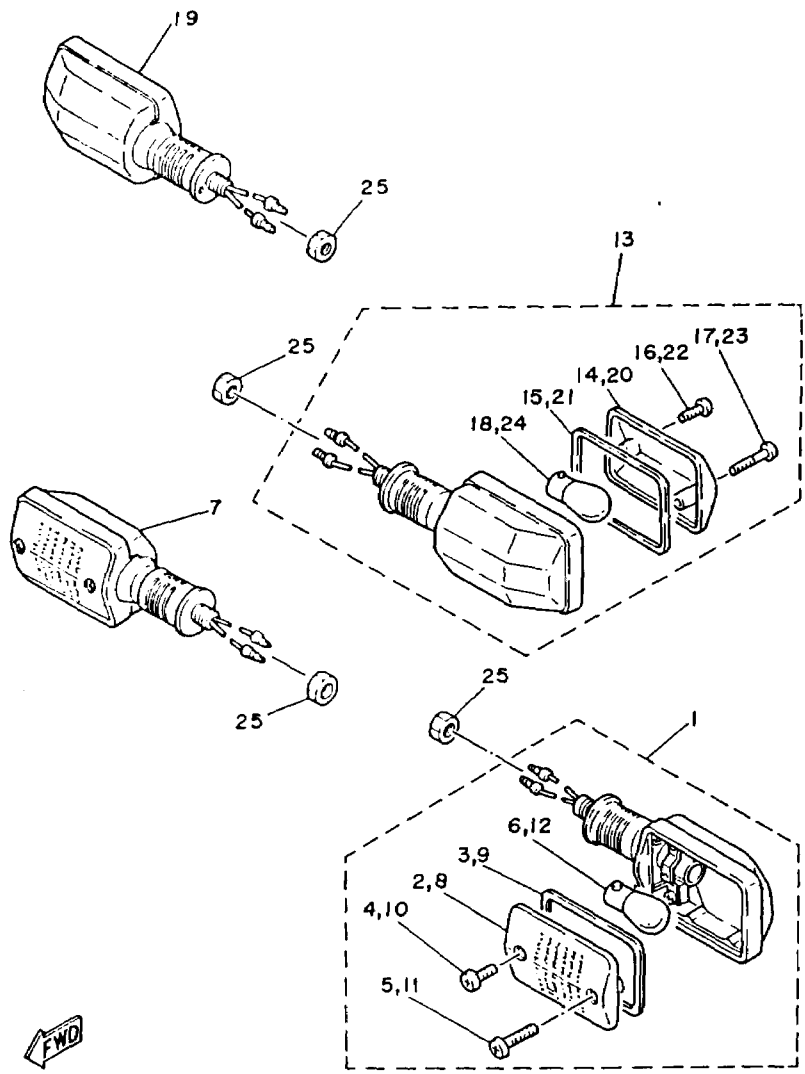
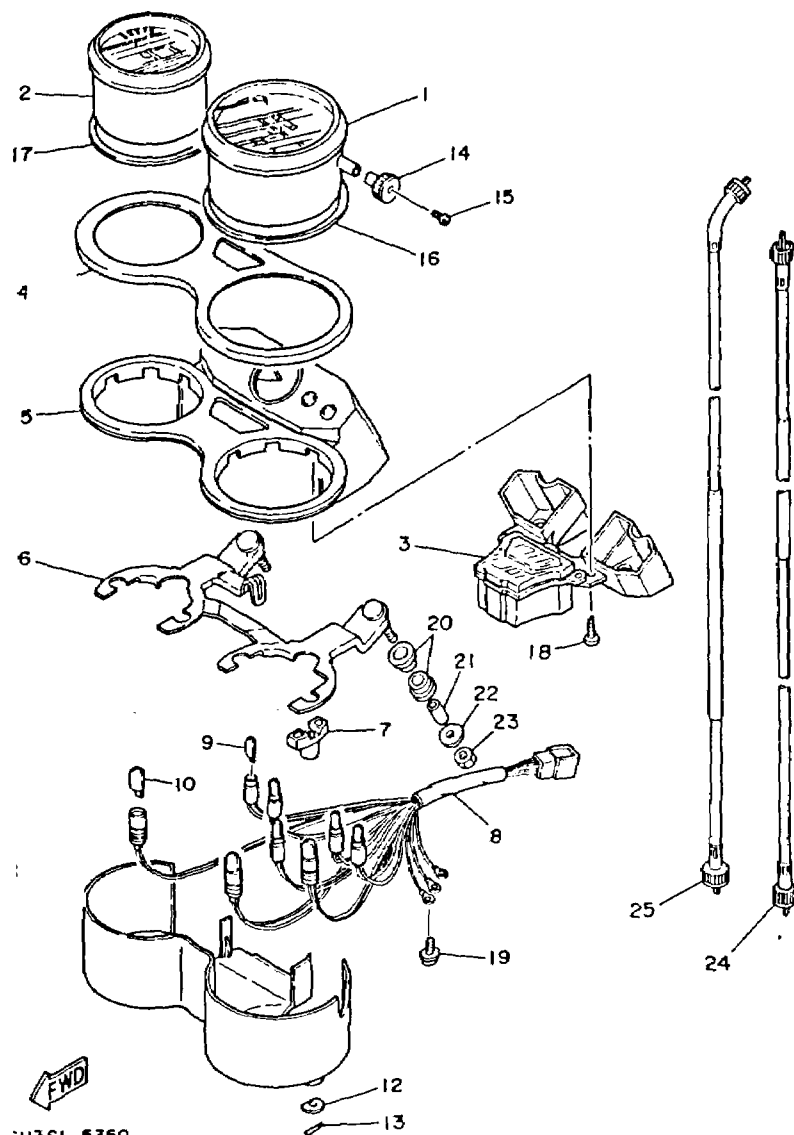


FIG. 33 FLASHER LIGHT

REF. NO.	PART NO.	DESCRIPTION	Q'TY	REMARKS
1	5Y3-83310-21	FRONT FLASHER LIGHT ASSY 1	1	
2	5Y1-83312-00	.LENS, flasher	1	
3	5Y1-83313-00	.GASKET, flasher lens	1	
4	98511-04012	.SCREW, pan head	1	
5	97701-40530	.SCREW, tapping	1	
6	306-83311-40	.BULB, flasher (12V-21W)	1	
7	5Y3-83320-21	FRONT FLASHER LIGHT ASSY 2	1	
8	5Y1-83312-00	.LENS, flasher	1	
9	5Y1-83313-00	.GASKET, flasher lens	1	
10	98511-04012	.SCREW, pan head	1	
11	97702-40630	.SCREW, tapping	1	
12	306-83311-40	.BULB, flasher (12V-21W)	1	
13	37A-83330-21	REAR FLASHER LIGHT ASSY 1	1	
14	5Y1-83312-00	.LENS, flasher	1	
15	5Y1-83313-00	.GASKET, flasher lens	1	
16	98511-04012	.SCREW, pan head	1	
17	97702-40630	.SCREW, tapping	1	
18	306-83311-40	.BULB, flasher (12V-21W)	1	
19	37A-83340-21	REAR FLASHER LIGHT ASSY 2	1	
20	5Y1-83312-00	.LENS, flasher	1	
21	5Y1-83313-00	.GASKET, flasher lens	1	
22	98511-04012	.SCREW, pan head	1	
23	97702-40630	.SCREW, tapping	1	
24	306-83311-40	.BULB, flasher (12V-21W)	1	
25	95316-12700	NUT	4	


2RH300-7330

D11

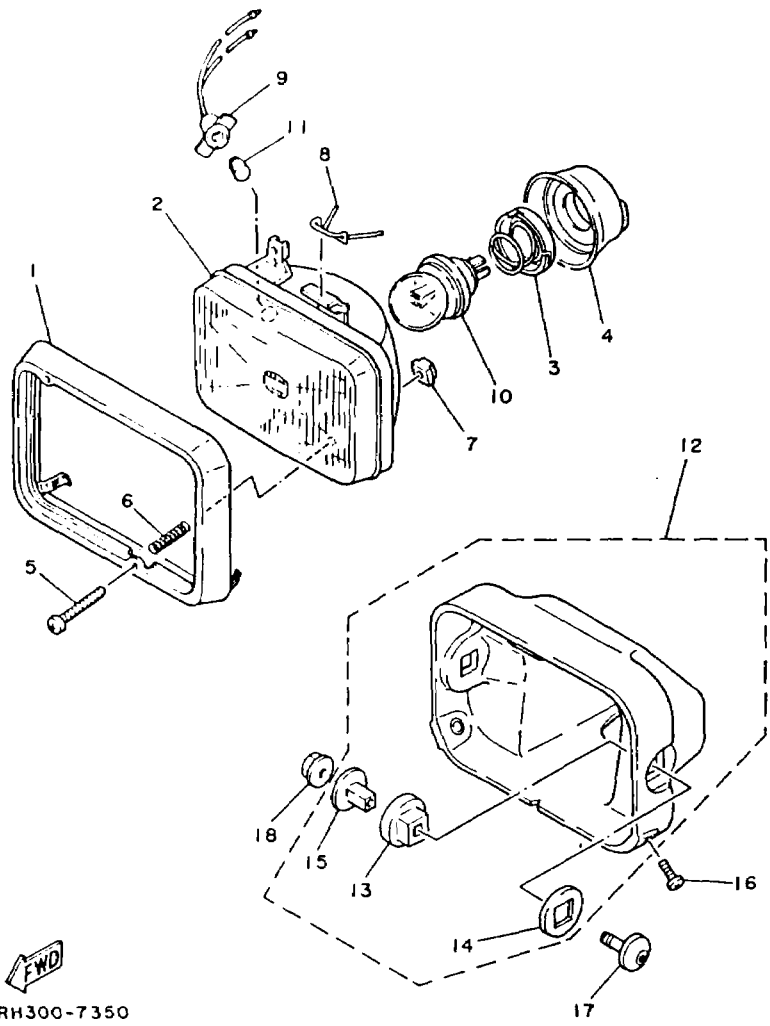


3U361-5350

FIG. 34 METER

REF. NO.	PART NO.	DESCRIPTION	Q'TY	REMARKS
1	56K-83570-F0	SPEEDOMETER ASSY	1	
2	51Y-83540-00	TACHOMETER ASSY	1	
3	2RH-83590-00	WATER TEMPERATURE ASSY	1	
4	1GU-83611-00	PANEL, meter	1	
5	1GU-83568-00	PILOT BOX, upper	1	
6	51Y-83519-00	BRACKET, meter	1	
7	51Y-83523-00	DAMPER	4	
8	1GU-83509-00	SOCKET CORD ASSY	1	
9	42X-83517-00	BULB (12V-3W)	5	
10	4G1-84744-00	BULB (12V-3.4W)	3	
11	51Y-83579-00	COVER, meter 2	1	
12	51Y-83524-00	WASHER, special	4	
13	90468-10050	CLIP	4	
14	12R-83578-00	KNOB, trip meter	1	
15	90157-02031	SCREW, pan head	1	
16	51Y-83513-00	DAMPER	1	
17	51Y-83541-00	DAMPER	1	
18	90164-04005	SCREW, tapping	4	
19	90159-03102	SCREW, with washer	3	
20	2J2-83541-00	DAMPER	4	
21	90387-06249	COLLAR	2	
22	90201-06059	WASHER, plate	2	
23	95316-06600	NUT	2	
24	11L-83550-00	SPEEDOMETER CABLE ASSY	1	
25	1GU-83560-02	TACHOMETER CABLE ASSY	1	

D12



FWD
2RH300-7350

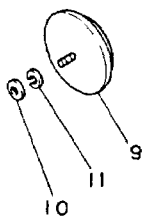
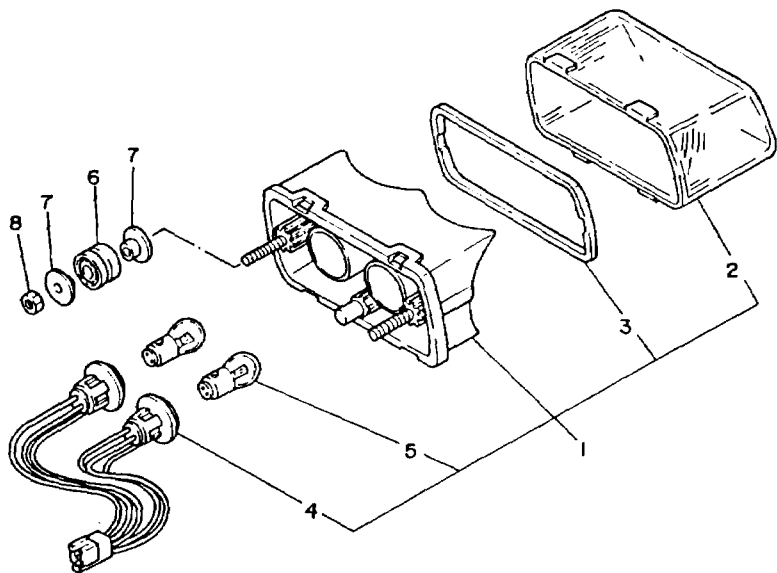
FIG. 35 HEADLIGHT

REF. NO.	PART NO.	DESCRIPTION	QTY	REMARKS
1	5G2-84315-00	RIM, headlight	1	
2	10W-84321-20	LENS, headlight	1	
3	341-84393-40	HOLDER, bulb	1	
4	533-84397-40	COVER, socket	1	
5	98501-04050	SCREW, pan head	2	
6	341-84332-60	SPRING, screw	2	
7	198-84334-60	NUT, adjusting	2	
8	14T-84124-00	SPRING, set	1	
9	34L-84346-00	SOCKET, pilot light	1	
10	*	BULB, head light (12V-45/40W)	1	LM
11	4E2-84347-00	BULB (12V-4W)	1	
12	10W-84330-00	BODY ASSY	1	
13	498-84163-60	.DAMPER	2	
14	1M1-84164-60	.DAMPER	2	
15	498-84145-60	.COLLAR, body fitting	2	
16	98506-05012	SCREW, pan head	2	
17	90149-08216	SCREW	2	
18	95702-08500	NUT, flange	2	

D13

FIG. 36 TAILLIGHT

REF. NO.	PART NO.	DESCRIPTION	Q'TY	REMARKS
1	47X-84710-E0	TAILLIGHT UNIT ASSY	1	
2	47X-84721-00	.LENS, taillight	1	
3	47X-84723-00	.GASKET, tail lens	1	
4	47X-84735-00	.CORD ASSY	1	
5	31L-84714-00	.BULB, taillight (12V-21/5W)	2	
6	16G-84736-00	DAMPER, tail 1	2	
7	90387-07037	COLLAR	4	
8	95303-06600	NUT	2	
9	449-85131-02	REFLECTOR, rear 1	1	
10	92990-05200	WASHER, plain	1	
11	92990-05100	WASHER, spring	1	

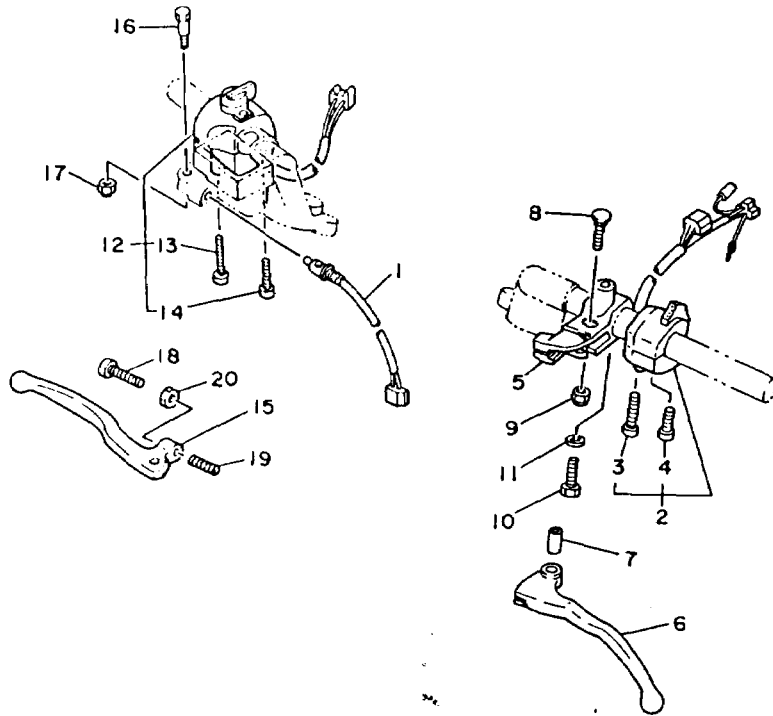


2RH300-7360

D14

FIG. 37 HANDLE SWITCH, LEVER

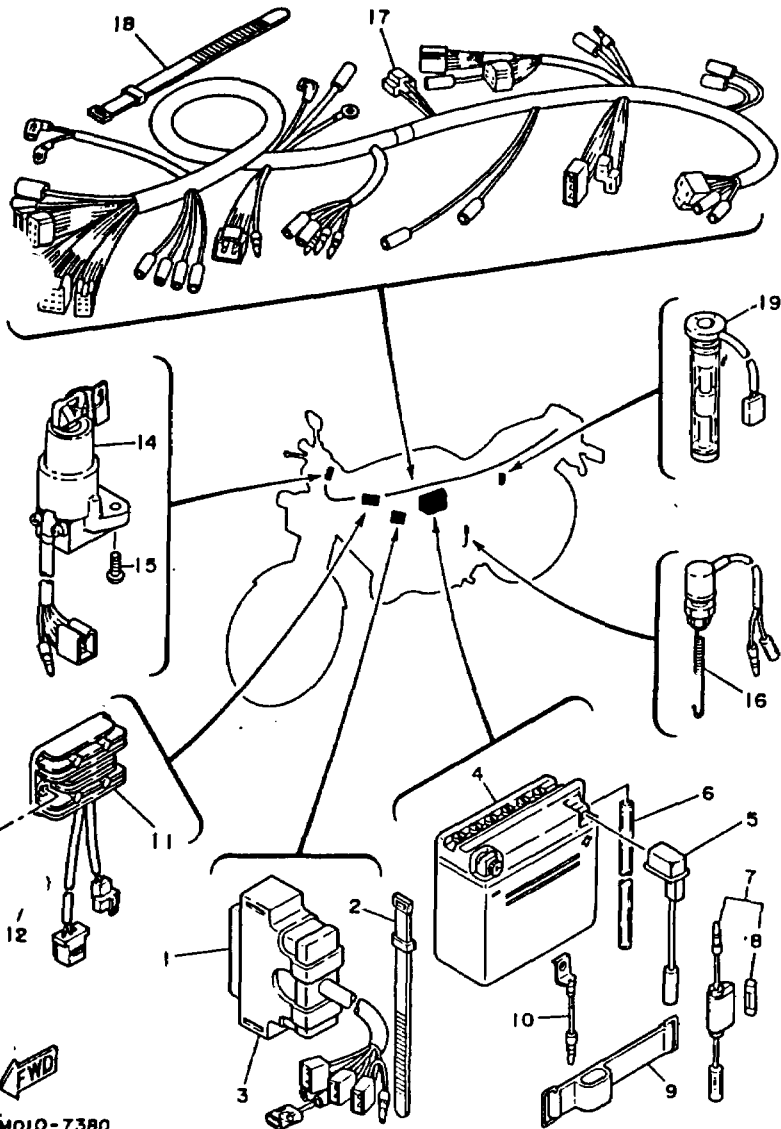
REF. NO.	PART NO.	DESCRIPTION	Q'TY	REMARKS
1	34X-83980-01	FRONT STOP SWITCH ASSY	1	
2	21T-83973-00	SWITCH, handle 3	1	
3	90157-05027	.SCREW, pan head	1	
4	98501-05030	.SCREW, pan head	1	
5	57V-82911-00	HOLDER, lever 1	1	
6	31A-83912-00	LEVER 1	1	
7	31A-83913-00	COLLAR, lever 1	1	
8	31A-83945-00	BOLT, lever	1	
9	95606-06100	NUT, u	1	
10	97006-06022	BOLT	1	
11	92906-06100	WASHER, spring	1	
12	2RH-83975-20	SWITCH, handle 2	1	
13	98506-05040	.SCREW, pan head	1	
14	98506-05030	.SCREW, pan head	1	
15	31A-83922-00	LEVER 2	1	
16	90109-06577	BOLT	1	
17	95606-06100	NUT, u	1	
18	90149-06153	SCREW	1	
19	90501-10312	SPRING, compression	1	
20	90170-06010	NUT	1	



2RH300-7370

D15

FIG. 38 ELECTRICAL 1



REF. NO.	PART NO.	DESCRIPTION	Q'TY	REMARKS
1	2RH-85540-M0	C.D.I. UNIT ASSY	1	
2	437-83936-10	BAND, switch cord	1	
3	1GU-85546-00	BAND	1	
4	235-82110-79	BATTERY ASSY (12N5-38Y)	1	
5	1M1-82115-00	WIRE, plus lead	1	
6	90445-08171	HOSE	1	
7	164-82150-00	FUSE HOLDER ASSY	1	
8	148-82151-00	.FUSE (20A)	1	
9	22J-82131-00	BAND, battery	1	
10	2J2-82116-00	WIRE, minus lead	1	
11	5H0-81960-A0	RECTIFIER & REGULATOR ASSY	1	
12	92502-06016	SCREW, pan head	2	
13	92990-06100	WASHER, spring	2	
14	2RM-82501-00	MAIN SWITCH STEERING LOCK	1	
15	90149-06228	SCREW	2	
16	34L-82530-00	STOP SWITCH ASSY	1	
17	2RM-82590-00	WIRE HARNESS ASSY	1	
18	437-83936-10	BAND, switch cord	3	
19	2E7-85720-02	OIL LEVEL GAUGE ASSY	1	

E2

NUMERICAL INDEX

PART NO.	GRID NO.	PART NO.	GRID NO.	PART NO.	GRID NO.	PART NO.	GRID NO.	PART NO.	GRID NO.	PART NO.	GRID NO.
4LO-W0041-00	D- 7	2RH-12481-00	B- 6	2RH-14451-00	B- 8	2JK-17411-00	B-15	2RH-2174L-00	C- 8	1GV-23171-00	C-12
51L-W0046-01	D- 3	2RH-12482-00	B- 6	11H-14452-00	B- 8	2RH-17421-00	B-15	2RH-2174L-10	C- 8	1GU-23173-00	C-12
51L-W0047-00	D- 3	2RH-12483-00	B- 6	2RH-14453-00	B- 8	5HO-17456-00	B-15	2RH-21747-00	C- 8		C-13
51L-W0048-00	D- 3	5Y9-12491-00	D-10	2RH-14472-00	B- 8	34Y-17460-00	B-15	2RH-21751-00	C- 9	2RH-23174-00	C-11
51L-W0057-00	D- 3	2RH-12498-00	B- 6	152-14613-00	B-10	55K-17471-00	B-15	2RH-21776-00	C- 8	1GM-23340-00-33	C-13
2RH-W2173-00-NJ	C- 8	2RH-13101-00	B- 7	2RH-14710-00	B-10	4LO-17811-00	C- 3	14T-21770-00	C- 9	156-23411-00	C-13
2RH-W2173-00-36	C- 8	8YO-13116-00	B- 7	2RH-1490J-00	B- 9	4LO-17818-00	C- 3	2RH-21781-00	C- 8	183-23411-00	C-11
2RH-W2175-00-NJ	C- 8	137-13137-00-03	B- 7	51L-14987-00	B- 9	17F-17831-00	C- 3	2RH-21781-10	C- 8	156-23412-00	C-11
2RH-W2175-00-36	C- 8	137-13137-00-05	B- 7	2RH-15111-01	B-11	17F-17841-00	C- 3	2RH-21782-00	C- 8	183-23412-00	C-11
437-W2536-00	D- 4	137-13137-00-10	B- 7	2RH-15121-00	B-11	17F-17861-00	C- 3	2RH-21782-10	C- 8	136-23415-00	C-11
2RH-11111-00	B- 2	137-13138-01	B- 7	37F-15128-00	B-11	55K-18101-00	C- 5	2RH-21783-00	C- 8	2RH-23435-00	C-11
2RH-11181-00	B- 2	186-13174-00	B- 7	3Y1-15361-00	B-12	2RH-18111-00	C- 5		C- 8	2H9-23469-00	D- 6
2RH-1131A-00	B- 2	367-13174-00	B- 7	1RG-15363-00	B-12	2RH-18112-01	C- 5	4LO-21815-01	C- 9	2RH-24110-00-01	C-14
2JK-1131E-00	B- 2	55K-13175-01	B- 7	498-15371-00	B-11	132-18113-01	C- 5	2RH-21871-00	C- 9	2RH-24110-00-02	C-14
2RH-1131E-00	B- 2	1E7-13176-00	B- 7	2RH-15411-00	B-12	2RH-18115-00	C- 5	2RH-22110-00-35	C-10	1KT-24146-00	C-14
2RH-1131M-00	B- 2	10V-13178-01	B- 7	2RH-15416-00	B-12	3R4-18140-00	C- 4	401-22128-01	C-10	2RH-24161-00	C-14
2RH-1131R-00	B- 2	2RH-13565-00	B- 8	2RH-15421-00	B-12	2H9-18154-00	C- 5	34X-22141-00	C-10	46X-24181-00	C-14
29L-1131U-00	B- 2	2RH-13580-00	B- 8	2RH-15451-00	B-12		C- 5	2RH-22151-00	C-10	1AE-24183-00	C-14
2RH-11311-00	B- 2	2RH-13584-00	B- 8	2RH-15455-00	B-12	55K-18511-00	C- 4	2RH-22184-00	C-10	3Y6-24183-00	C-14
29L-1132E-00	B- 2	1GU-13595-00	B- 8	2RH-15492-00	B-11	2RH-18512-00	C- 4	2RH-22210-00	C-10	12R-24186-00	C-14
29L-1133E-00	B- 2	1KT-13610-00	B- 8	156-15618-01	B-13	55K-18513-00	C- 4	2RM-22210-00	C-10	1HX-24188-01	C-14
2RH-11351-00	B- 2	1KT-13613-00	B- 8	2RH-15620-00	B-13	55K-18531-00	C- 4	34L-22216-00	C-10	2RH-24216-00	E- 3
2RH-11400-00	B- 3	1KT-13616-00	B- 8	10V-15641-00	B-13	2A6-18535-00	C- 4	2RH-22311-00	C-10	2RH-24240-00	C-14
2RH-11412-00	B- 3	1KT-13621-00	B- 8	10V-15651-00	B-13	2RH-18540-10	C- 4	1GV-23102-00	C-12	2RH-24500-00	C-14
2RH-11422-00	B- 3	2TU-14101-00	B- 9	2RH-15660-00	B-13	2RH-21110-00-35	C- 6	1GV-23103-00	C-12	4X8-24512-00	C-14
2RH-11454-00	B- 3	31J-14103-00	B- 9	10V-15666-00	B-13	2RH-21150-00-35	C- 6	1GU-23110-00	C-12	29L-24524-01	C-14
37F-11530-00	B- 4	10M-14104-00	B- 9	2A6-16111-00	B-14	2RH-2118E-00	C- 6		C-12	4X8-24534-00	C-14
10V-11536-01	B- 3	23L-14107-25	B- 9	55K-16150-00	B-14	2RH-21243-00	E- 3	1GU-23111-00	C-12	1JK-24602-02	C-14
2RH-11610-00	B- 3	2RH-14112-20	B- 9	37F-16154-00	B-14	2RH-21288-00	C- 6		C-13	51X-24705-00	C-15
2RH-11610-10	B- 3	1GU-14131-00	B- 9	4YO-16154-00	B-14	26H-21308-00	C-15	1GU-23125-00	C-12	1KT-24718-00	C-15
2RH-11610-20	B- 3	1GU-14141-46	B- 9	21V-16321-00	B-14	2RH-2135Y-00	C- 6		C-12	1KT-24728-00	C-15
2RH-11631-00-35	B- 3	193-14142-22	B- 9	1V1-16324-00	B-14	34M-2139X-00	C- 8	1GU-23126-00-38	C-12	2RH-24730-00	C-15
137-11633-00	B- 3	137-14143-36	B- 9	10V-16351-00	B-14	2RH-2149F-00	C- 6	5UB-23129-00	C-12	2RH-24730-10	C-15
4V2-11634-00	B- 3	132-14146-00	B- 9	1W1-16356-01	B-14	1GU-21510-00-E1	C- 7		C-13	2RH-24731-00	C-15
2RH-11635-00	B- 3	137-14153-00	B- 9	3R1-16357-00	B-14	1GU-21510-00-NJ	C- 7	1GU-23136-00-38	C-12	2RH-24731-10	C-15
2RH-11636-00	B- 3	802-14161-00	B- 9	30X-16358-00	B-14	1A8-21518-00	C- 7	1GU-23141-00	C-12	22W-24741-00	C-15
2RH-11651-00	B- 3	3X3-14169-00	B- 9	4Y2-16371-00	B-14	2RH-21610-00	C- 7		C-13	2RH-24773-00	C- 7
37F-11681-00	B- 3	2AL-14171-00	B- 9	37F-16380-00	B-14	2RH-21629-00	C- 7	1GU-23144-00	C-12	2RH-24776-00	C-15
34X-12411-00	B- 6	304-14184-00	B- 9	2RH-17121-00	B-15	1AE-21636-10	C- 7		C-13	1KT-2478F-00	C-15
2RH-12413-00	B- 6	314-14185-00	B- 9	2RH-17131-00	B-15	1KT-2163H-00	C- 7	1GU-23151-00	C-12	47X-24796-00	C-15
2RH-12414-00	B- 6	537-14186-00	B- 9	2RH-17151-00	B-15	50W-21631-00	C- 4		C-12	341-25149-00	D- 2
2RH-12422-00	B- 5	12R-14191-00	B- 9	2RH-17161-00	B-15	2RH-21645-00	C- 7	1GU-23154-00	C-12	2HK-25168-00-FH	D- 2
2RH-12428-00	B- 5	1GU-14197-00	B- 9	2RH-17211-00	B-15	2RH-21651-00-NJ	C- 7		C-13	2HK-25168-00-8L	D- 2
1KT-12437-00	B- 6	183-14197-01	B- 9	2RH-17221-00	B-15	2RH-21651-00-36	C- 7	1GU-23157-00	C-12	51Y-25181-00	D- 2
36F-12450-00	B- 5	29U-14197-00	B- 9	2RH-17231-00	B-15	2RH-2173L-00	C- 8		C-12	464-25190-00	D- 2
2RH-12459-00	B- 5	2RH-14411-00	B- 8	2RH-17241-00	B-15	2RH-2173L-10	C- 8	2RH-2317E-00	C-11	109-25315-00	D- 2
2RH-12460-00	B- 6	2RH-14412-00	B- 8	2RH-17251-00	B-15	2RH-2173M-00	C- 8	2RH-2317F-00	C-11	183-25315-00	D- 4
1KT-12462-00	B- 6	1KT-14437-00	B- 8	2RH-17261-00	B-15	2RH-2173N-00	C- 8	1GV-23171-00	C-12	2RH-25321-00-FH	D- 4

NUMERICAL INDEX

PART NO.	GRID NO.	PART NO.	GRID NO.	PART NO.	GRID NO.	PART NO.	GRID NO.	PART NO.	GRID NO.	PART NO.	GRID NO.
2RH-25321-00-BL	D-4	50W-2639G-00	C-7	1GU-83509-00	D-12	2RH-85540-00	E-2	90157-05027	D-15	90201-20279	D-8
3Y6-2533A-01	D-4	2RH-27211-00	D-8	51Y-83513-00	D-12	1GU-85546-00	E-2	90157-06072	B-11	90201-22555	B-15
2HK-2533B-20-FH	D-4	2RH-27231-00	D-8	42X-83517-00	D-12	2RH-85550-MO	D-10	90159-03102	D-12	90201-543E4	D-4
2HK-2533B-20-BL	D-4	2RH-27311-00-33	D-8	51Y-83519-00	D-12	2RH-85560-MO	D-10	90159-06084	C-10	90202-06010	C-14
2RH-25351-00	D-4	2RH-27410-00-35	D-8	51Y-83523-00	D-12	34X-85595-MO	D-10	90164-04005	D-12	90208-17032	B-14
1L9-25355-00	D-4	2RH-27420-00-35	D-8	51Y-83524-00	D-12	2E7-85720-02	E-2	90170-06010	D-15	90209-15270	B-15
4L1-25364-00	D-4	4L0-27423-00	D-8	51Y-83540-00	D-12	2RH-85820-00	E-3	90170-06228	C-5	90209-18135	B-15
10W-25371-00	D-5		D-8	2J2-83541-00	D-12	2RH-85830-00	E-3	90170-10219	D-4	90209-22292	B-3
2RH-25381-00	D-5	120-27430-02	D-8	51Y-83541-00	D-12	90101-06291	D-4	90170-12370	B-4	90215-12271	B-14
4L0-25389-00	D-5	120-27431-00	D-8	11L-83550-00	D-12	90101-06478	D-8		B-14	90215-12272	B-4
1A1-25398-01	D-4	120-27432-02	D-8	1GU-83560-02	D-12	90101-06576	B-10	90171-14020	D-5	90240-06009	D-8
29L-25398-00	D-2	120-27433-00	D-8	1GU-83568-00	D-12	90101-08461	B-10	90176-08026	B-10	90249-12008	D-8
29L-25398-10	D-2	10W-28100-00	C-7	56K-83570-F0	D-12	90101-08475	D-5	90176-08040	B-2	90280-03045	B-3
29L-25398-20	D-2	5H0-81960-A0	E-2	12R-83578-00	D-12	90101-12558	C-10	90179-06176	D-8	90282-05047	B-3
1A1-25399-00	D-4	235-82110-79	E-2	51Y-83579-00	D-12	90101-12676	C-10	90179-08299	B-2	90282-05058	B-3
2M0-25399-00	D-5	1M1-82115-00	E-2	2RH-83590-00	D-12	90105-08391	C-6	90179-08316	D-6	90384-18157	C-10
5H0-25412-00	D-4	2J2-82116-00	E-2	11H-83591-00	E-3	90105-08466	C-6	90179-12244	B-14	90387-061F9	E-3
12A-25445-10-33	D-4	22J-82131-00	E-2	1GU-83611-00	D-12	90105-08494	C-6	90179-12323	D-10	90387-06249	D-12
2RH-25810-00	D-3	47X-82131-00	C-7	31A-83912-00	D-15	90105-08495	C-6	90179-12374	B-13	90387-07037	D-14
51L-25827-00	D-3	164-82150-00	E-2	31A-83913-00	D-15	90105-10308	D-3	90179-25033	C-11	90387-07391	C-9
51L-25827-10	D-3	148-82151-00	E-2	31A-83922-00	D-15	90105-14102	C-11	90183-05044	B-6	90387-07392	B-6
1HX-25831-00	D-3	2JN-82310-M0	E-3	437-83936-10	E-2	90109-06577	D-15	90185-08054	C-6	90387-08218	C-6
341-25846-00	D-2	1M1-82370-21	E-3		E-2	90109-08063	D-5	90185-10120	D-8	90387-08725	C-5
4L0-25850-02	D-7	2RH-82501-00	E-2	31A-83945-00	D-15	90109-083A8	C-5	90185-12046	C-10	90387-123A9	D-2
1UY-25852-00	D-7	34L-82530-00	E-2	21T-83973-00	D-15	90109-08368	D-5	90201-060A3	B-6	90387-124H0	C-10
4L0-25854-00	D-7	341-82540-01	E-3	2RH-83975-20	D-15	90109-08718	D-3	90201-06059	D-12	90387-127E0	D-2
4L0-25862-00	D-7	341-82543-00	E-3	34X-83980-01	D-15	90109-100E8	D-8	90201-06067	C-10	90387-157F0	D-5
4L0-25867-00	D-7	2RH-82590-00	E-2	14T-84124-00	D-13	90110-05079	B-6		E-3	90387-15765	D-5
1GU-25872-01	D-7	12R-82591-00	C-14	498-84145-60	D-13	90110-05112	C-14	90201-06068	B-8	90387-20219	B-3
2R8-25876-00	D-7	57V-82911-00	D-15	498-84163-60	D-13	90116-08042	B-10	90201-06263	C-8	90387-22591	D-6
51L-25919-00	D-3	5Y3-83310-21	D-11	1M1-84164-60	D-13	90116-08318	B-2	90201-081A6	C-5	90401-10096	D-7
51L-25924-00	D-3	306-83311-40	D-11	5G2-84315-00	D-13	90116-08388	B-2	90201-083A6	B-10	90430-04004	B-7
1GU-26121-00-35	D-6		D-11	10W-84321-20	D-13	90116-08392	B-2	90201-08512	B-5	90430-06166	B-5
1GU-26122-00-35	D-6		D-11	10W-84330-00	D-13	90119-05001	B-14	90201-08624	B-7		B-6
36Y-26133-00	D-6		D-11	341-84332-60	D-13	90119-06044	C-8	90201-08649	B-2		B-6
	D-6	5Y1-83312-00	D-11	198-84334-60	D-13		C-9		C-6	90430-08119	B-12
47X-26241-00	D-6		D-11	34L-84346-00	D-13	90119-06056	B-8	90201-087F0	B-10	90430-08155	C-12
47X-26242-00	D-6		D-11	4E2-84347-00	D-13		C-7	90201-087H6	C-3		C-13
1GU-26243-00	D-6		D-11	341-84393-40	D-13	90119-06118	C-7	90201-10118	D-7	90445-053F3	B-7
1GU-26246-00	D-6	5Y1-83313-00	D-11	533-84397-40	D-13	90123-08083	D-6	90201-120E8	B-14	90445-08171	E-2
47X-26249-00	D-6		D-11	47X-84710-E0	D-14	90149-06011	C-14	90201-123L6	D-10	90445-09111	C-9
2RH-26260-00	D-6		D-11	31L-84714-00	D-14	90149-06150	C-15	90201-12535	C-10	90445-102F4	C-14
11U-26290-11	D-6		D-11	47X-84721-00	D-14	90149-06153	D-15		C-10	90445-10366	C-14
11U-26290-80	D-6	5Y3-83320-21	D-11	47X-84723-00	D-14	90149-06215	C-11	90201-14212	D-8	90445-12718	B-8
36Y-26290-G0	D-6	37A-83330-21	D-11	47X-84735-00	D-14	90149-06228	E-2	90201-14217	B-14	90446-07228	B-11
36Y-26290-T0	D-6	37A-83340-21	D-11	16G-84736-00	D-14	90149-08216	D-13	90201-154E8	B-13	90460-27219	B-6
2RH-26329-00	C-7	34L-83350-20	E-3	4G1-84744-00	D-12	90154-050C8	C-8	90201-202F9	B-13	90460-27270	B-6
2RH-26335-00	D-6	33M-83371-30	E-3	449-85131-02	D-14	90157-02031	D-12	90201-20266	B-15	90460-44108	B-8

NUMERICAL INDEX

PART NO.	GRID NO.	PART NO.	GRID NO.	PART NO.	GRID NO.	PART NO.	GRID NO.	PART NO.	GRID NO.	PART NO.	GRID NO.
90460-49058	B- 8	91316-05012	B- 2	92990-06100	E- 3	93430-10015	D- 8	95806-06025	B- 6	98706-04012	D- 7
90461-06103	B-12		B- 2		E- 3	93440-15012	B-13	95806-08070	B-12	98901-04008	B- 7
90461-08031	C-11	91401-16015	D- 9		E- 3	93450-31114	C-12	95816-06025	B- 5	98980-06016	C- 7
90467-08003	C- 9	91401-20015	D- 8	92990-06600	E- 3		C-13	95821-06016	C- 7	99001-07600	B- 5
	C- 9	91401-30030	D- 5	92990-08100	C-13	93450-46113	C-12	95821-06020	B- 6	99001-10600	C- 5
90467-09006	B- 6	92501-06012	B-11		D- 5		C-13	95821-08016	C- 6	99510-10114	B- 2
	C-14		C- 2		D- 5	93501-04011	C-11		C- 6	99510-12016	B-11
	C-14	92501-06014	D-10	93101-10090	B- 7	93503-16010	B-14	95821-10035	C-13	99530-10014	B-12
90467-10008	B- 9	92501-06020	E- 3	93101-12060	C- 5	93603-22028	B- 5	95826-06012	C-11		
90467-20050	B- 8	92501-06025	E- 3	93102-20143	B-15		B- 7	95826-06020	B- 6		
90467-21058	B- 8	92501-06030	B-11	93102-20309	B-13	93604-10011	B- 5		C- 5		
90468-02033	B- 7	92501-06060	B-11	93102-22014	D- 4	93608-30152	C- 5	97001-06012	E- 3		
	B- 7	92501-08010	B-11	93102-25331	B- 3	94109-162R3	D- 2	97001-06020	E- 3		
90468-08086	B- 7	92502-06016	C- 6	93103-10147	B- 5	94109-162R5	D- 2	97001-06025	C- 9		
90468-10050	D- 5		E- 2	93103-32099	B- 3	94110-182R4	D- 4	97006-05012	B- 6		
	D- 5		E- 3	93104-14004	B-14	94110-182R6	D- 4	97006-06022	D-15		
	D-12	92503-06045	B-11	93105-45017	D- 2	94227-16201	D- 2	97021-06010	B-15		
90468-26048	B-13	92506-06016	B- 6	93106-20002	D- 2	94230-16075	D- 2	97301-06010	C- 3		
90480-01141	C- 8	92506-06025	B- 5	93108-23010	B- 2	94235-18085	D- 4	97306-06025	B- 8		
	C- 8		B-12	93109-18020	C-10	94241-18153	D- 4	97313-06016	B- 8		
90480-13163	E- 3	92506-06070	B- 5	93110-33018	C-12	94580-30130	D- 5		C-10		
90480-13426	C- 8		B-12		C-12	94680-30001	D- 5		E- 3		
90480-14433	C- 9	92516-06030	B-12	93210-12154	B-15	94701-00188	B- 2	97316-06020	B- 2		
90480-15363	B- 6		B-12	93210-12327	C- 3	95023-06012	C- 7	97316-06025	D- 7		
90480-16284	B- 6	92900-06200	B-14	93210-19123	B-12	95023-06025	D- 7	97321-08060	C-13		
90501-10245	D- 8	92901-04100	D-10	93210-23587	C-12	95301-05600	B- 7	97701-40530	D-11		
90501-10312	D-15	92901-05100	B- 7		C-13	95301-12700	D- 9	97702-40630	D-11		
90501-20568	B-14	92901-06200	C- 7	93210-27194	B- 6	95303-06600	B-14		D-11		
90506-16036	D- 4	92901-06600	C- 3	93210-27370	B- 2		C- 7		D-11		
90506-20369	D- 8		D- 8	93306-20201	B-15		D- 8	97780-50525	B- 8		
90507-29033	D- 8		E- 3	93306-20213	D- 4		D-14	97801-03008	C-14		
90508-20555	B-14	92901-08600	C-13	93306-20335	B- 3	95303-08600	B-10	98002-08030	C-14		
90508-26561	C- 4	92902-04100	B- 9	93306-20562	B- 3		D- 5	98501-03008	B- 8		
90508-26667	B-13	92906-05100	B- 6	93306-30101	D- 2	95303-08700	D- 5	98501-04006	C-12		
90508-32642	C- 5	92906-06100	B- 2	93306-30203	D- 4		D- 5		C-13		
90560-15218	D- 4		C- 9	93306-30210	B- 3	95311-08600	C-13	98501-04050	D-13		
90560-23219	D- 4		D- 7	93306-30309	B-15	95316-06600	D-12	98501-05016	B- 7		
91021-08020	D- 8		D-15	93306-30421	B-15	95316-06700	C- 5	98501-05030	D-15		
	D- 8	92906-06600	B- 2	93306-30543	B- 3	95316-12700	D-11	98506-03008	C-14		
91021-08025	C- 6		B- 8	93310-316H7	B- 3	95601-08200	C- 6	98506-05012	D-13		
91021-08030	C- 6		B-10	93310-523T3	B- 3	95601-12100	C-10	98506-05030	D-15		
91311-05010	B- 2	92990-03100	B- 8	93315-21429	B-14	95606-06100	D-15	98506-05040	D-15		
	C-14	92990-05100	D-14	93315-31841	C-10		D-15	98511-04012	D-11		
91311-06020	D- 6	92990-05200	D-14	93317-31529	B-15	95701-05500	C-15		D-11		
91311-08025	C-12	92990-06100	C- 6	93410-20038	B-15	95701-06500	C-15		D-11		
	C-13		C-10	93410-22039	B-15	95702-08500	D-13		D-11		
	D- 6		E- 2	93410-52034	D- 4	95801-06012	C- 6	98511-04016	B- 9		
91311-08035	C-11		E- 3	93430-08036	B- 7	95801-08012	C- 7	98580-04010	D-10		