

YAMAHA



**PARTS
CATALOGUE**



RX-S (3HB7)'97

EXPORT

**YAMAHA
GENUINE**
Parts & Accessories

173HB - 460E2

FOREWORD

This Parts Catalogue is related to the parts in use for the Yamaha RX - S'91 (3HB4) / RX - R'91 (4DE1). When you ordering replacement parts for the RX - S'91 (3HB4) / RX - R'91 (4DE1), refer to this Parts Catalogue and Quote both part numbers and parts name correctly.

1. Modifications or additions which have been made after issue of the Parts Catalogue will be announced in the Yamaha Parts News.
It is advisable that according to the Yamaha Parts News you make necessary corrections to the Parts Catalogue on hand to keep it up-to-date.
2. Abbreviations
The following abbreviations are used in this Parts Catalogue.
 "UR" Use size (thickness) and/or number as required.
 "UN" Use as many as you need.
 "AP" Alternate parts.
 "LM" Local Made.
 "F#" Frame No. (Applicable machine No.).
 * Y.M.C. Parts (Japan)
3. The Parts marked with (*) in the parts number column of this Catalogue are not supplied with by Yamaha, those have to be found locally.
4. Parts, which are to be supplied in the form of assemblies, are listed with an indication of one letter's space, and a dot (.) is put against the name of each part.

EXAMPLE

CARBURETOR ASS'Y
 . JET, Pilot
 . NOZZLE, main.

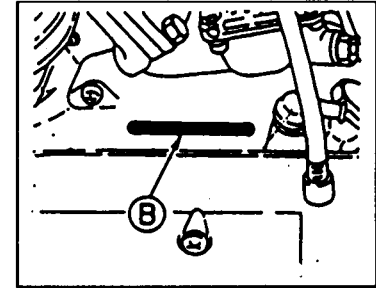
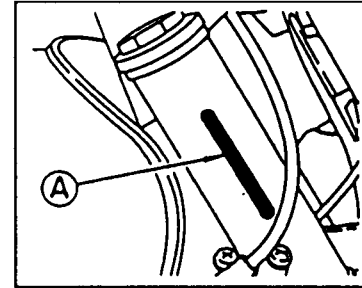
5. Indication of No. of constituent parts of assembly
The numeral appearing to the right of each constituent part under the description indicates the quantity of such parts for each individual assembly unit.

EXAMPLE

PARTS NO.	DESCRIPTION	QTY	REMARKS
3HB-H3310-V0	FRONT FLASHER LIGHT ASSY	1	
4DE-83311-00	. BULB (6V-10W)	1	
5T5-H3313-V0	. GASKET, FLASHER LENS	1	

6. Initial Serial No. and Color Code

(A) Frame Serial No.	
(B) Engine Serial No.	



Color Code	Color Name	Abbreviation
0033	YAMAHA BLACK	YB
0091	UNI CHROMATE WHITE	UCW
0092	UNI CHROMATE YELLOW	UCY
0093	CHROME PLATED	CP
0098	LOW GLOSS BLACK	LGB

7. Applicable colors of graphics are represented in the "Remarks" column by the letter(s) appropriately picked out of the full word(s) showing such colors.

EXAMPLE

PARTS NO.	DESCRIPTION	QTY	REMARKS
3HB-F4100-00-EG	FUEL TANK COMP.	1	MAPLE RED
3HB-F4246-C0	. GRAPHIC	1	for MAPLE RED

CONTENS

ENGINE

FIG. 1	CYLINDER.....	1
FIG. 2	CRANKSHAFT.PISTON.....	2
FIG. 3	OIL PUMP.....	3
FIG. 4	INTAKE.....	4
FIG. 5	CARBURATOR.....	6
FIG. 6	EXHAUST.....	7
FIG. 7	CRANKCASE.....	8
FIG. 8	CRANKCASE COVER 1.....	9
FIG. 9	STARTER.....	11
FIG. 10	CLUTCH.....	12
FIG. 11	TRANSMISSION.....	13
FIG. 12	TACHOMETER GEAR.....	14
FIG. 13	SHIFT CAM. FORK.....	15
FIG. 14	SHIFT SHAFT.....	16

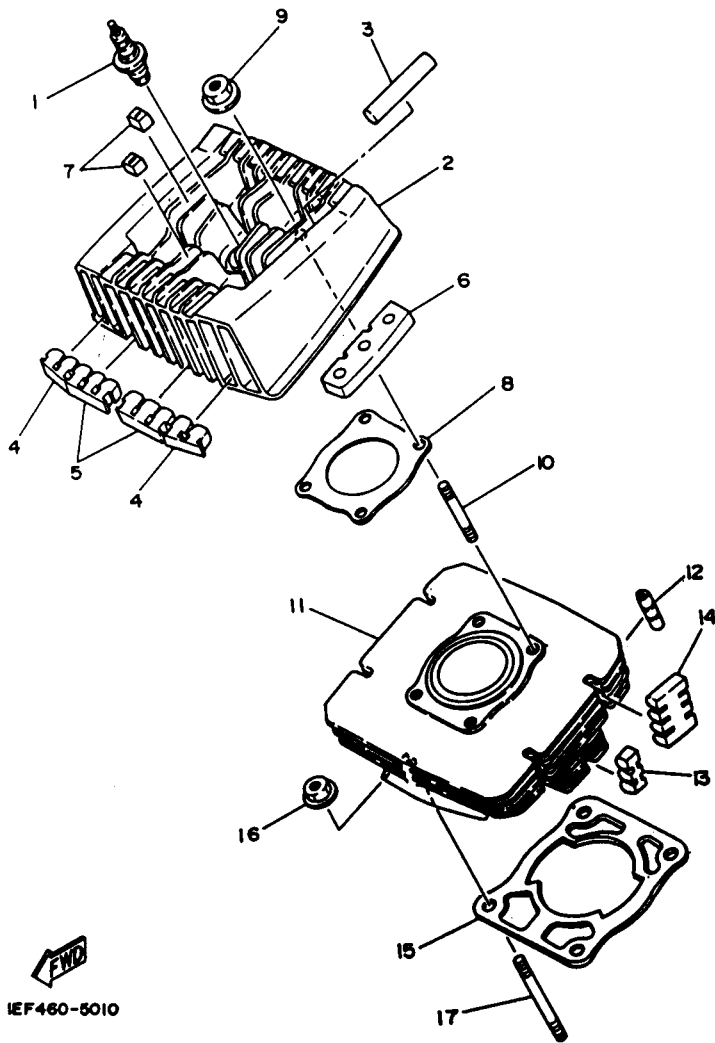
CHASSIS

FIG. 15	FRAME.....	17
FIG. 16	FENDER.....	18
FIG. 17	SIDE COVER.....	19
FIG. 18	OIL TANK.....	21
FIG. 19	REAR ARM. SUSPENSION.....	22
FIG. 20	STEERING.....	24
FIG. 21	FRONT FORK.....	25

FIG. 23	SEAT.....	28
FIG. 24	FRONT WHEEL.....	30
FIG. 25	FRONT BRAKE CALIPER.....	31
FIG. 26	REAR WHEEL.....	32
FIG. 27	STEERING HANDLE. CABLE...	34
FIG. 28	FRONT MASTER CYLINDER....	35
FIG. 29	STAND FOOREST.....	36
FIG. 30	GENERATOR.....	37
FIG. 31	FLASHER LIGHT.....	38
FIG. 32	METER.....	39
FIG. 33	HEADLIGHT.....	41
FIG. 34	TAILLIGHT.....	42
FIG. 35	HANDLE SWITCH LEVER.....	43
FIG. 36	ELECTRICAL 1.....	44
FIG. 37	ELECTRICAL 2.....	45

INDEX

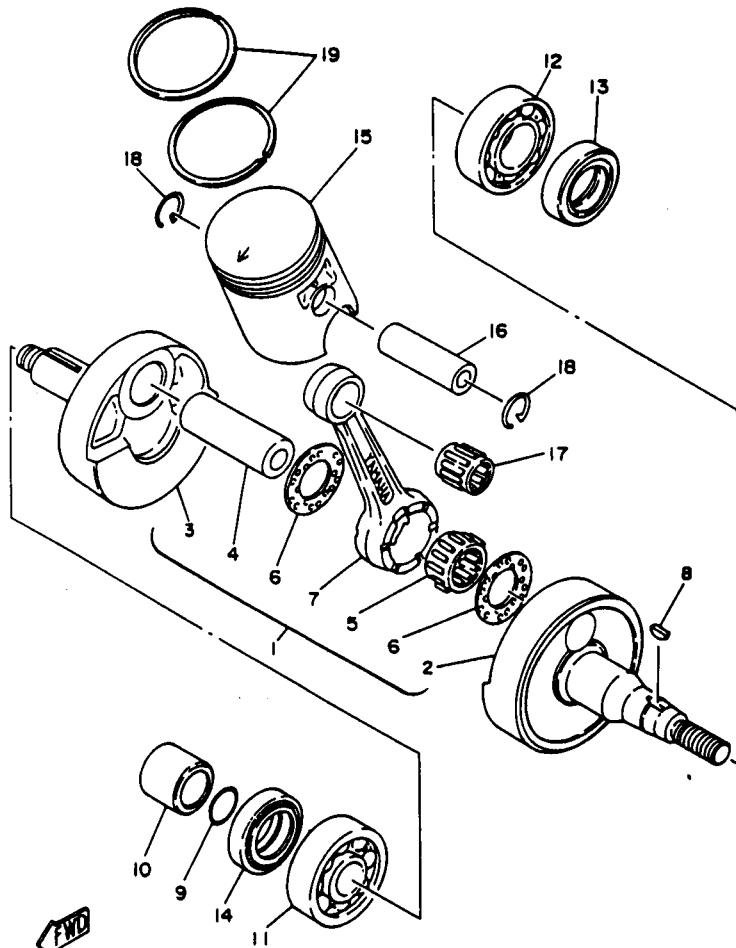
NUMERICAL INDEX



FWD
IEF460-5010

FIG. 1 CYLINDER

REF. NO.	PART NO.	DESCRIPTION	TYPE				REMARKS
			3HB5 94	3HB6 95	3HB7 96	3HB7 97	
1	94700-00816	PLUG, spark (NGK BP8HS)	1	1	1	1	LM
	94700-00820	PLUG, spark (ND W24FP)	1	1	1	1	LM
2	3HB-E1111-00	HEAD, cylinder 1	1	1	1	1	
3	3HB-E1129-00	ABSORBER 1	2	2	2	2	
4	3KA-E1162-00	ABSORBER 2	2	2	2	2	
5	3HB-E1129-00	ABSORBER 5	4	4	4	4	
6	3HB-E1128-00	ABSORBER 4	2	2	2	2	
7	3RS-E1128-00	ABSORBER 3	6	6	6	6	
8	3HB-E1181-00	GASKET, cylinder head 1	1	1	1	1	
9	90179-08410	NUT	4	4	4	4	
10	90116-08393	BOLT, stud	4	4	4	4	
11	3HB-E1311-00	CYLINDER 1	1	1	1	1	
12	3RS-E1162-00	ABSORBER 2	4	4	4	4	
13	3KA-E1129-00	ABSORBER 1	2	2	2	2	
14	3KA-E1161-00	ABSORBER 1	4	4	4	4	
15	3KA-E1351-00	GASKET, cylinder	1	1	1	1	
16	90179-10279	NUT	4	4	4	4	
17	90116-10278	BOLT, stud	4	4	4	4	



58X440-5020

FIG. 2 CRANKSHAFT, PISTON

REF. NO.	PART NO.	DESCRIPTION	T Y P E				REMARKS
			3HB5 94	3HB6 95	3HB7 96	3HB7 97	
1	4X8-11400-00	CRANKSHAFT ASSY	1	1	1	1	
2	452-11412-00	. CRANK 1	1	1	1	1	
3	452-11422-00	. CRANK 2	1	1	1	1	
4	3M5-11681-00	. PIN, crank 1	1	1	1	1	
5	93310-422L0	. BEARING, cylindrical	1	1	1	1	
6	90209-22071	WASHER	2	2	2	2	
7	4X8-11651-00	. ROD, connecting	1	1	1	1	
8	90280-03017	KEY, woodruff	1	1	1	1	
9	93210-18023	O-RING	1	1	1	1	
10	90387-205E9	COLLAR	1	1	1	1	
11	93306-30405	BEARING (B6304C3)	1	1	1	1	
12	93306-20517	BEARING (B6205C4)	1	1	1	1	
13	93102-25860	OIL SEAL	1	1	1	1	93102-25061 ^o
14	93102-28806	OIL SEAL <i>93103-28106</i>	1	1	1	1	93103-28011 ^o
15	3HB-E1631-10	PISTON (STD)	1	1	1	1	
	3HB-E1635-00	PISTON (0.25MM O/S)	1	1	1	1	
	3HB-E1636-00	PISTON (0.50MM O/S)	1	1	1	1	
	3HB-E1637-00	PISTON (0.75MM O/S)	1	1	1	1	
	3HB-E1638-00	PISTON (1.00MM O/S)	1	1	1	1	
16	4X8-11633-00	PIN, piston	1	1	1	1	
17	93310-214H9	BEARING, cylindrical	1	1	1	1	
18	93450-15023	CIRCLIP	2	2	2	2	
19	4X8-11601-00	PISTON RING SET (STD)	1	1	1	1	
	4X8-11601-10	PISTON RING SET (1ST O/S)	1	1	1	1	
	4X8-11601-20	PISTON RING SET (2ND O/S)	1	1	1	1	
	4X8-11601-30	PISTON RING SET (3RD O/S)	1	1	1	1	
	4X8-11601-40	PISTON RING SET (4TH O/S)	1	1	1	1	

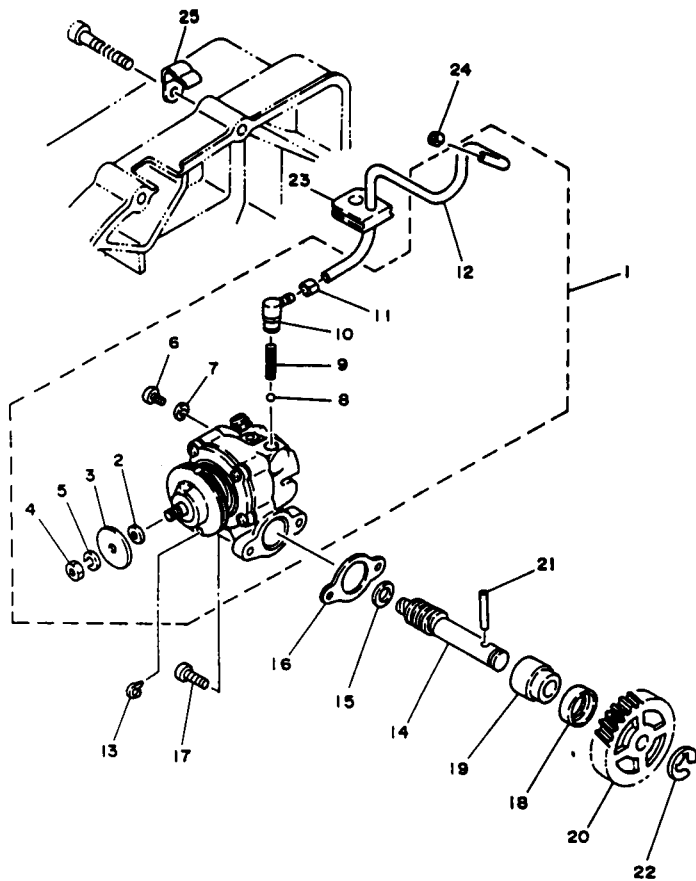
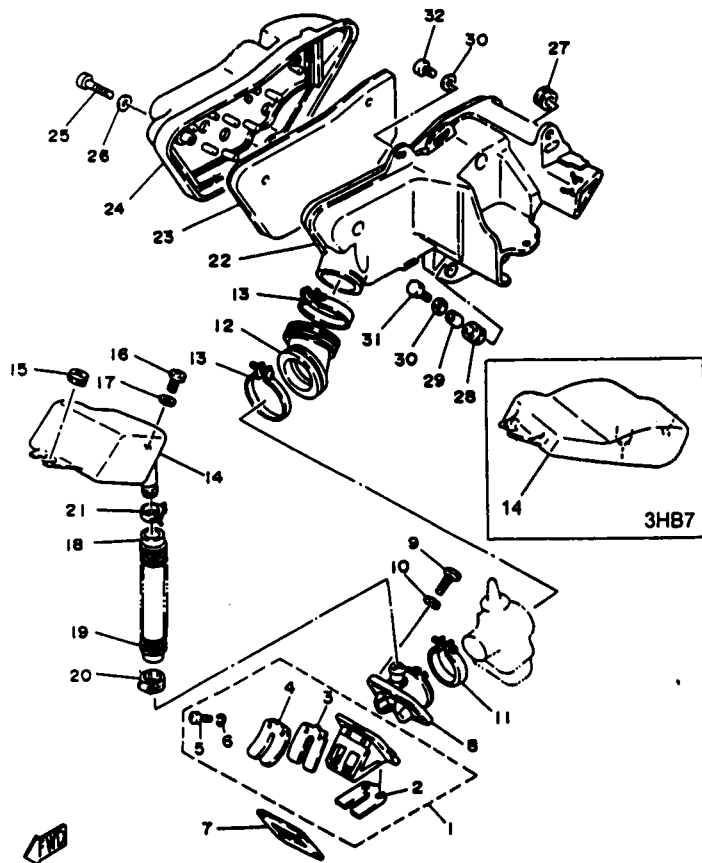


FIG. 3 OIL PUMP

REF. NO.	PART NO.	DESCRIPTION	TYPE				REMARKS
			3HB5 94	3HB6 95	3HB7 96	3HB7 97	
1	4X8-13101-00	OIL PUMP ASSY	1	1	1	1	
2	137-13137-00-03	. SHIM (0.3T)	1	1	1	1	UR
	137-13137-00-05	. SHIM (0.5T)	1	1	1	1	UR
	137-13137-00-10	. SHIM (1.0T)	1	1	1	1	UR
3	137-13138-01	. PLATE, adjusting	1	1	1	1	
4	95303-05800	. NUT	1	1	1	1	
5	92901-05100	. WASHER, spring	1	1	1	1	
6	98901-04008	. SCREW, bind	1	1	1	1	
7	90430-04004	. GASKET	1	1	1	1	
8	93505-32002	. BALL	1	1	1	1	
9	90501-02018	. SPRING, compression	1	1	1	1	
10	353-13552-01	. NOZZLE	1	1	1	1	
11	90468-02033	. CLIP	1	1	1	1	
12	90445-05266	. HOSE	1	1	1	1	
13	367-13146-01	. CLIP	1	1	1	1	
14	275-13175-01	SHAFT, worm	1	1	1	1	
15	90201-08624	WASHER, plate	1	1	1	1	
16	1EG-E3116-00	GASKET, pump case	1	1	1	1	
17	98507-05014	SCREW, pan head	2	2	2	2	
18	93101-10823	OIL SEAL	1	1	1	1	
19	137-13176-00	METAL, worm shaft outer	1	1	1	1	
20	248-13178-00	GEAR, drive (28T)	1	1	1	1	
21	93603-22028	PIN, dowel	1	1	1	1	
22	99001-08600	CIRCLIP	1	1	1	1	
23	248-13174-00	HOLDER, oil pipe	1	1	1	1	
24	90468-02033	. CLIP	1	1	1	1	
25	90461-10071	CLAMP	1	1	1	1	

58X440-5030



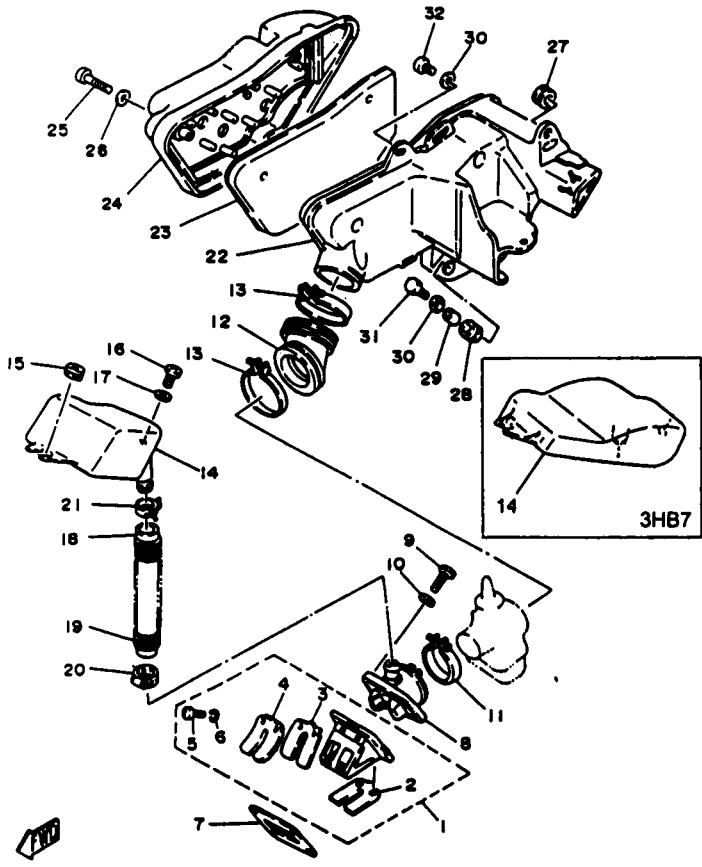
IEF460-6041

FIG. 4 INTAKE

Continuar

REF. NO.	PART NO.	DESCRIPTION	T Y P E				REMARKS
			3HB5 94	3HB6 95	3HB7 96	3HB7 97	
1	4X8-13610-00	REED VALVE ASSY	1	1	1	1	
2	4X8-13613-10	REED, valve	1	1	1	1	
3	4X8-13613-20	REED, valve	1	1	1	1	
4	345-13616-70	STOPPER, reed valve	2	2	2	2	
5	98501-03008	SCREW, pan head	4				
	97601-03108	SCREW, pan head w/w		4	4	4	
6	92990-03100	WASHER, spring	4				
7	3KA-E3621-00	GASKET, valve seat	1	1	1	1	
8	4X8-13565-00	JOINT, carburator	1	1	1	1	
9	97001-06025	BOLT	4				
	97507-06525	BOLT, hexagon head w/w		4	4	4	
10	92906-06600	WASHER, plate	4				
11	90460-43053	CLAMP, hose	1	1	1	1	
12	3M5-14453-00	JOINT, air cleaner 1	1	1	1	1	
13	90460-49058	CLAMP, hose	2	2	2	2	
14	5T4-E3581-00	CHAMBER, air	1	1			
	4Y2-E3581-00	CHAMBER, air			1	1	
15	90480-12053	GROMMET	1	1	1	1	
16	92501-06014	SCREW, pan head	1				
	98507-06016	SCREW, pan head		1	1	1	
17	90201-06067	WASHER, plate	1				
	90201-06380	WASHER, plain		1	1	1	
18	90445-21551	HOSE	1	1	1	1	
19	90501-20618	SPRING, compression	1				
20	90460-23171	CLAMP, hose	1				
	90450-25037	CLAMP, hose		1	1	1	
21	90467-20050	CLIP	1	1	1	1	
22	5T4-E4401-00	AIR CLEANER CASE ASSY	1	1	1	1	
23	5T4-E4451-01	ELEMENT, air cleaner	1	1	1	1	
24	5T4-E4402-00	CAP ASSY, air cleaner	1	1	1	1	
25	92501-06040	SCREW, pan head	3				
	98507-06040	SCREW, pan head		3	3	3	

FIG. 4 INTAKE



1EF460-5041

REF. NO.	PART NO.	DESCRIPTION	T	Y	P	E	REMARKS
			3HB5 94	3HB6 95	3HB7 96	3HB7 97	
26	92901-06200	WASHER, plain	3				
	92907-06200	WASHER		3	3	3	
27	90480-12053	GROMMET	1	1	1	1	
28	90480-14023	GROMMET	1				
	90480-14102	GROMMET		1	1	1	
29	90387-07390	COLLAR	1	1	1	1	
30	90201-06067	WASHER, plate	2				
	90201-06380	WASHER, plain		2	2	2	
31	97001-06025	BOLT	1				
	97007-06025	BOLT		1	1	1	
32	92501-06014	SCREW, pan head	1				
	98507-06016	SCREW, pan head		1	1	1	

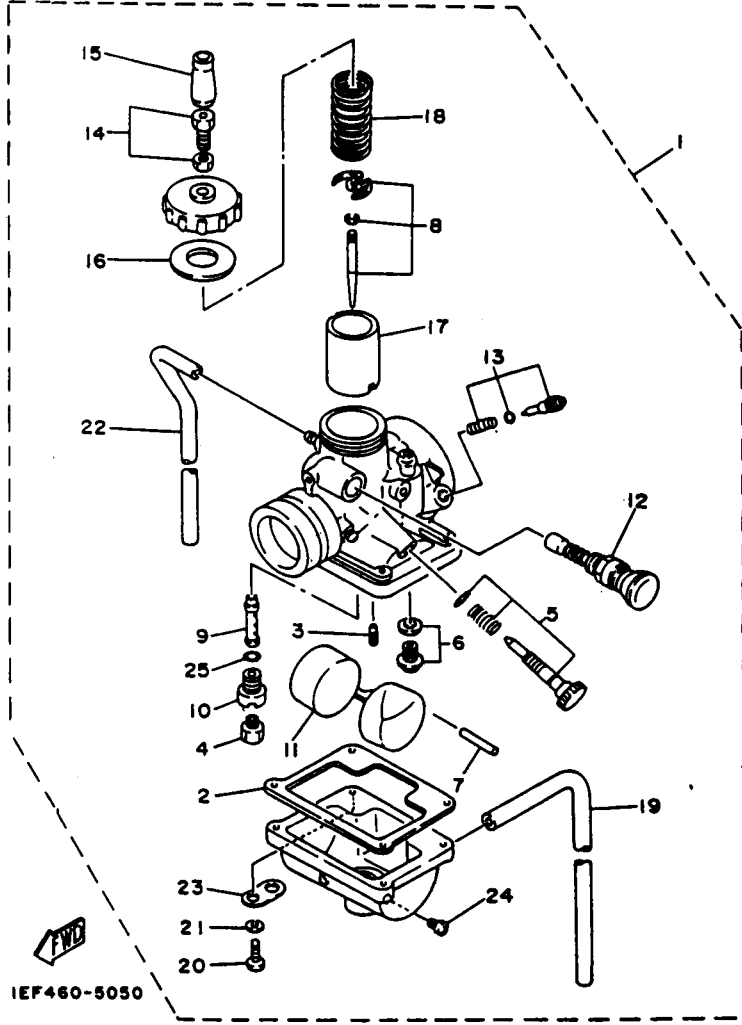
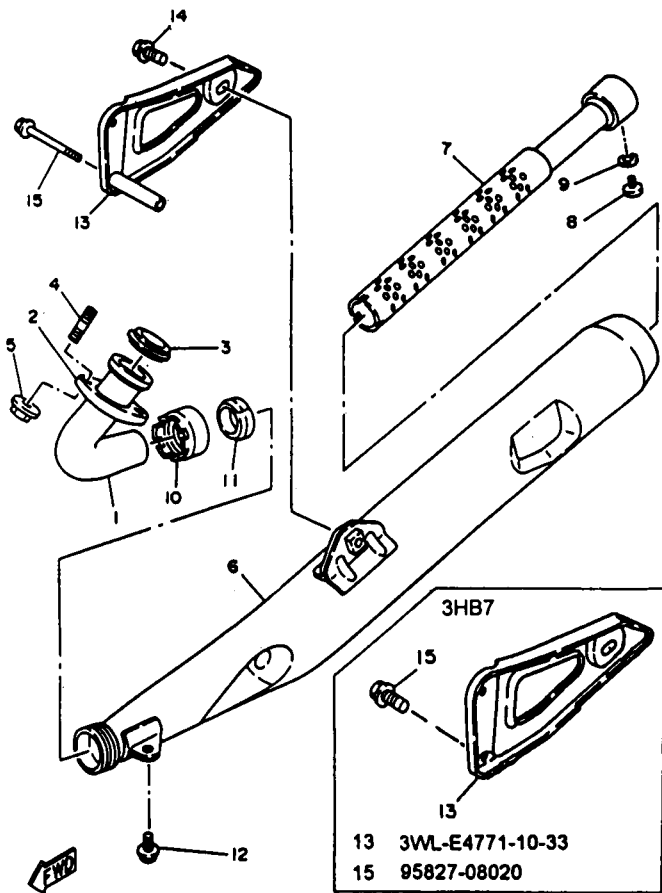


FIG. 5 CARBURETOR

REF. NO.	PART NO.	DESCRIPTION	TYPE				REMARKS
			3HB5 94	3HB6 95	3HB7 96	3HB7 97	
1	4X8-14101-03	CARBURETOR ASSY 1	1	1	1	1	
2	304-14184-00	GASKET, float chamber	1	1	1	1	
3	260-14142-17	JET, pilot (#17.5)	1	1	1	1	
4	137-14143-26-A0	JET, main (#130)	1	1	1	1	
	137-14143-25-A0	JET, main (#125)	1	1	1	1	
	137-14143-27	JET, main (#135)	1	1	1	1	
5	31J-14103-00	THROTTLE SCREW SET	1	1	1	1	
6	31J-14107-00	NEEDLE VALVE SET	1	1	1	1	
7	127-14188-00	PIN, float	1	1	1	1	
8	4X8-1490J-00	NEEDLE SET	1	1	1	1	
9	2F5-14141-34	NOZZLE, main	1	1	1	1	
10	2N4-14145-00	HOLDER	1	1	1	1	
11	304-14185-00	FLOAT	1	1	1	1	
12	4U5-14171-00	PLUNGER, starter	1	1	1	1	
13	10W-14104-00	AIR SCREW SET	1	1	1	1	
14	31J-14106-00	CABLE ADJUST SCREW S	1	1	1	1	
15	307-14169-10	CAP	1	1	1	1	
16	193-14128-00	GASKET	1	1	1	1	
17	304-14112-15	VALVE, throttle 1	1	1	1	1	
18	3X3-14131-00	SPRING, throttle valve	1	1	1	1	
19	183-14196-00	PIPE	1	1	1	1	
20	98511-04016	SCREW, pan head	4	4	4	4	
21	92902-04100	WASHER, spring	4	4	4	4	
22	183-14197-01	PIPE	1	1	1	1	
23	132-14146-00	PLATE	1	1	1	1	
24	12R-14191-00	PLUG, drain	1	1	1	1	
25	214-14147-00	O-RING	1	1	1	1	

IEF460-5050



3WL1460-0060

FIG. 6 EXHAUST

REF. NO.	PART NO.	DESCRIPTION	T Y P E				REMARKS
			3HB5 94	3HB6 95	3HB7 96	3HB7 97	
1	4X8-E4611-01-93	PIPE, exhaust	1	1	1	1	CHRM PLATED
2	1V1-14612-00	NUT, ring	1	1	1	1	
3	152-14613-00	GASKET, exhaust pipe					
	3PA-14613-10	GASKET, exhaust pipe	1	1	1	1	
4	90116-08166	BOLT, stud	2	2	2	2	
5	95707-08500	NUT, flange	2	2	2	2	
6	3WL-E4711-01-93	MUFFLER 1	1	1	1	1	CHRM PLATED
7	4X8-E4753-00	SILENCER, exhaust	1	1	1	1	
8	92501-06010	SCREW, pan head					
	98507-06010	SCREW, pan head	1	1	1	1	
9	92990-06100	WASHER, spring					
	92907-06100	WASHER, spring	1	1	1	1	
10	360-14713-00	NUT, muffer joint	1	1	1	1	
11	3M5-14714-01	GASKET, muffer					
	3FL-14714-01	GASKET, muffer	1	1	1	1	
12	95801-08016	BOLT, flange					
	95807-08016	BOLT, flange	1	1	1	1	
13	3WL-E4771-00-33	STAY, muffer 1	1				YAMAHA BLACK
	3WL-E4771-10-33	STAY, muffer 1		1	1	1	YAMAHA BLACK
14	95807-10022	BOLT, flange	1	1	1	1	
15	95827-08075	BOLT, flange	1				
	95827-08020	BOLT, flange		1	1	1	

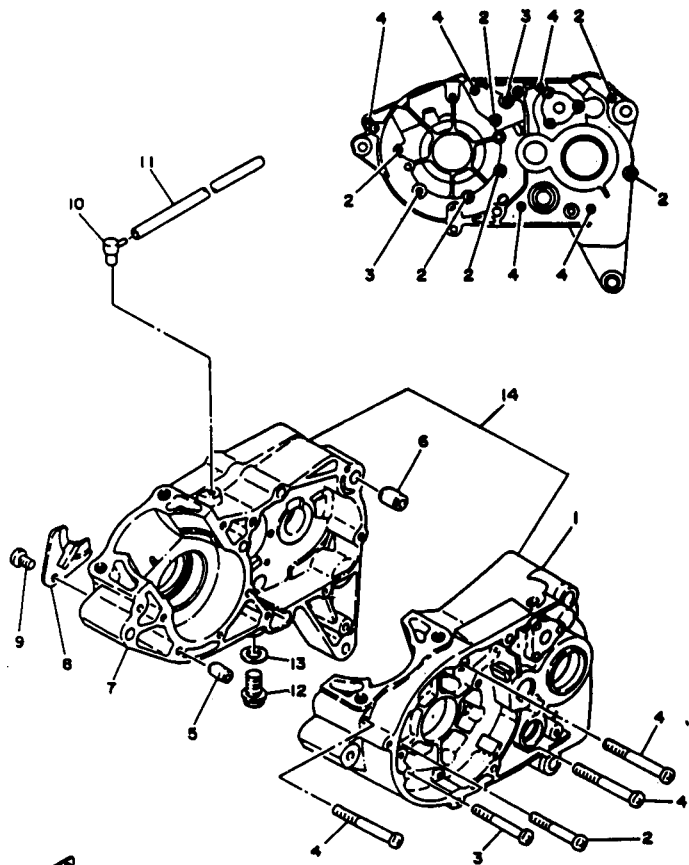
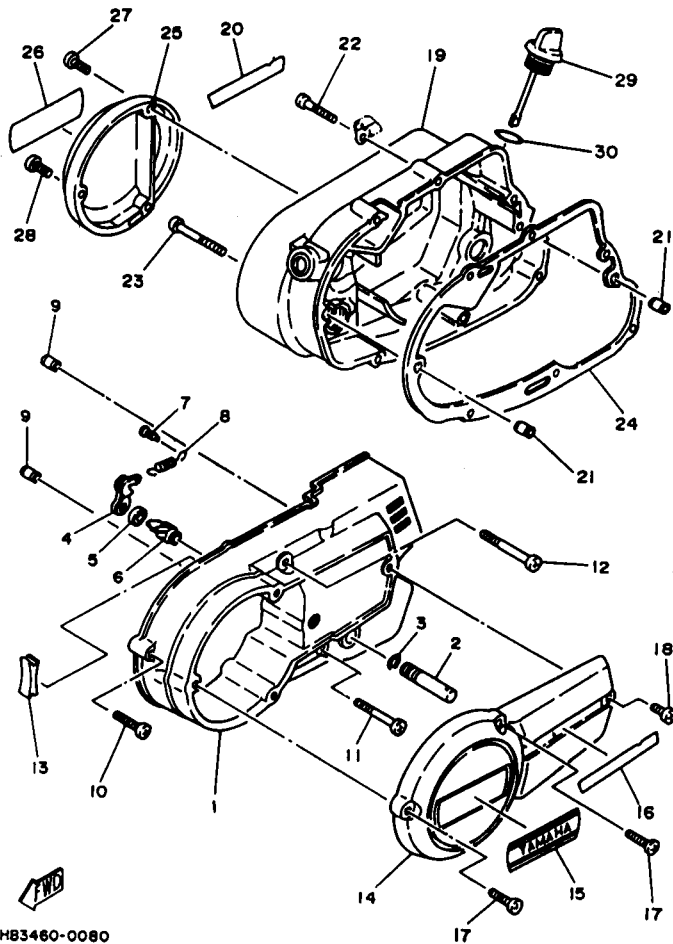


FIG. 7 CRANKCASE

REF. NO.	PART NO.	DESCRIPTION	TYPE				REMARKS
			T 3HB5 94	Y 3HB6 95	P 3HB7 96	E 3HB7 97	
1	#	CRANKCASE 1	1	1	1	1	
2	98507-06045	SCREW, pan head	6	6	6	6	
3	98507-06055	SCREW, pan head	2	2	2	2	
4	98507-06065	SCREW, pan head	5	5	5	5	
5	99530-10014	PIN, dowel	1	1	1	1	
6	99530-14016	PIN, dowel	1	1	1	1	
7	#	CRANKCASE 2	1	1	1	1	
8	304-15128-00	HOLDER	1	1	1	1	
9	98507-08010	SCREW, pan head	1	1	1	1	
10	120-15371-00	BREATHER	1	1	1	1	
11	90446-07009	HOSE	1	1	1	1	
12	90340-12005	PLUG, straight screw	1	1	1	1	
13	90430-12812	GASKET	1	1	1	1	
14	3HB-E5150-00	CRANKCASE ASSY	1	1	1	1	



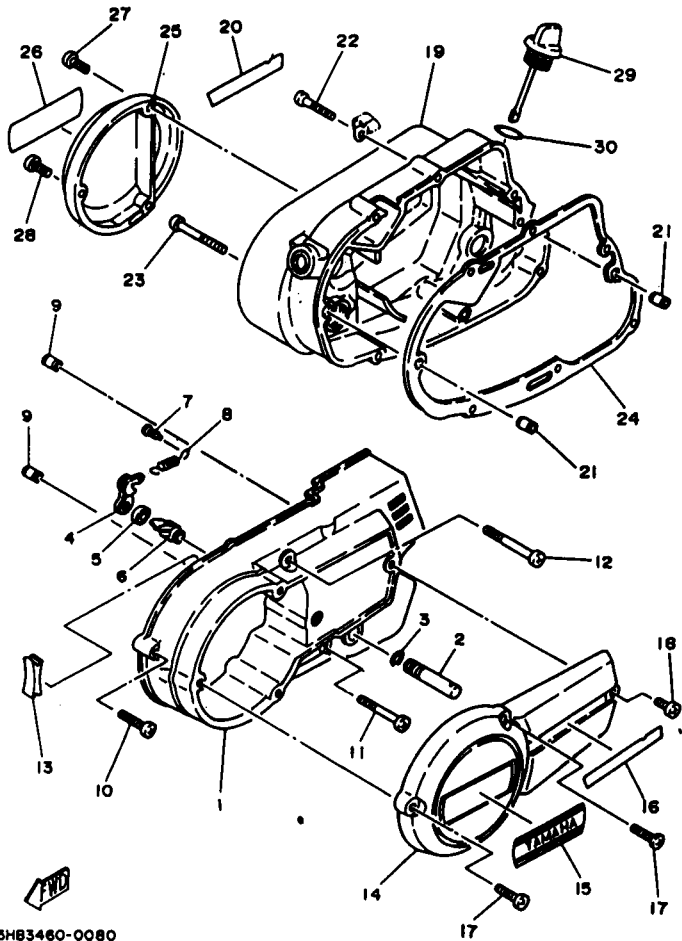
3HB3460-0080

FIG. 8 CRANKCASE COVER 1

REF. NO.	PART NO.	DESCRIPTION					REMARKS
			T 3HB5 94	Y 3HB6 95	P 3HB7 96	E 3HB7 97	
1	3HB-E5411-00-33	CRANKCASE COVER 1	1	1	1	1	YAMAHA BLACK
2	307-18188-01	AXLE, pawl holder	1	1	1	1	
3	93440-11029	CIRCLIP	1	1	1	1	
4	3M5-16342-00 3KA-16342-00	LEVER, push LEVER, push	1	1			
5	93104-10085 93104-11028	OIL SEAL OIL SEAL	1				
6	241-16341-01	SCREW, push	1	1	1	1	
7	132-16346-00	HOOK, spring	1	1	1	1	
8	90506-10069	SPRING, tension	1	1	1	1	
9	99530-10014	PIN, dowel	2	2	2	2	
10	92516-06030 98507-06030	SCREW, pan head SCREW, pan head	2				
11	92506-06045 98507-06045	SCREW, pan head SCREW, pan head	1				
12	92506-06055 98507-06055	SCREW, pan head SCREW, pan head	1				
13	248-15357-00	GROMMET	1	1	1	1	
14	3HB-E5415-00-33	COVER, generator	1	1	1	1	YAMAHA BLACK
15	4X8-15435-00	EMBLEM	1	1	1	1	
16	4X8-15443-00	EMBLEM	1	1	1	1	
17	92506-06025 98507-06025	SCREW, pan head SCREW, pan head	3				
18	92506-06016 98507-06016	SCREW, pan head SCREW, pan head	1	3	3	3	
19	3HB-E5421-00-33	COVER, crankcase 2	1	1	1	1	YAMAHA BLACK
20	4X8-15447-01	EMBLEM	1	1	1	1	
21	99530-10014	PIN, dowel	2	2	2	2	
22	92506-06035 98507-06035	SCREW, pan head SCREW, pan head	6				
23	92506-06055 98507-06055	SCREW, pan head SCREW, pan head	1	6	6	6	
				1	1	1	

Continuar

173HB-460E2

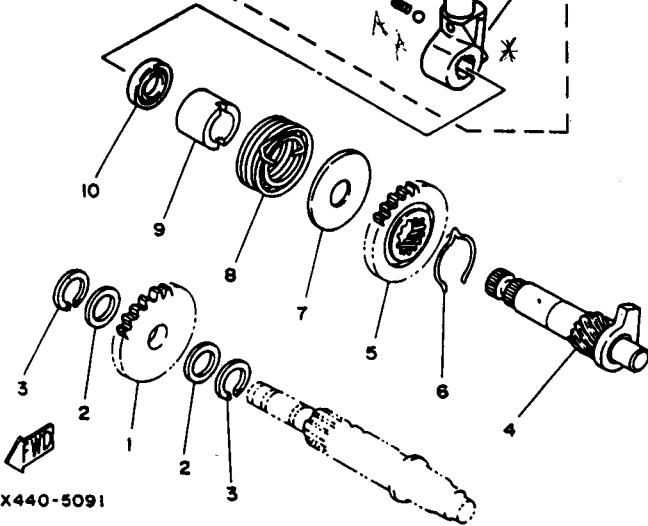
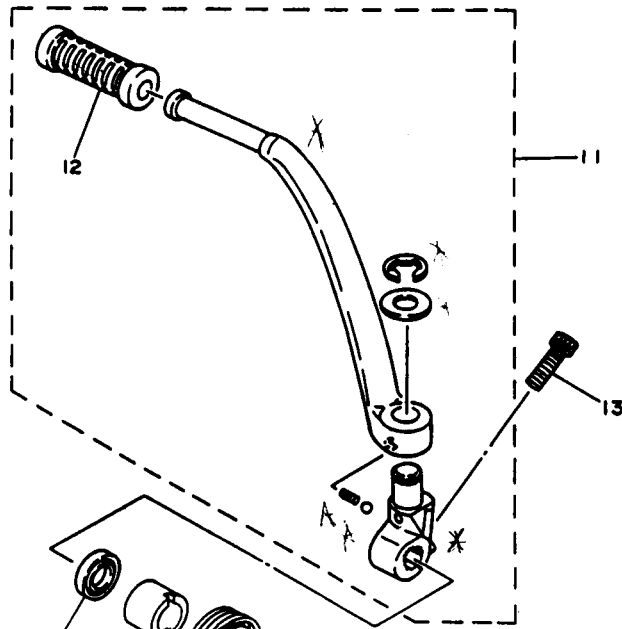


3H83460-0080

FIG. 8 CRANKCASE COVER 1

REF. NO.	PART NO.	DESCRIPTION	T	Y	P	E	REMARKS
			3HB5 94	3HB6 95	3HB7 96	3HB7 97	
24	3KA-E5451-00	GASKET, crankcase cover 1	1	1	1	1	YAMAHA BLACK
25	3HB-E5416-00-33	COVER, oil pump	1	1	1	1	
26	4X8-15435-00	EMBLEM	1	1	1	1	
27	92506-06025	SCREW, pan head	2				
	98507-06025	SCREW, pan head		2	2	2	
28	92506-06025	SCREW, pan head	1				
	98507-06025	SCREW, pan head		1	1	1	
29	1TN-E5362-00	PLUG, oil level	1	1	1	1	
30	93210-19123	O-RING	1	1	1	1	

Regresar

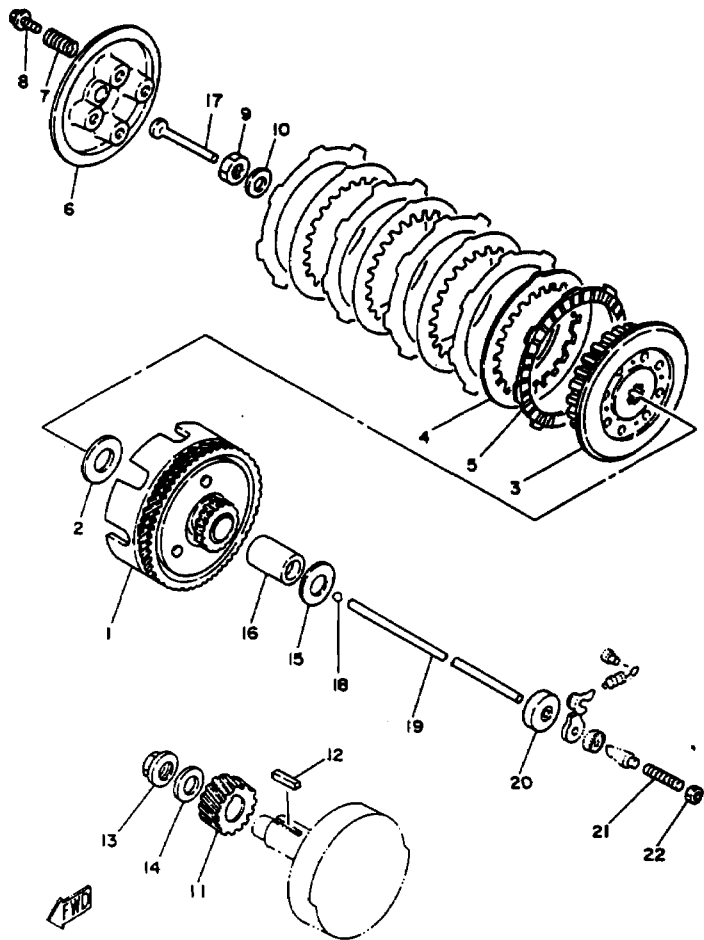


58X440-5091

FIG. 9 STARTER

REF. NO.	PART NO.	DESCRIPTION	T Y P E				REMARKS
			3HB5 94	3HB6 95	3HB7 96	3HB7 97	
1	525-15851-00	GEAR, kick idle (25T)	1	1	1	1	
2	137-17417-00-05	SHIM 1 (0.5T)	2	2	2	2	
	137-17417-00-06	SHIM 1 (0.6T)	2	2	2	2	
	137-17417-00-07	SHIM 1 (0.7T)	2	2	2	2	
	137-17417-00-10	SHIM 1 (1.0T)	2	2	2	2	
	137-17417-00-12	SHIM 1 (1.2T)	2	2	2	2	
3	93440-15012	CIRCLIP	1	1	1	1	
4	4F2-15860-01	KICK AXLE ASSY	1	1	1	1	
5	1W1-15641-00	GEAR, kick idle (27T)	1	1	1	1	
6	90468-26048	CLIP	1	1	1	1	
7	401-15876-00	COVER, spring	1	1	1	1	
8	90508-26484	SPRING, torsion	1	1	1	1	
9	4F2-15866-00	SPACER	1	1	1	1	
10	93101-17826	OIL SEAL	1	1	1	1	93101-17062
11	3HB-E5620-00	KICK CRANK ASSY	1	1	1	1	
12	3RS-E5618-00	COVER, kick lever	1	1	1	1	1EG-E5618-00
13	91317-08025	BOLT, hex. Socket head	1	1	1	1	

* Omission 300 200



58X440-5100

FIG. 10 CLUTCH

REF. NO.	PART NO.	DESCRIPTION	TYPE				REMARKS
			3HB5 94	3HB6 95	3HB7 96	3HB7 97	
1	4X8-16150-01	PRIMARY DRIVEN GEAR C	1	1	1	1	
2	131-16154-00	PLATE, thrust 1	1	1	1	1	
3	1V1-16371-02	BOSS, clutch	1	1	1	1	
4	1V1-16324-00	PLATE, clutch 1	4	4	4	4	
5	598-16321-01	PLATE, friction	5	5	5	5	
6	598-16351-00	PLATE, pressure 1	1	1	1	1	
7	90501-20568	SPRING, compression	4	4	4	4	
8	90119-05020	BOLT, with washer	4	4	4	4	
9	90170-12060	NUT	1	1	1	1	
10	90208-12015	WASHER, conical spring	1	1	1	1	
11	401-16111-00-30	GEAR, primary drive Ⓢ	1	1	1	1	
12	90282-05005	KEY, stright	1	1	1	1	
13	90179-12659	NUT	1	1	1	1	
14	90208-12015	WASHER, conical spring	1	1	1	1	
15	90201-17558	WASHER, plate	1	1	1	1	
16	90560-17147	SPACER	1	1	1	1	
17	137-16356-00	ROD, push 1	1	1	1	1	
18	95303-16003	BALL	1	1	1	1	
19	560-16357-00	ROD, push 2	1	1	1	1	
20	93109-05815	OIL SEAL	1	1	1	1	93109-05022
21	90113-06013	BOLT, set	1	1	1	1	
22	95303-06600	NUT	1	1	1	1	

173HB-460E2

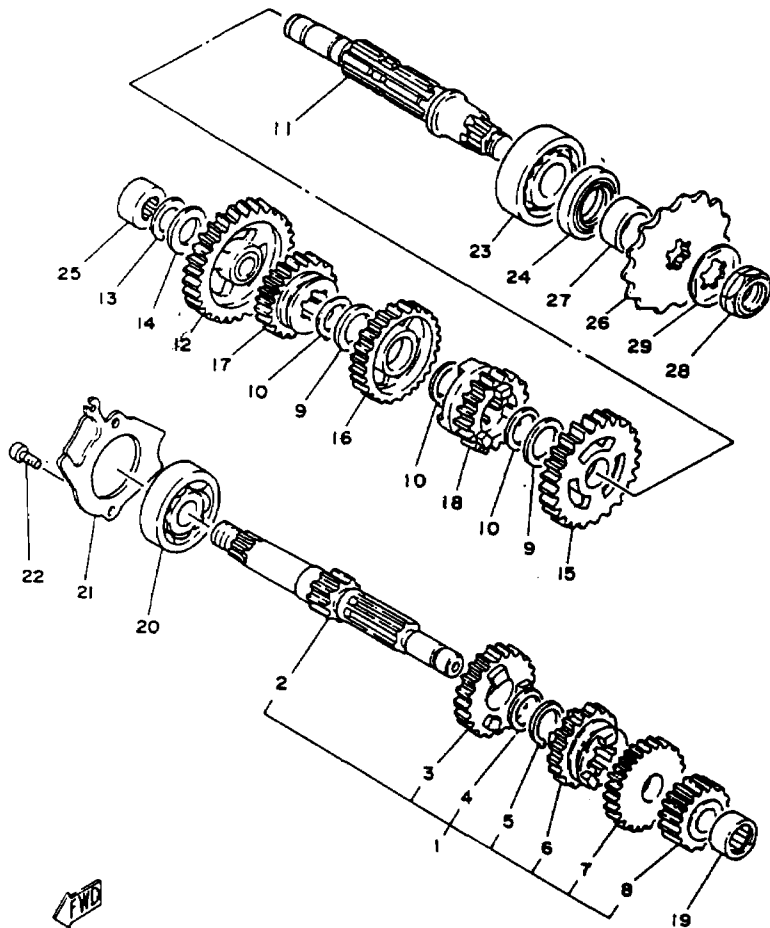


FIG. 11 TRANSMISSION

REF. NO.	PART NO.	DESCRIPTION	TYPE				REMARKS
			3HB5 94	3HB6 95	3HB7 96	3HB7 97	
1	3M5-17410-00	MAIN AXLE ASSY	1	1	1	1	
2	1V1-17411-01	AXLE, main	1	1	1	1	
3	3M5-17141-01	GEAR, 4th pinion (22T)	1	1	1	1	
4	90201-20266	WASHER, plate (1.0T)	1	1	1	1	
5	93410-20038	CIRCLIP	1	1	1	1	
6	3M5-17131-01	GEAR, 3rd pinion (19T)	1	1	1	1	
7	3M5-17151-01	GEAR, 5th pinion (24T)	1	1	1	1	
8	427-17121-01	GEAR, 2nd pinion (16T)	1	1	1	1	
9	90201-20266	WASHER, plate (1.0T)	2	2	2	2	
10	93410-20038	CIRCLIP	3	3	3	3	
11	558-17421-00	AXLE, drive	1	1	1	1	
12	3M5-17211-01	GEAR, 1st wheel (34T)	1	1	1	1	
13	93440-15012	CIRCLIP	1	1	1	1	
14	164-17427-00-06	SHIM 1 (0.6T)	1	1	1	1	UR
	90201-156F8	WASHER, plate (0.8T)	1	1	1	1	UR
	164-17427-00-10	SHIM 1 (1.0T)	1	1	1	1	UR
15	3M5-17221-00	GEAR, 2nd wheel (30T)	1	1	1	1	
16	3M5-17231-00	GEAR, 3rd wheel (26T)	1	1	1	1	
17	3M5-17241-01	GEAR, 4th wheel (24T)	1	1	1	1	
18	3M5-17251-01	GEAR, 5th wheel (22T)	1	1	1	1	
19	93311-31515	BEARING, cylindrical	1	1	1	1	
20	93306-303Y1	BEARING (B6303ZZ)	1	1	1	1	93306-30309
21	403-17471-00	PLATE, cover	1	1	1	1	
22	98507-06012	SCREW, pan head	2	2	2	2	
23	93306-304Y1	BEARING	1	1	1	1	93306-30435
24	93102-26861	OIL SEAL	1	1	1	1	93102-26042
25	93311-31515	BEARING, cylindrical	1	1	1	1	
26	93822-15065	SPROCKET, drive 15T	1	1	1	1	
27	90387-20491	COLLAR	1	1	1	1	
28	90179-16226	NUT	1	1	1	1	
29	90215-16127	WASHER, lock	1	1	1	1	



58X440-5110

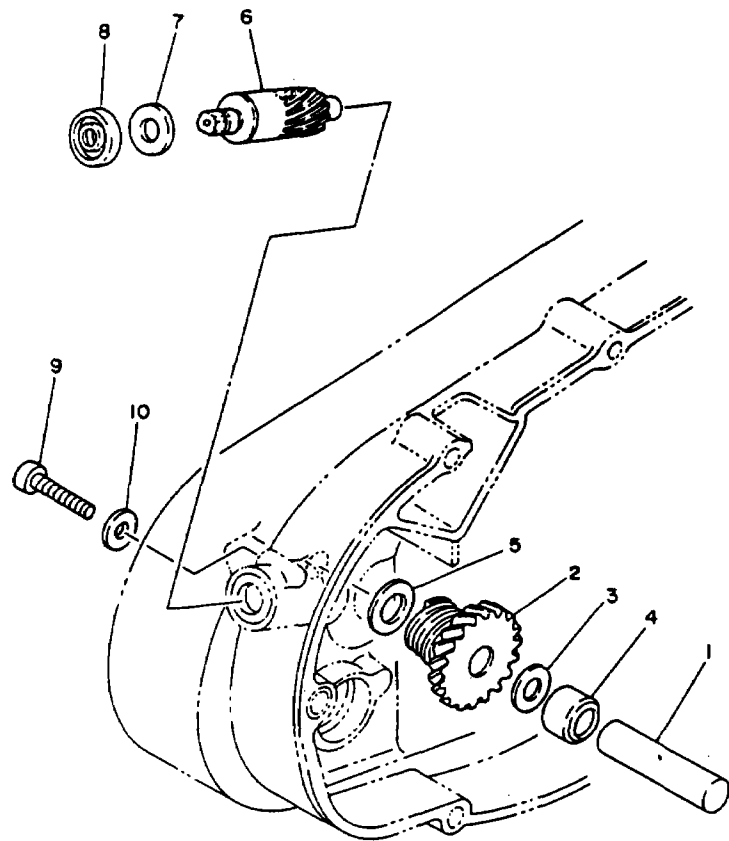
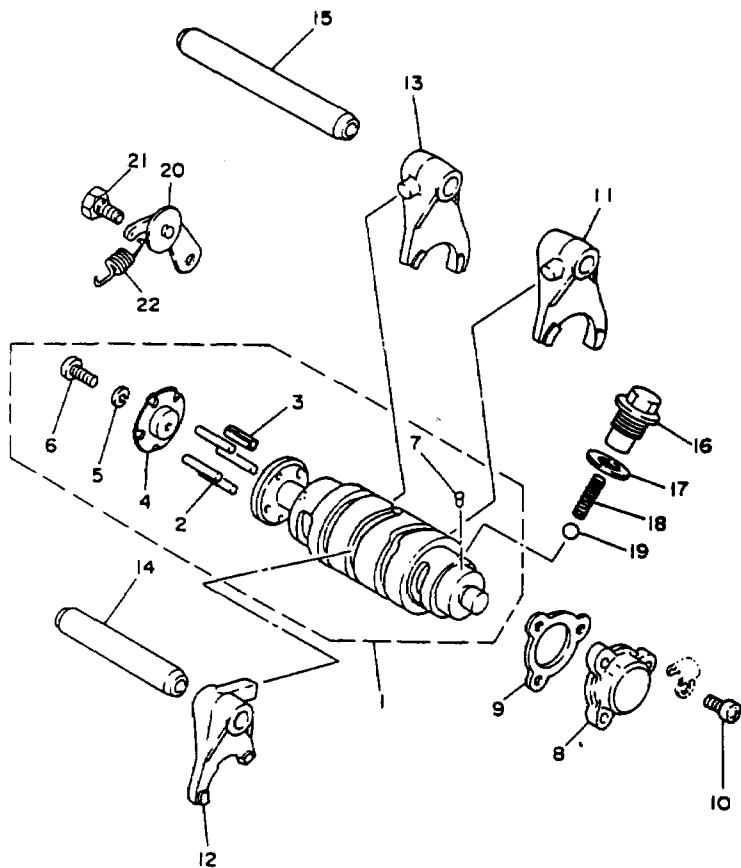


FIG. 12 TACHOMETER GEAR

REF. NO.	PART NO.	DESCRIPTION	T Y P E				REMARKS
			3HB5 94	3HB8 95	3HB7 96	3HB7 97	
1	248-17861-00	AXLE, drive gear	1	1	1	1	
2	443-17831-02	GEAR, drive	1	1	1	1	
3	137-13148-00	PLATE, cam thrust	1	1	1	1	
4	90387-10087	COLLAR	1	1	1	1	
5	248-17837-00	SHIM	1	1	1	1	
6	1V1-17841-00	GEAR, driven (15T)	1	1	1	1	
7	90201-12163	WASHER, plate	1	1	1	1	
8	93109-08017	OIL SEAL	1	1	1	1	
9	98907-06025	SCREW, bind	1	1	1	1	
10	90430-06017	GASKET	1	1	1	1	

FWD

IEF460-5120



58X440-5130

FIG. 13 SHIFT CAM FORK

REF. NO.	PART NO.	DESCRIPTION	TYPE				REMARKS
			3HB5 94	3HB6 95	3HB7 96	3HB7 97	
1	3M5-18540-01	SHIFT CAM ASSY	1	1	1	1	
2	93804-22050	. PIN, dowel	4	4	4	4	
3	91809-50016	. PIN, spring	1	1	1	1	
4	164-18561-00	. PLATE, side 1	1	1	1	1	
5	#	. WASHER, spring	1	1	1	1	
6	97607-05112	. SCREW, pan head (+)	1	1	1	1	
7	136-18542-00	. POINT, neutral	1	1	1	1	
8	164-18589-00	PLUG, blind	1	1	1	1	
9	3KA-E8579-00	GASKET, plug blind	1	1	1	1	
10	98507-06010	SCREW, pan head	3	3	3	3	
11	3M5-18511-01	FORK, shift 1	1	1	1	1	
12	3M5-18512-00	FORK, shift 2	1	1	1	1	
13	3M5-18513-00	FORK, shift 3	1	1	1	1	
14	2A6-18531-00	BAR, shift fork guide 1	1	1	1	1	
15	2A6-18535-00	BAR, shift fork guide 2	1	1	1	1	
16	90109-14385	BOLT	1	1	1	1	
17	3KA-E5353-00	GASKET, drain	1	1	1	1	
18	90501-10353	SPRING, compression	1	1	1	1	
19	93505-16006	BALL	1	1	1	1	
20	3M5-18140-00	STOPPER LEVER ASSY	1	1	1	1	
21	90109-06001	BOLT	1	1	1	1	
22	90506-09112	SPRING, tension	1	1	1	1	

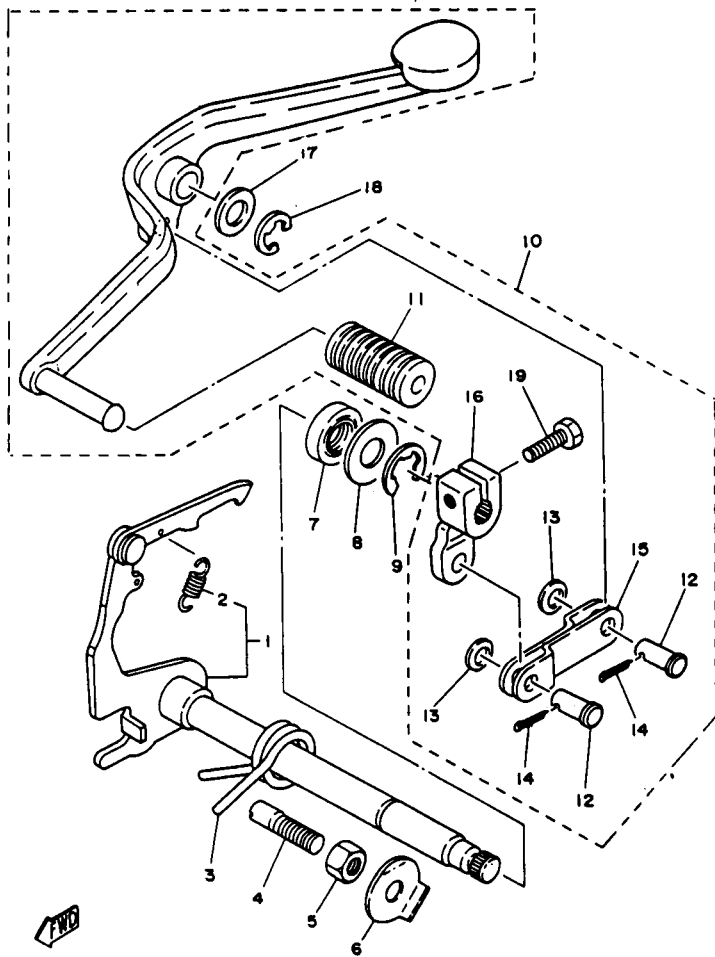


FIG. 14 SHIFT SHAFT

REF. NO.	PART NO.	DESCRIPTION					REMARKS
			T 3HB5 94	Y 3HB6 95	P 3HB7 96	E 3HB7 97	
1	3M5-18101-01	SHIFT SHAFT ASSY	1	1	1	1	
2	90508-08122	SPRING, tension	1	1	1	1	
3	90508-32283	SPRING, tension	1	1	1	1	
4	90149-08094	SCREW	1	1	1	1	
5	90170-08029	NUT	1	1	1	1	
6	90215-08014	WASHER, lock	1	1	1	1	
7	93109-14816	OIL SEAL	1	1	1	1	
8	90201-14586	WASHER, plate	1	1	1	1	
9	99001-12600	CIRCLIP	1	1	1	1	
10	1TN-E8110-00	PEDAL SHIFT ASSY	1	1	1	1	
11	1EG-E8113-01	COVER, shift pedal	1	1	1	1	
12	90240-08053	PIN, clevis	2	2	2	2	
13	90201-08085	WASHER, plate	2	2	2	2	
14	91401-16012	PIN, cotter	2	2	2	2	
15	336-18115-00	ROD, shift	1	1	1	1	
16	4X8-18112-00	ARM, shift	1	1	1	1	
17	90201-122H2	WASHER, plate	1	1	1	1	
18	99001-10600	CIRCLIP	1	1	1	1	
19	97027-06020	BOLT	1	1	1	1	

58X440-5140

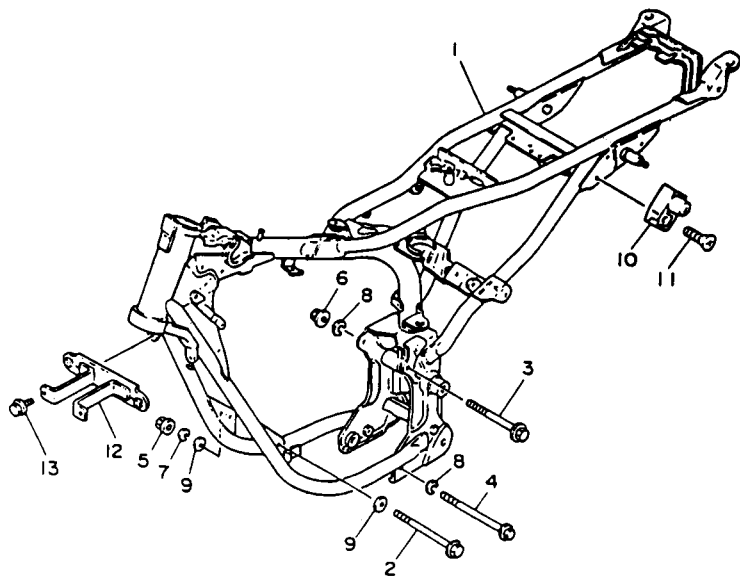
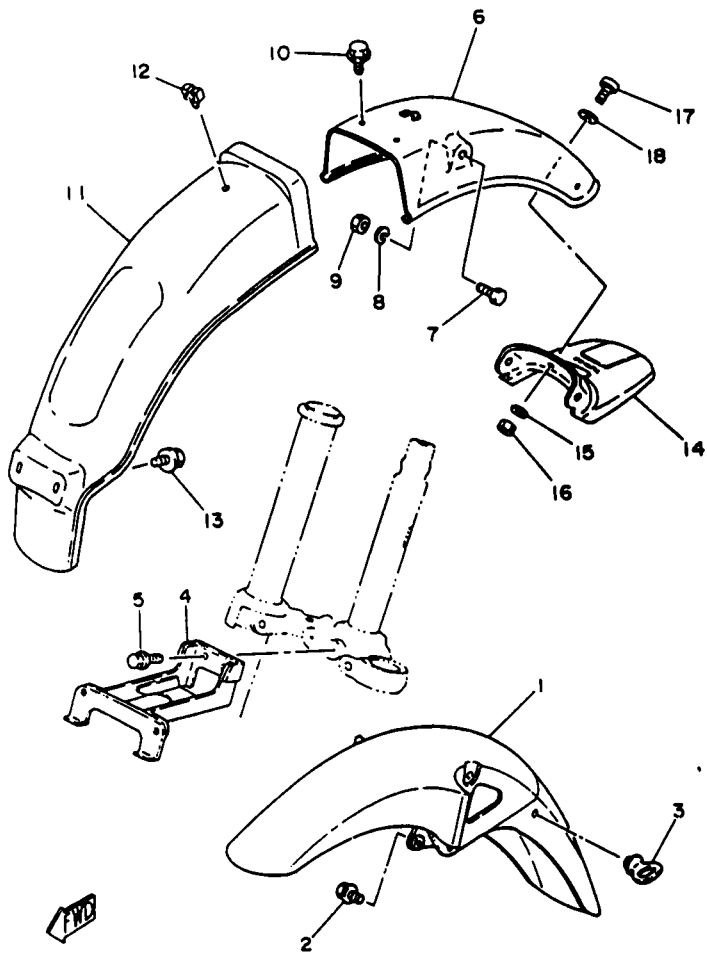


FIG. 15 FRAME

REF. NO.	PART NO.	DESCRIPTION	T Y P E				REMARKS
			3HB6 94	3HB6 95	3HB7 96	3HB7 97	
1	5T4-F1110-03-33	FRAME COMP.	1	1			YAMAHA BLACK YAMAHA BLACK
	3HB-F1110-00-33	FRAME COMP.			1	1	
2	90105-08099	BOLT, washer based	1	1	1	1	
3	90105-10039	BOLT, flange					
	90105-10747	BOLT, flange	1	1	1	1	
4	90105-10040	BOLT, flange	1	1	1	1	
5	95701-08500	NUT, flange					
	95707-08500	NUT, flange	1	1	1	1	
6	95701-10500	NUT, flange					
	95707-10500	NUT, flange	1	1	1	1	
7	92990-08100	WASHER, spring					
	92907-08100	WASHER, spring	1	1	1	1	
8	92901-10100	WASHER, spring					
	92907-10100	WASHER, spring	2	2	2	2	
9	90209-08050	WASHER	2	2	2	2	
10	5T4-F1398-V0	HANGER, helmet	1	1	1	1	
11	92701-06030	SCREW, flat head					
	98707-06030	SCREW, flat head	1	1	1	1	
12	4X8-21343-00	BRACKET, horn	1	1	1	1	
13	95828-06010	BOLT, flange					
	95807-06010	BOLT, flange	2	2	2	2	



ITN460-6150



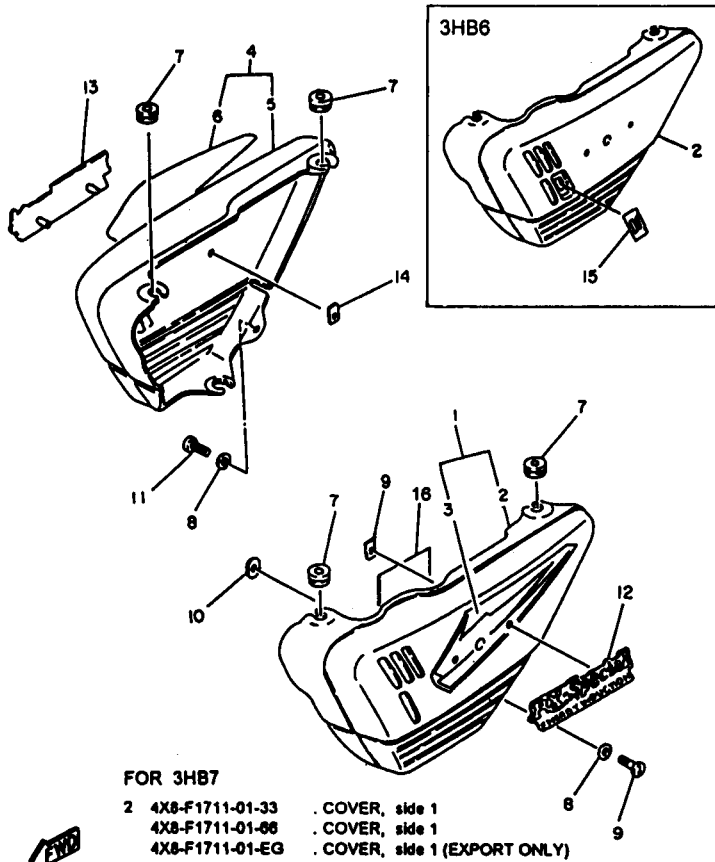
3HB3460-0160

FIG. 16 FENDER

REF. NO	PART NO.	DESCRIPTION	TYPE				REMARKS
			3HB6 94	3HB6 95	3HB7 96	3HB7 97	
1	3RS-F1510-02-33 #	FRONT FENDER	1	1	1	1	YAMAHA BLACK VR D BLUE MTL
	3RS-F1510-02-EG	FRONT FENDER			1	1	
2	91017-06016	BOLT, flange	4	4	4	4	
3	1A8-21518-00	HOLDER, cable	1	1	1	1	
4	29N-21581-00	STAY, plate fitting 1 (FOR DOM)	1	1	1	1	
5	95807-06012	BOLT, flange (FOR DOM)	1	1	1	1	
6	4X8-F1610-00-33 #	REAR FENDER COMP. REAR FENDER COMP.	1	1	1	1	YAMAHA BLACK VR D BLUE MTL
7	97007-08020	BOLT	2	2	2	2	
8	92907-08100	WASHER, spring	2	2	2	2	
9	95307-08600	NUT	2	2	2	2	
10	95807-06012	BOLT, flange	2	2	2	2	
11	29N-F1629-00	GUARD, mud	1	1	1	1	
12	90464-08020	CLAMP	1	1	1	1	
13	90119-06056	BOLT, with washer	2	2	2	2	
14	4X8-21621-00	FLAP	1	1	1	1	
15	90201-05036	WASHER, plate	3	3	3	3	
16	95307-05600	NUT	3	3	3	3	
17	97607-05216	SCREW, pan head w/ washer	3	3	3	3	
18	#	WASHER, plate	3	3	3	3	

173HB-460E2

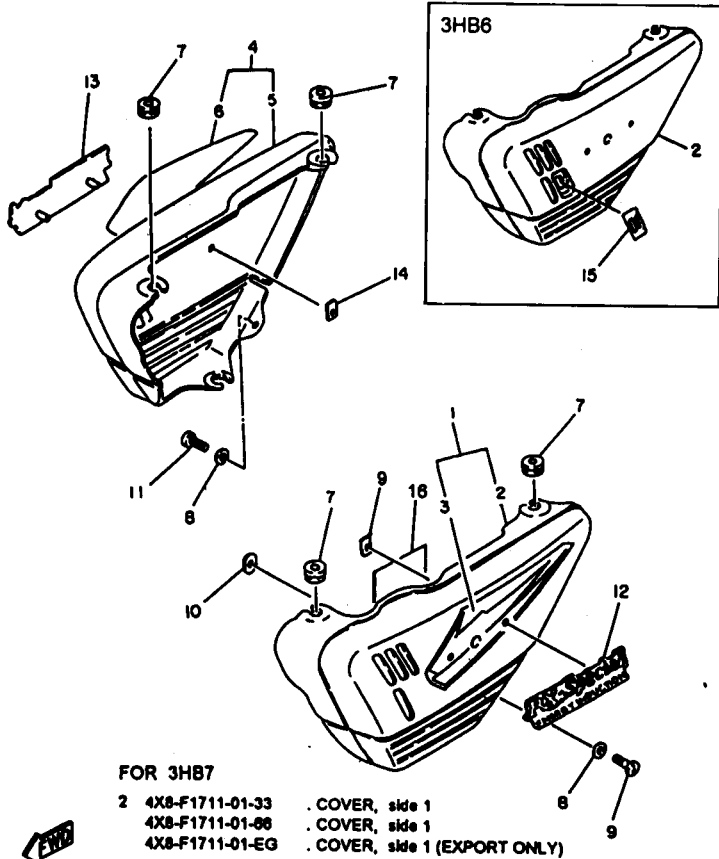
FIG. 17 SIDE COVER



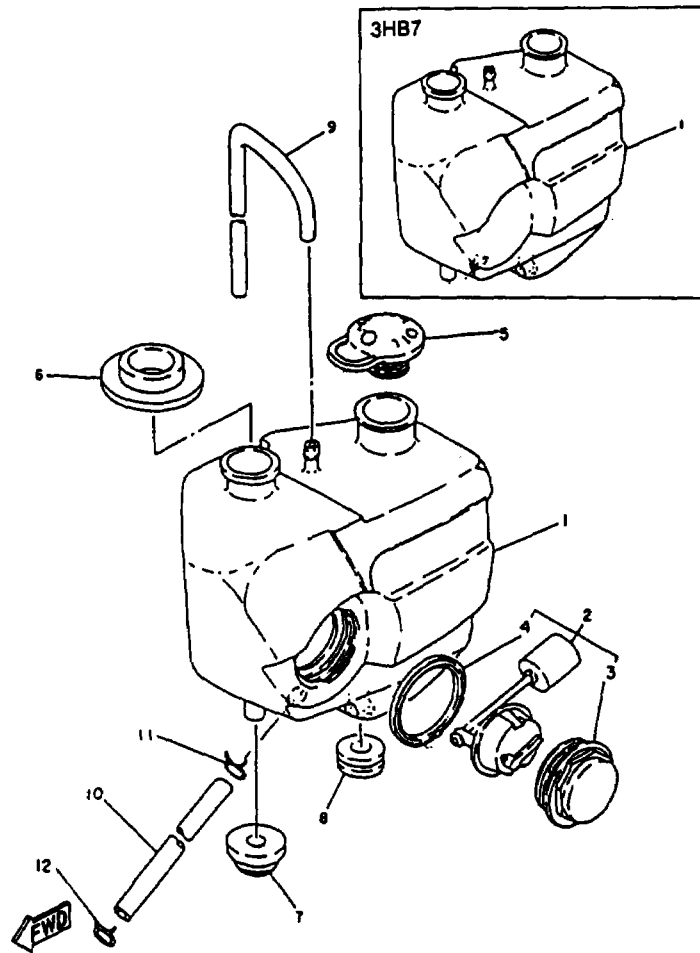
REF. NO.	PART NO.	DESCRIPTION	TYPE				REMARKS
			T 3HB6 94	Y 3HB6 95	P 3HB7 96	E 3HB7 97	
1	3HB-F1710-30-33	COVER SIDE 1 ASSY (KIT)	1	1			BLUE, graphic
	3HB-F1710-40-33	COVER SIDE 1 ASSY (KIT)		1			BLUE, graphic
	#	COVER SIDE 1 ASSY (KIT)			1		BLUE, graphic
	3HB-F1710-50-33	COVER SIDE 1 ASSY (KIT)			1		RED, graphic
	3HB-F1710-00-EG	COVER SIDE 1 ASSY (KIT)			1		YELLOW, graphic
	3HB-F1710-60-33	COVER SIDE 1 ASSY (KIT)				1	YB.RED
	#	COVER SIDE 1 ASSY (KIT)				1	VDBM3.GREEN
	3HB-F1710-10-EG	COVER SIDE 1 ASSY (KIT)				1	MAPLE RED
2	4X8-F1711-00-33	. COVER, side 1	1	1			YAMAHA BLACK
	4X8-F1711-01-33	. COVER, side 1			1	1	YAMAHA BLACK
	#	. COVER, side 1			1	1	VR D BLUE MTL
	4X8-F1711-01-EG	. COVER, side 1			1	1	MAPLE RED
3	3HB-F174G-60	. GRAPHIC 1	1	1			BLUE, graphic
	3HB-F174G-70	. GRAPHIC 1		1			BLUE, graphic
	#	. GRAPHIC 1			1		RED, graphic
	3HB-F174G-90	. GRAPHIC 1			1		YELLOW, graphic
	3HB-F174G-A0	. GRAPHIC 1			1		RED GRP.
	3HB-F174G-F0	. GRAPHIC 1				1	GREEN GRP.
	#	. GRAPHIC 1				1	MR
	3HB-F174G-G0	. GRAPHIC 1				1	MR
4	3HB-F1720-30-33	COVER SIDE 2 ASSY (KIT)	1	1			BLUE, graphic
	3HB-F1720-40-33	COVER SIDE 2 ASSY (KIT)		1			BLUE, graphic
	#	COVER SIDE 2 ASSY (KIT)			1		BLUE, graphic
	3HB-F1720-50-33	COVER SIDE 2 ASSY (KIT)			1		RED, graphic
	3HB-F1720-00-EG	COVER SIDE 2 ASSY (KIT)			1		YELLOW, graphic
	3HB-F1720-60-33	COVER SIDE 2 ASSY (KIT)				1	YB.RED
	#	COVER SIDE 2 ASSY (KIT)				1	VDBM3.GREEN
	3HB-F1720-10-EG	COVER SIDE 2 ASSY (KIT)				1	MAPLE RED
5	4X8-F1721-00-33	. COVER, side 2	1	1	1	1	YAMAHA BLACK
	#	. COVER, side 2			1	1	VR D BLUE MTL

ITM460-6170

FIG. 17 SIDE COVER



REF. NO.	PART NO.	DESCRIPTION	T Y P E				REMARKS
			3HB6 94	3HB6 95	3HB7 96	3HB7 97	
	4X8-F1721-00-EG	. COVER, side 2			1	1	MAPLE RED
6	3HB-F174H-60	. GRAPHIC 2	1	1			BLUE, graphic
	3HB-F174H-70	. GRAPHIC 2		1			BLUE, graphic
	#	. GRAPHIC 2			1		BLUE, graphic
	3HB-F174H-90	. GRAPHIC 2			1		RED, graphic
	3HB-F174H-A0	. GRAPHIC 2			1		YELLOW, graphic
	3HB-F174H-F0	. GRAPHIC 2				1	RED grp.
	#	. GRAPHIC 2				1	GREEN grp
	3HB-F174H-G0	. GRAPHIC 2				1	MAPLE RED
7	90480-12053	GROMMET	4	4	4	4	
8	90201-06380	WASHER, plate	2	2	2	2	
9	90146-06011	SCREW, oval fillister	1	1	1	1	
10	90179-06264	NUT	1	1	1	1	
11	98507-06016	SCREW, pan head	1	1	1	1	
12	37J-21781-10	EMBLEM 1	1	1	1	1	FOR RED
	#	EMBLEM 1					
13	37J-21782-10	EMBLEM 1	1	1	1	1	FOR RED
	#	EMBLEM 1					
14	90183-04012	NUT, spring	4	4	4	4	
15	4X8-2176G-00	PANEL, level gauge	1	1	1	1	
16	5T4-F8179-00	EMBLEM, caution battery	1	1	1	1	
	3M5-F8179-11	EMBLEM, caution battery (EX)			1		ENGL LANGUAGE

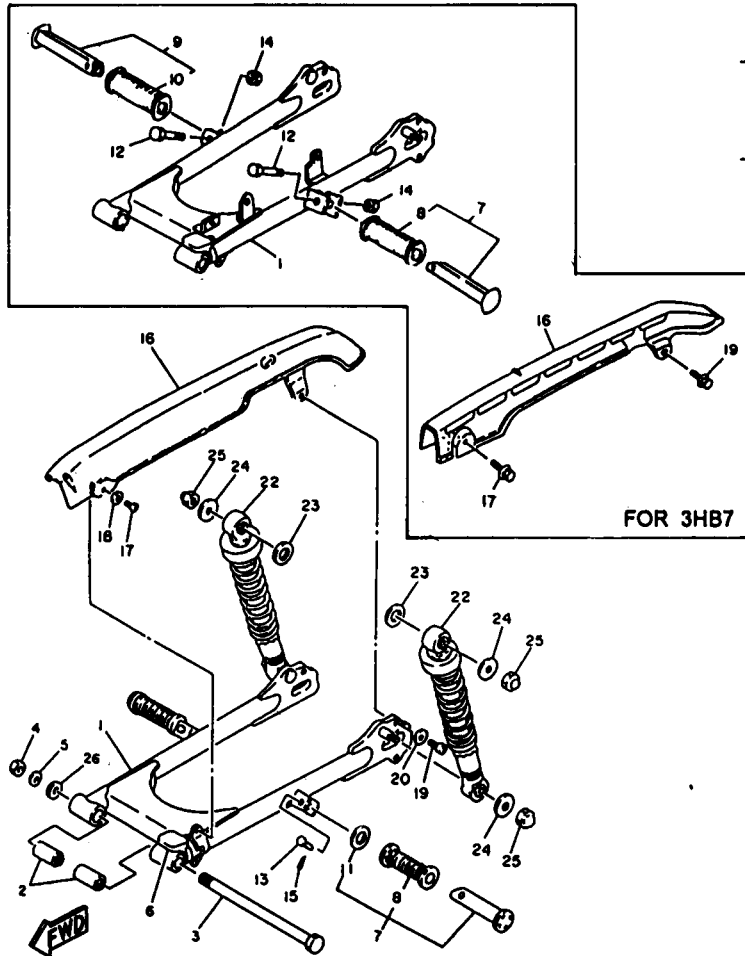


IEF460-5180

FIG. 18 OIL TANK

REF. NO.	PART NO.	DESCRIPTION	T Y P E				REMARKS
			3HB6 94	3HB6 95	3HB7 96	3HB7 97	
1	5T4-F1751-00	TANK, oil	1	1			
	5T4-F1751-01	TANK, oil			1	1	
2	4X8-2176R-02	OIL GAUGE SET	1	1			
3	4X8-21764-00	LENS, level gauge	1	1			
4	2N3-21763-01	GASKET, level gauge	1	1			
5	1T9-21771-00	BODY, cap	1	1	1	1	
6	90385-24028	BUSH	1	1	1	1	
7	90480-18171	GROMMET	1	1	1	1	
8	90480-16233	GROMMET	1	1	1	1	
9	3HB-F1745-00	PIPE, oil tank breather	1	1	1	1	
10	90445-09110	HOSE	1	1	1	1	
11	90467-08003	CLIP	1	1	1	1	
12	90467-08003	CLIP	1	1	1	1	

173HB-460E2

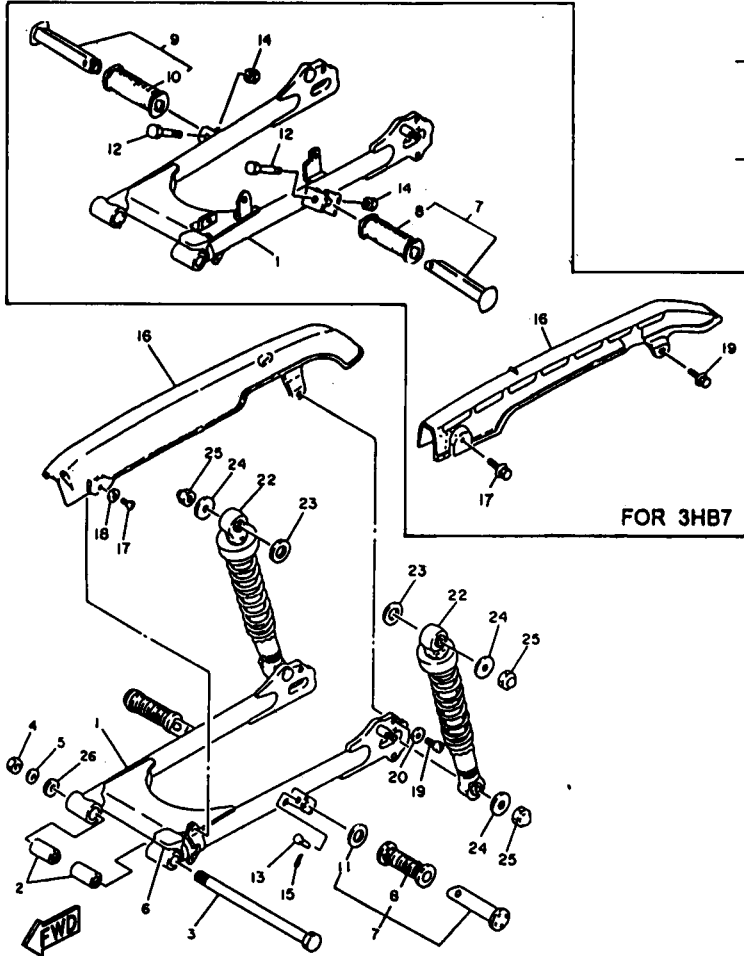


1TN460-6190

FIG. 19 REAR ARM. SUSPENSION

REF. NO.	PART NO.	DESCRIPTION					REMARKS
			T 3HB6 94	Y 3HB6 95	P 3HB7 96	E 3HB7 97	
1	4X8-F2110-00-33	REAR ARM COMP.	1	1			YAMAHA BLACK
	3HB-F2110-00-33	REAR ARM COMP.			1	1	YAMAHA BLACK
2	307-22123-00	BUSH 1	2	2	2	2	
3	5T4-F2141-01-91	SHAFT, pivot	1	1	1	1	WHITE CHROME
4	90185-12046	NUT, self locking	1	1	1	1	
5	92907-12200	WASHER, plain	1	1	1	1	
6	173-22151-00	SEAL, guard	1	1	1	1	
7	3AY-F7430-00	FOOTREST REAR ASSY	2	2			
	3XA-F7430-00	FOOTREST REAR ASSY 1			1	1	
8	1V1-F7433-00	COVER, rear footrest	2	2			
	3XA-F7433-00	COVER, rear footrest			1	1	
9	3XA-F7440-00	FOOTREST REAR ASSY 2			1	1	
10	3XA-F7433-00	COVER, rear footrest			1	1	
11	90201-20279	WASHER, plate	2	2			
12	90109-066F1	BOLT			2	2	
13	90240-06052	PIN, clevis	2	2			
14	95607-06100	NUT, u			2	2	
15	91401-16012	PIN, cotter	2	2			
16	3KA-F2311-00-33	CASE, chain	1	1			YAMAHA BLACK
	3KA-F2311-10	CASE, chain			1	1	
17	97607-06212	SCREW, pan head w/ washer	1	1			
	90119-06117	BOLT, hexagon with washer			1	1	
18		WASHER, plate					
19	97607-06216	SCREW, pan head w/ washer	1	1			
	90119-06056	BOLT, hexagon with washer			1	1	
20		WASHER, plate					
22	3KA-F2210-40	SHOCK ABSORBER ASSY	2	2			
	3KA-F2210-50	SHOCK ABSORBER ASSY			2	2	
23	90201-14218	WASHER, plate	2	2			
	90201-126A7	WASHER, plate			2	2	
24	90201-106F2	WASHER, plate	4	4	6	6	
25	90176-10073	NUT, cap	4	4	4	4	

Continuar



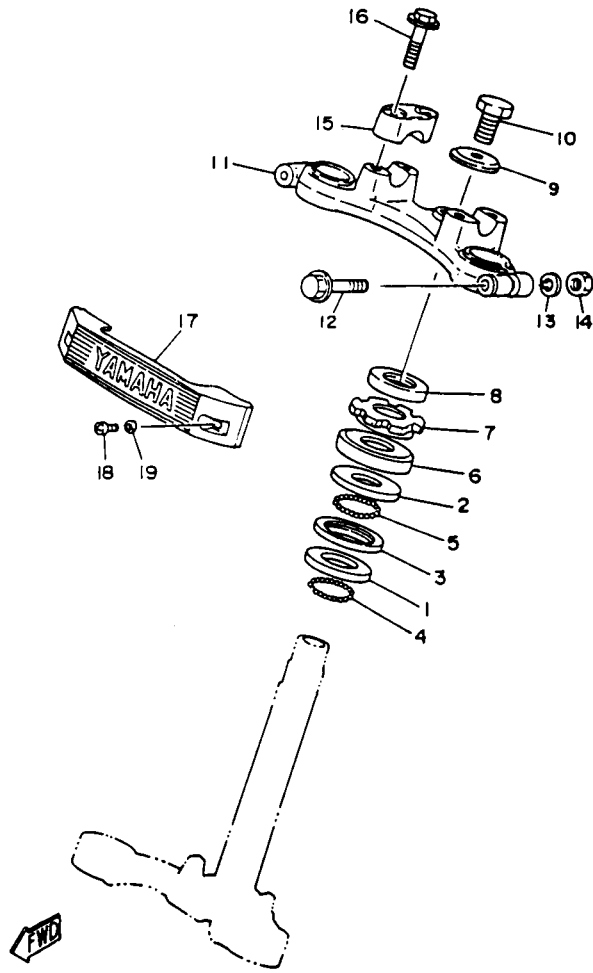
1TN460-6190

FIG. 19 REAR ARM. SUSPENSION

REF. NO.	PART NO.	DESCRIPTION	T	Y	P	E	REMARKS
			3HB6 94	3HB6 95	3HB7 96	3HB7 97	
26	3HB-F2126-30	COLLAR, distance	1	1	1	1	

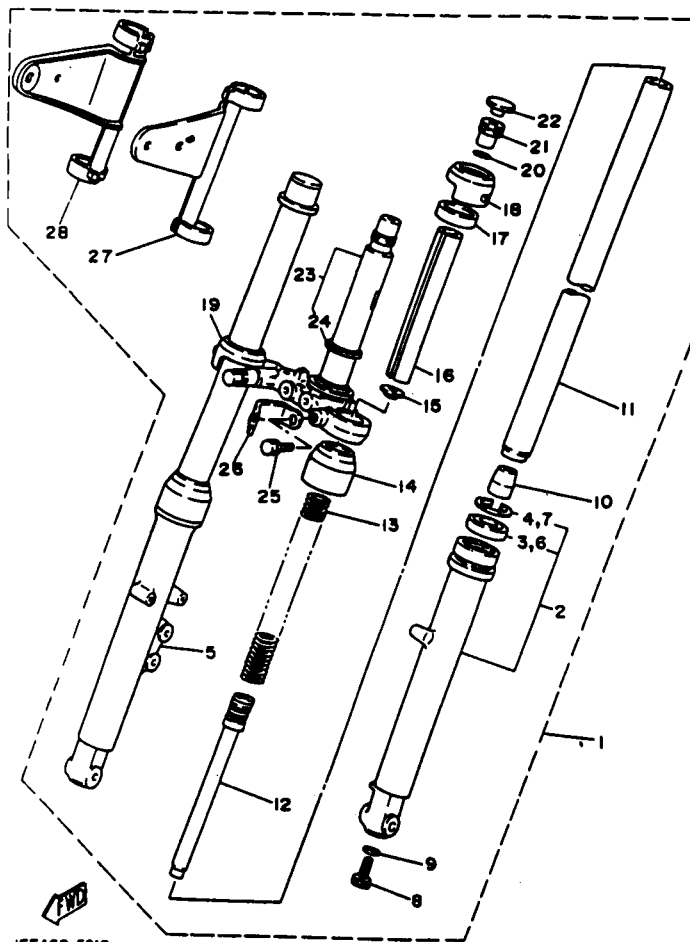
Regresar

FIG. 20 STEERING



IEF460-5200

REF. NO.	PART NO.	DESCRIPTION					REMARKS
			T	Y	P	E	
			3HB6 94	3HB6 95	3HB7 96	3HB7 97	
1	156-23412-00	RACE, ball 2	1	1	1	1	YAMAHA BLACK
2	22F-23411-01	RACE, ball 1	1	1	1	1	
3	22F-23412-01	RACE, ball 2	1	1	1	1	
4	93501-04011	BALL	19	19	19	19	
5	93503-16010	BALL	22	22	22	22	
6	23T-F3416-00	COVER, ball race 2	1	1	1	1	
7	90179-25033	NUT	1	1	1	1	
8	2Y1-23448-00	SPACER	1	1	1	1	
9	90209-10020	WASHER	1	1	1	1	
10	90105-10006	BOLT, washer based	1	1	1	1	
11	37J-F3435-00-33	CROWN, handle	1	1	1	1	
12	95807-08050	BOLT, flange	2	2	2	2	
13	92907-08100	WASHER, spring	2	2	2	2	
14	95307-08600	NUT	2	2	2	2	
15	1E6-23441-00	HOLDER, handle upper	2	2	2	2	
16	95827-08035	BOLT, flange	4	4	4	4	
17	4N4-23395-00	EMBLEM	1	1	1	1	
18	98507-05010	SCREW, pan head	2	2	2	2	
19	92907-05200	WASHER, plain	2	2	2	2	



IEF460-5210

FIG. 21 FRONT FORK

REF. NO.	PART NO.	DESCRIPTION	T	Y	P	E	REMARKS
			3HB6 94	3HB6 95	3HB7 96	3HB7 97	
1	3HB-F3100-30	FRONT FORK ASSY	1	1	1	1	
2	3KA-F3106-00	.. OUTER TUBE COMP. (L.H)	1	1	1	1	
3	5F6-F3145-00	.. OIL SEAL	1	1	1	1	
4	3V3-F3156-00	.. CLIP, oil seal	1	1	1	1	
5	3KA-F3107-00	.. OUTER TUBE COMP. (R.H)	1	1	1	1	
6	5F6-F3145-00	.. OIL SEAL	2	2	2	2	
7	3V3-F3156-00	.. CLIP, oil seal	2	2	2	2	
8	278-F3181-50	.. BOLT, hexagon socket head	2	2	2	2	
9	509-F3158-L0	.. GASKET	2	2	2	2	
10	2K5-F3173-00	.. SPINDLE, taper	2	2	2	2	
11	4X8-F3110-00	.. INNER TUBE COMP. 1	2	2	2	2	
12	2A1-F3170-00	.. CYLINDER COMP. Front fork	2	2	2	2	
13	2R6-F3141-00	.. SPRING, front fork	2	2	2	2	
14	535-F3144-00	.. SEAL, dust	2	2	2	2	
15	256-F3142-60	.. SEAT, spring upper	2	2	2	2	
16	2A1-F3118-K0	.. SPACER	2	2	2	2	
17	3M5-F3163-00	.. GASKET	2	2	2	2	
18	4N6-F3122-00	.. COVER, outer 1	1	1	1	1	
19	4N6-F3132-00	.. COVER, outer 2	1	1	1	1	
20	146-F3114-00	.. GASKET	2	2	2	2	
21	1X0-F3111-00	.. BOLT, cap	2	2	2	2	
22	1X0-F3168-00	.. CAP, front fork	2	2	2	2	
23	4X8-F3340-00-33	.. UNDER BRACKET COMP.	1	1	1	1	
24	156-F3411-00	.. RACE, ball 1	1	1	1	1	
25	1M3-F3346-00	.. BOLT	2	2	2	2	
26	260-F3118-40	.. HOLDER, cable 1	1	1	1	1	
27	5T4-F3121-00	.. COVER, upper 1	1	1	1	1	
28	5T4-F3131-00	.. COVER, upper 2	1	1	1	1	

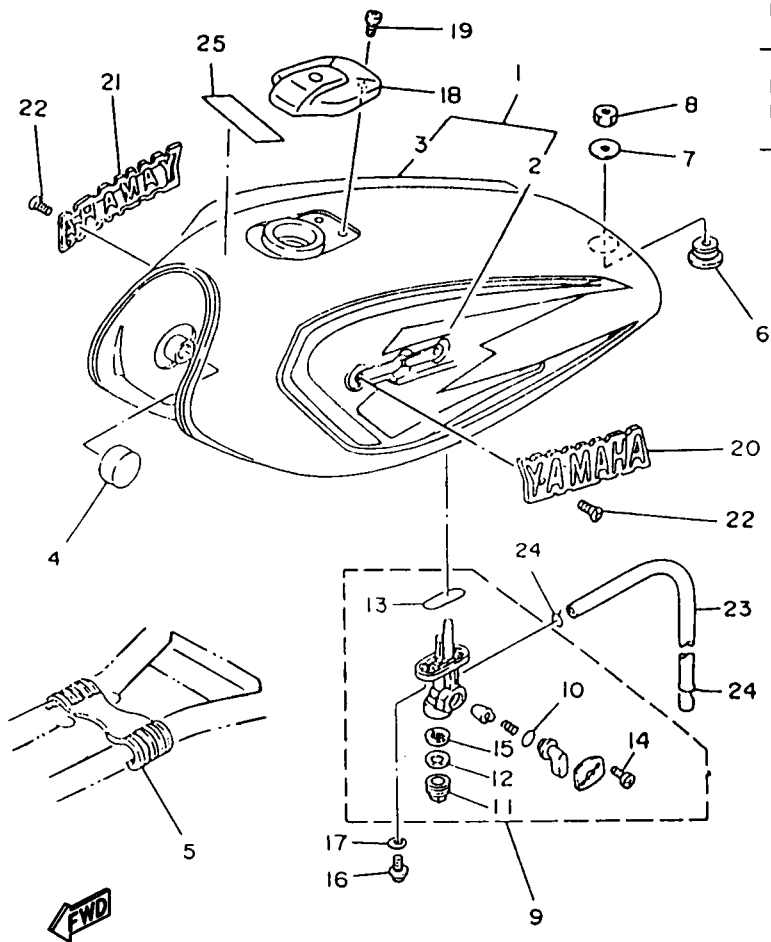
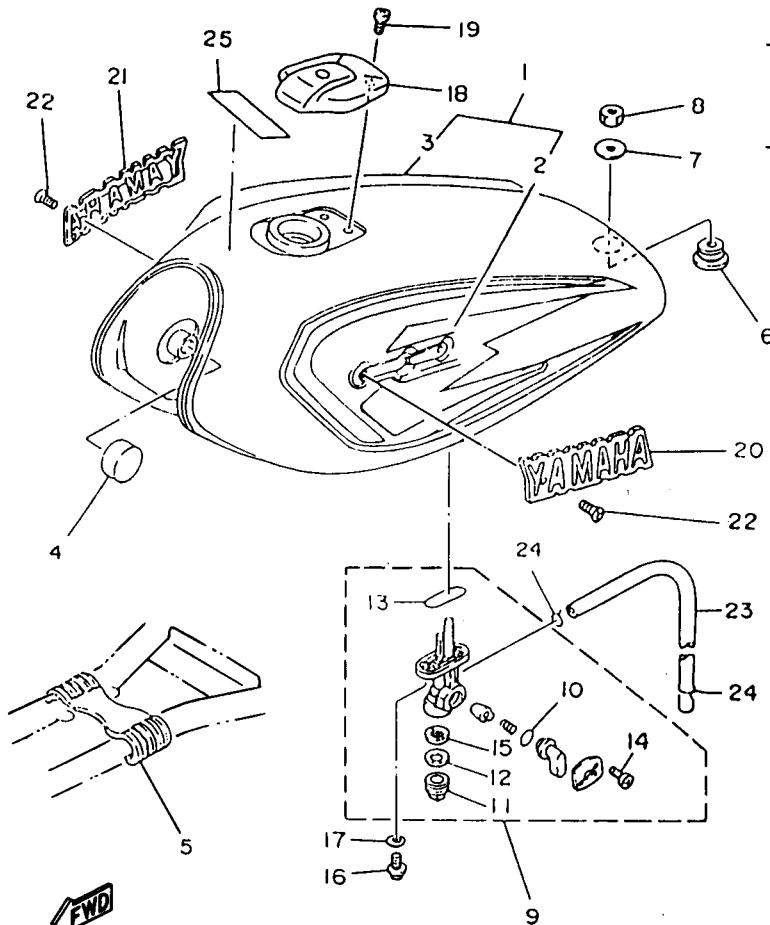


FIG. 22 FUEL TANK

REF. NO.	PART NO.	DESCRIPTION	T	Y	P	E	REMARKS	
			3HB6 94	3HB6 95	3HB7 96	3HB7 97		
1	3HB-F4110-A4-33	FUEL TANK COMP.	1	1			BLUE, graphic	
	3HB-F4110-A5-33	FUEL TANK COMP.		1			BLUE, graphic	
	#	FUEL TANK COMP.			1		BLUE, graphic	
	3HB-F4100-20-33	FUEL TANK COMP.			1		RED, graphic	
	3HB-F4100-00-EG	FUEL TANK COMP.			1		YELLOW, graphic	
	3HB-F4100-30-33	FUEL TANK COMP.				1	YB.RED graphic	
	#	FUEL TANK COMP.				1	VDBM3.GREEN	
	3HB-F4100-10-EG	FUEL TANK COMP.				1	MAPLE RED	
	2	3HB-F4246-70	. GRAPHIC 1	1	1			BLUE, graphic
		3HB-F4246-80	. GRAPHIC 1		1			BLUE, graphic
#		. GRAPHIC 1			1		BLUE, graphic	
3HB-F4246-A0		. GRAPHIC 1			1		RED, graphic	
3HB-F4246-C0		. GRAPHIC 1			1		YELLOW, graphic	
3HB-F4246-F0		. GRAPHIC 1				1	RED graphic	
#		. GRAPHIC 1				1	GREEN graphic	
3HB-F4246-G0		. GRAPHIC 1				1	MR	
3		3HB-F4247-70	. GRAPHIC 2	1	1			BLUE, graphic
		3HB-F4247-80	. GRAPHIC 2		1			BLUE, graphic
	#	. GRAPHIC 2			1		BLUE, graphic	
	3HB-F4247-A0	. GRAPHIC 2			1		RED, graphic	
	3HB-F4247-C0	. GRAPHIC 2			1		YELLOW, graphic	
	3HB-F4247-F0	. GRAPHIC 2				1	RED, graphic	
	#	. GRAPHIC 2				1	GREEN, graphic	
	3HB-F4247-G0	. GRAPHIC 2				1	MR	
	4	122-24181-00	DAMPER, locating 1	2	2	2	2	
	5	3M5-24182-01	DAMPER, locating 2	1	1	1	1	
6	90480-25189	GROMMET	1	1	1	1		
7	90201-08612	WASHER, plate	1	1	1	1		
8	95307-08600	NUT	1	1	1	1		
9	5T5-F4500-V1	FUEL COCK ASSY 1	1	1				

Continuar



ITN460-6220

FIG. 22 FUEL TANK

REF. NO.	PART NO.	DESCRIPTION	T Y P E				REMARKS
			3HB6 94	3HB6 95	3HB7 96	3HB7 97	
	29N-F4500-V0	FUEL COCK ASSY 1			1	1	
	4X8-24500-02	FUEL COCK ASSY 1	1	1	1	1	
	3KA-F4500-00	FUEL COCK ASSY 1	1	1	1	1	
10	4X8-24534-V0	SEAL, cock	1	1	1	1	
11	5T5-F4521-V0	CUP, filter	1	1	1	1	
12	4X8-24565-00	GASKET	1	1	1	1	
13	4X8-24512-V0	GASKET	1	1	1	1	
14	4X8-24535-V0	SCREW, lever fitting	2	2	2	2	
15	4X8-24515-V0	NET, filter 2	1	1	1	1	
16	90149-06011	SCREW	2	2	2	2	
17	90202-06010	WASHER, plate	2	2	2	2	
18	5T4-F4650-V0	CAP ASSY	1	1	1	1	
19	98507-05010	SCREW, pan head	2	2	2	2	
20	4X8-24161-00	EMBLEM 1	1	1	1	1	
21	4X8-24162-00	EMBLEM 2	1	1	1	1	
22	90152-04006	SCREW, countersunk	4	4	4	4	
23	90445-09082	HOSE	1	1	1	1	
24	90467-08003	CLIP	2	2	2	2	
25	3HP-21568-00	LABEL WARNING (EXP)	1	1	1	1	

Rearesar

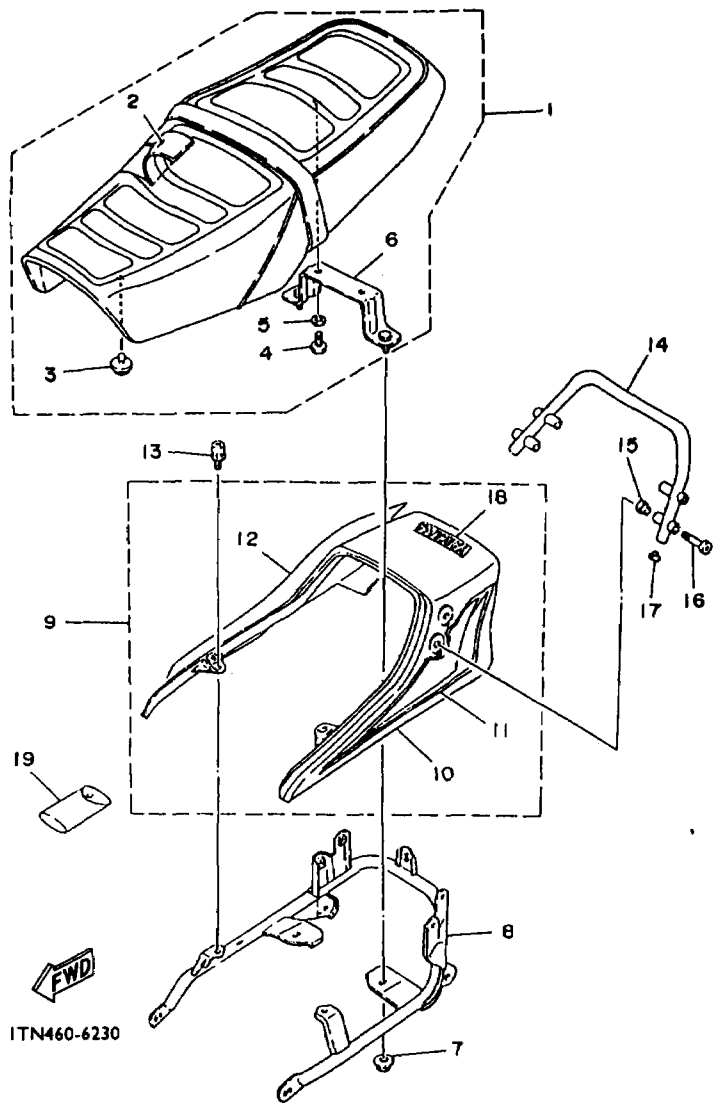
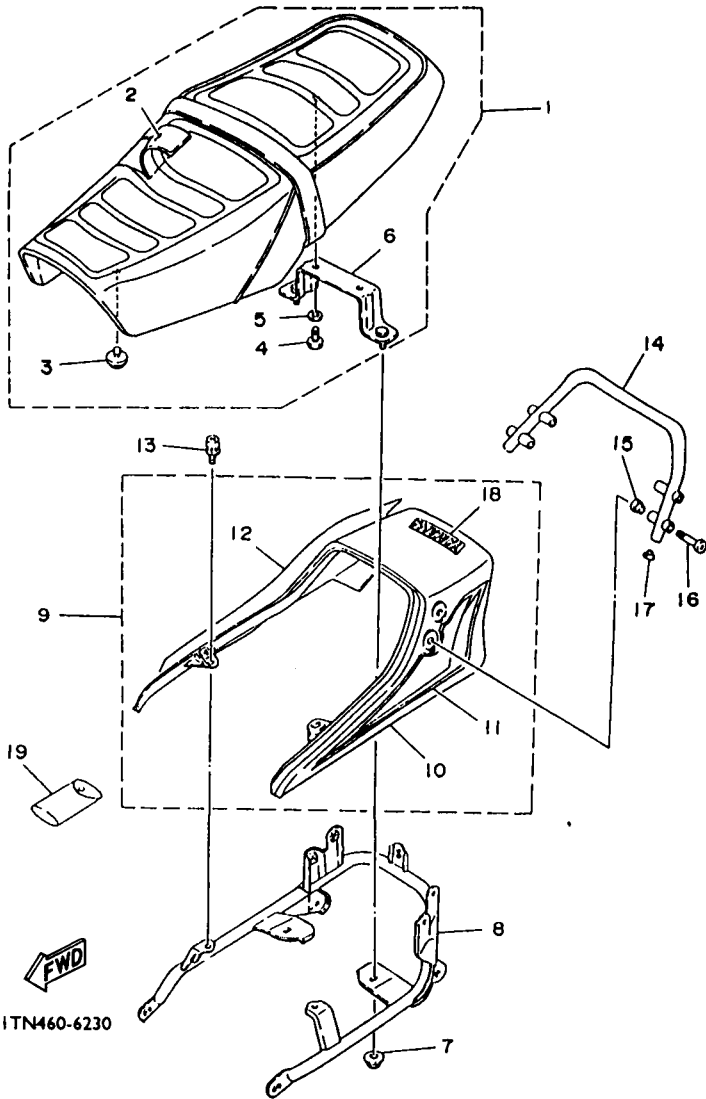


FIG. 23 SEAT

REF. NO.	PART NO.	DESCRIPTION	T Y P E				REMARKS
			3HB6 94	3HB6 95	3HB7 96	3HB7 97	
1	3HB-F4730-40	DOUBLE SEAT ASSY	1	1	1	1	BLACK
2	3HB-F470F-40	COVER, seat	1	1	1	1	
3	527-F4741-10	PAD, seat	4	4	4	4	
4	97507-08414	BOLT, hexagon head w/ w	2	2	2	2	
5	#	WASHER, spring					
6	37J-F4716-00-33	STAY, rear	1	1	1	1	YAMAHA BLACK
7	97507-08500	NUT, flange	2	2	2	2	
8	37J-F474A-00-33	ASSIT, grip	1	1	1	1	YAMAHA BLACK
9	3HB-F4750-40	COVER TAIL ASSY (KIT)	1	1			BLUE, graphic
	3HB-F4750-50	COVER TAIL ASSY (KIT)		1			BLUE, graphic
	#	COVER TAIL ASSY (KIT)			1		BLUE, graphic
	3HB-F4750-60	COVER TAIL ASSY (KIT)			1		RED, graphic
	3HB-F4750-00-EG	COVER TAIL ASSY (KIT)			1		YELLOW, graphic
	3HB-F4750-70	COVER TAIL ASSY (KIT)				1	YB.RED GRP
	#	COVER TAIL ASSY (KIT)				1	VDBM3.GREEN
	3HB-F4750-10-EG	COVER TAIL ASSY (KIT)				1	MAPLE RED
10	37J-F4756-00-33	COVER, tail	1	1	1	1	YAMAHA BLACK
	#	COVER, tail			1	1	VR D BLUE MTL
	37J-F4756-00-EG	COVER, tail			1	1	MAPLE RED
11	3HB-F477V-60	GRAPHIC 1	1	1			BLUE, graphic
	3HB-F477V-70	GRAPHIC 1		1			BLUE, graphic
	#	GRAPHIC 1			1		BLUE, graphic
	3HB-F477V-90	GRAPHIC 1			1		RED, graphic
	3HB-F477V-A0	GRAPHIC 1			1		YELLOW, GRP
	3HB-F477V-F0	GRAPHIC 1				1	RED GRP
	#	GRAPHIC 1				1	GREEN GRP
	3HB-F477V-G0	GRAPHIC 1				1	MR
12	3HB-F477W-60	GRAPHIC 2	1	1			BLUE, graphic
	3HB-F477W-70	GRAPHIC 2		1			BLUE, graphic
	#	GRAPHIC 2			1		BLUE, graphic
	3HB-F477W-90	GRAPHIC 2			1		RED, graphic

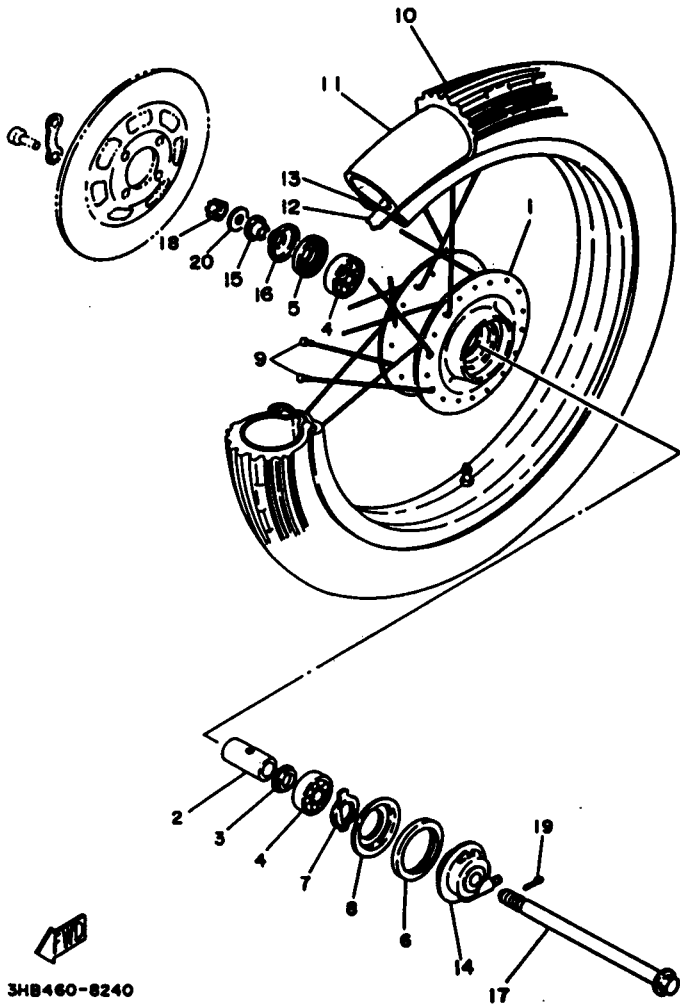
ITN460-6230



ITN460-6230

FIG. 23 SEAT

REF. NO.	PART NO.	DESCRIPTION	T Y P E				REMARKS
			3HB6 94	3HB6 95	3HB7 96	3HB7 97	
	3HB-F477W-A0	. GRAPHIC 2			1		YELLOW, GRP
	3HB-F477W-F0	. GRAPHIC 2				1	RED GRP
	#	. GRAPHIC 2				1	GREEN GRP
	3HB-F477W-G0	. GRAPHIC 2				1	MR
13	90159-06099	SCREW, with washer	2	2	2	2	
14	3HB-F4773-30-98	HANDLE SEAT	1	1	1	1	L GLOSS BLACK
15	1T4-24796-00	COVER	4	4	4	4	
16	92017-08060	BOLT, button	4	4	4	4	
17	90338-15110	PLUG	2	2	2	2	
18	99236-00080	EMBLEM, yamaha	1	1	1	1	LM
19	4X8-28100-00	TOOL KIT	1	1	1	1	



3HB460-8240

FIG. 24 FRONT WHEEL

REF. NO.	PART NO.	DESCRIPTION	T Y P E				REMARKS
			3HB6 94	3HB6 95	3HB7 96	3HB7 97	
1	4X8-F5111-00-33	HUB, front	1	1	1	1	YAMAHA BLACK
2	90560-15293	SPACER	1	1	1	1	
3	183-25315-00	FLANGE, spacer 1	1	1	1	1	
4	93306-202X0	BEARING (B6202)	2	2	2	2	LM BEARINDO
	93306-202YB	BEARING	2	2	2	2	LM NTN
5	93106-22016	OIL SEAL					
	93106-22818	OIL SEAL	1	1	1	1	LM
6	93105-45017	OIL SEAL					
	93105-45808	OIL SEAL	1	1	1	1	LM
7	341-25149-00	CLUTCH, meter	1	1	1	1	
8	341-25846-00	RETAINER, clutch	1	1	1	1	
9	1TN-F5104-00	SPOKE SET, front	1	1	1	1	
10	94125-18810	TIRE (2.50-18)	1	1	1	1	LM INOUE
11	94225-18805	TUBE (2.50-18)	1	1	1	1	LM INOUE
	94225-18076	TUBE (2.50-18) (EXP)					LM INOUE
12	94325-18812	BAND, rim (2.50-18)	1	1	1	1	LM INOUE
13	94414-18805-93	RIM (1.40-18)	1	1	1	1	LM CHROME PLT
14	4X8-25190-00	GEAR UNIT ASSY	1	1	1	1	
15	90387-151M3	COLLAR	1	1	1	1	
16	55K-25118-00	COVER, hub dust	1	1	1	1	
17	3M5-F5181-01-91	AXLE, wheel	1	1	1	1	WHITE CHROME
18	90185-14112	NUT, self locking	1	1	1	1	
19	#	PIN, cotter	1	1	1	1	
20	92907-14200	WASHER, plain	1	1	1	1	

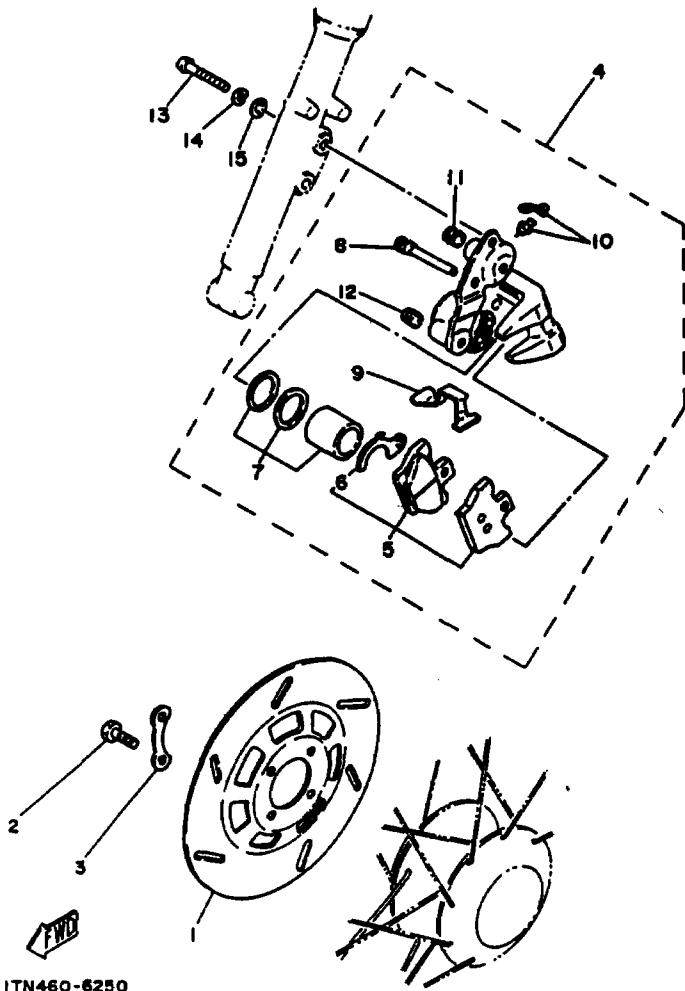
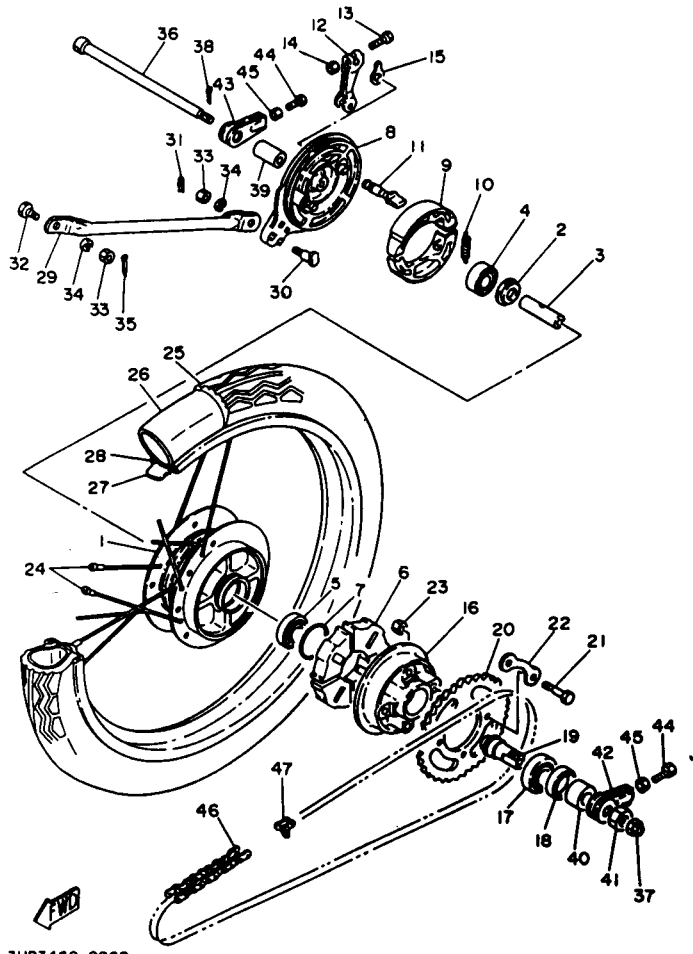


FIG. 25 FRONT BRAKE CALIPER

REF. NO.	PART NO.	DESCRIPTION	TYPE				REMARKS
			3HB6 94	3HB6 95	3HB7 96	3HB7 97	
1	3HB-25831-00	DISC, brake	1	1	1	1	
2	90109-08367	BOLT	4	4	4	4	
3	404-25412-00	WASHER	2	2	2	2	
4	3XL-2580U-00	CALIPER ASSY (RIGHT)	1	1	1	1	
5	43F-W0045-01	BRAKE PAD KIT	1	1	1	1	
6	4X8-25827-00	SHIM, caliper	1	1	1	1	
7	4X8-W0045-01	PISTON ASSY, caliper	1	1	1	1	
8	34L-25924-00	PIN, pad	1	1	1	1	
9	11H-25919-00	SUPPORT, pad	1	1	1	1	
10	51L-W0048-00	BREED SCREW KIT	1	1	1	1	
11	4X8-25917-00	BOOT, caliper	1	1	1	1	
12	5R2-25937-00	BOOT 2	1	1	1	1	
13	90105-10638	BOLT, washer based head	2	2	2	2	
14	#	WASHER, spring	2	2	2	2	
15	#	WASHER, spring	2	2	2	2	

3XL - W0045-01
43F - W0045-01



3HB3460-0260

FIG. 26 REAR WHEEL

REF. NO.	PART NO.	DESCRIPTION	T Y P E				REMARKS
			3HB6 94	3HB6 95	3HB7 96	3HB7 97	
1	37J-F5311-00-33	HUB, rear	1	1	1	1	YAMAHA BLACK
2	102-25315-00	FLANGE, spacer	1	1	1	1	
3	90560-12145	SPACER	1	1	1	1	
4	93306-30102	BEARING (B6301)					
	93306-301Y8	BEARING (B6301)	1	1	1	1	LM
5	93306-30109	BEARING					
	93306-301Y9	BEARING	1	1	1	1	LM
6	23T-F5364-00	DAMPER	4	4	4	4	
7	93210-41041	O RING	1	1	1	1	
8	23T-F5321-01-33	PLATE, brake shoe	1	1	1	1	YAMAHA BLACK
9	23T-F5330-00	BRAKE SHOE SET	1	1	1	1	
10	90506-18288	SPRING, tension	2	2	2	2	
11	3Y6-25351-00	CAMSHAFT	1	1	1	1	
12	29M-25355-00	LEVER, camshaft	1	1	1	1	
13	90101-06278	BOLT	1	1	1	1	
14	95307-06600	NUT	1	1	1	1	
15	3Y6-2533A-01	PLATE, indicator	1	1	1	1	
16	37J-F5336-01	CLUTCH, hub	1	1	1	1	37J-F5336-01
17	93306-004Y8	BEARING (B6004Z)	1	1	1	1	LM BEARINDO
	93306-004X6	BEARING	1	1	1	1	LM NTN
18	93106-30004	OIL SEAL	1	1	1	1	
19	167-25387-00	AXLE, sprocket	1	1	1	1	
20	4ST-F5438-00	SPROCKET, driven (38T)	1	1	1	1	WHITE CHROME
21	90109-08361	BOLT	4	4	4	4	
22	3M5-25412-00	WASHER	2	2	2	2	
23	90179-08168	NUT	4	4	4	4	
24	1EG-F5304-00	SPOKE SET, rear	1	1	1	1	
25	94127-18813	TIRE (2.75-18)	1	1	1	1	LM INOUE
26	94227-18800	TUBE (2.75-18)	1	1	1	1	LM INOUE
	94227-18185	TUBE (2.75-18) (EXP)			1	1	LM INOUE
27	94325-18812	BAND, rim (2.50-18)	1	1	1	1	LM INOUE
28	94414-18804-93	RIM (1.40-18)	1	1	1	1	CHROME PLATED

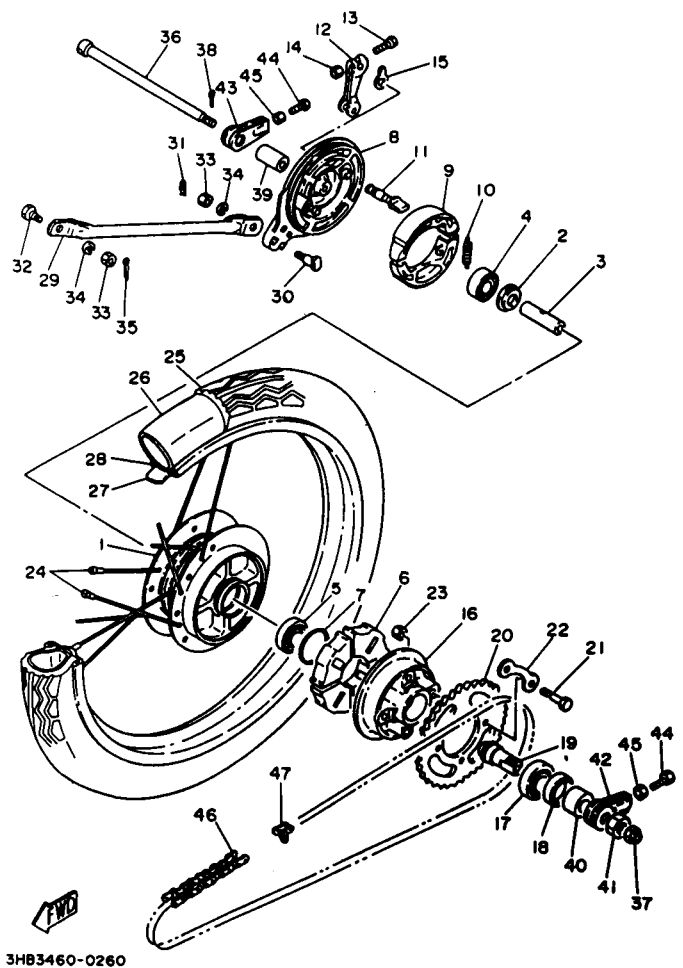
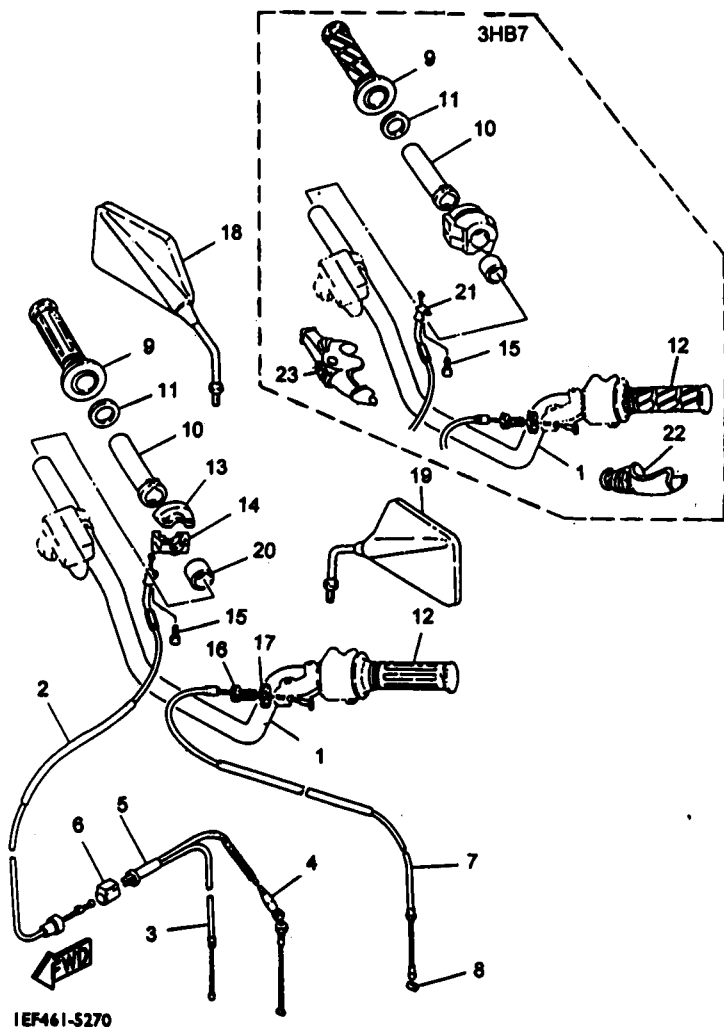


FIG. 26 REAR WHEEL

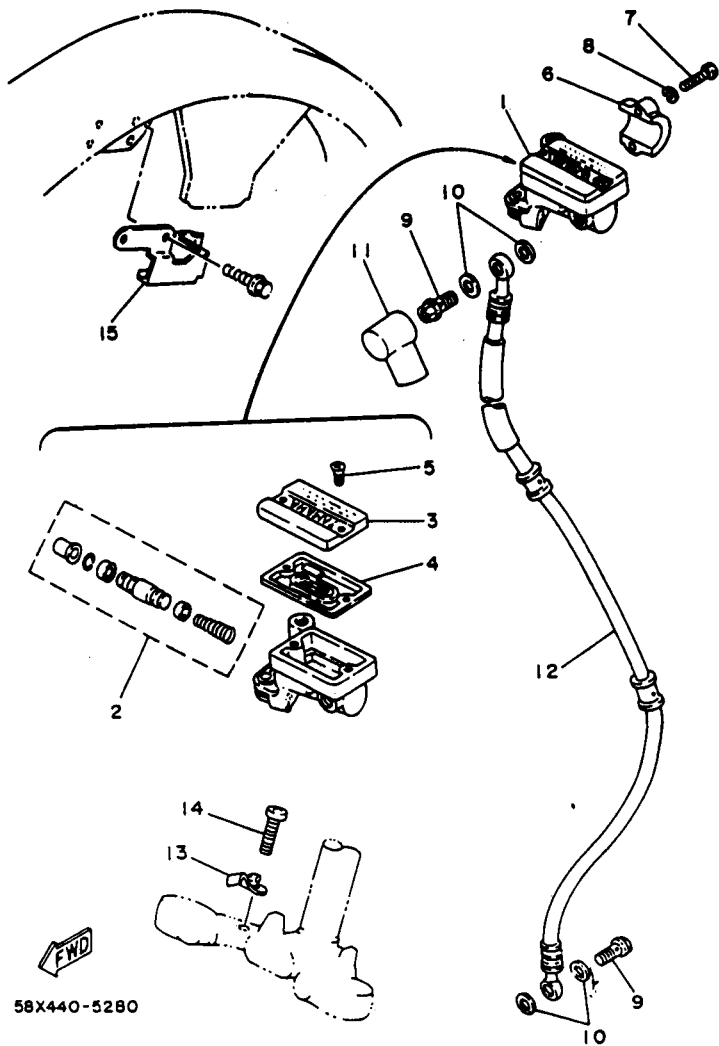
REF. NO.	PART NO.	DESCRIPTION	T Y P E				REMARKS
			3HB6 94	3HB6 95	3HB7 96	3HB7 97	
29	3RS-F5371-00-33	BAR, tension	1	1	1	1	YAMAHA BLACK
30	90109-08183	BOLT	1	1	1	1	
31	90468-12007	CLIP	1	1	1	1	
32	90109-08368	BOLT	1	1	1	1	
33	95307-08700	NUT	2	2	2	2	
34	92907-08100	WASHER, spring	2	2	2	2	
35	91401-20015	PIN, cotter	1	1	1	1	
36	3AY-F5381-01-91	AXLE, wheel	1	1	1	1	WHITE CHROME
37	90185-12046	NUT, castle	1	1	1	1	
38	#	PIN, cotter					
39	90387-12102	COLLAR	1	1	1	1	
40	90387-18144	COLLAR	1	1	1	1	
41	90170-18165	NUT	1	1	1	1	
42	4X8-F5388-00-91	PULLER, chain 1	1	1	1	1	WHITE CHROME
43	4X8-F5389-00-91	PULLER, chain 2	1	1	1	1	WHITE CHROME
44	90101-08034	BOLT	2	2	2	2	
45	95307-08700	NUT	2	2	2	2	
46	94580-24109	CHAIN (DID 428-109L)	1	1	1	1	LM
47	94680-24001	JOINT CHAIN	1	1	1	1	LM



IEF461-5270

FIG. 27 STEERING HANDLE. CABLE

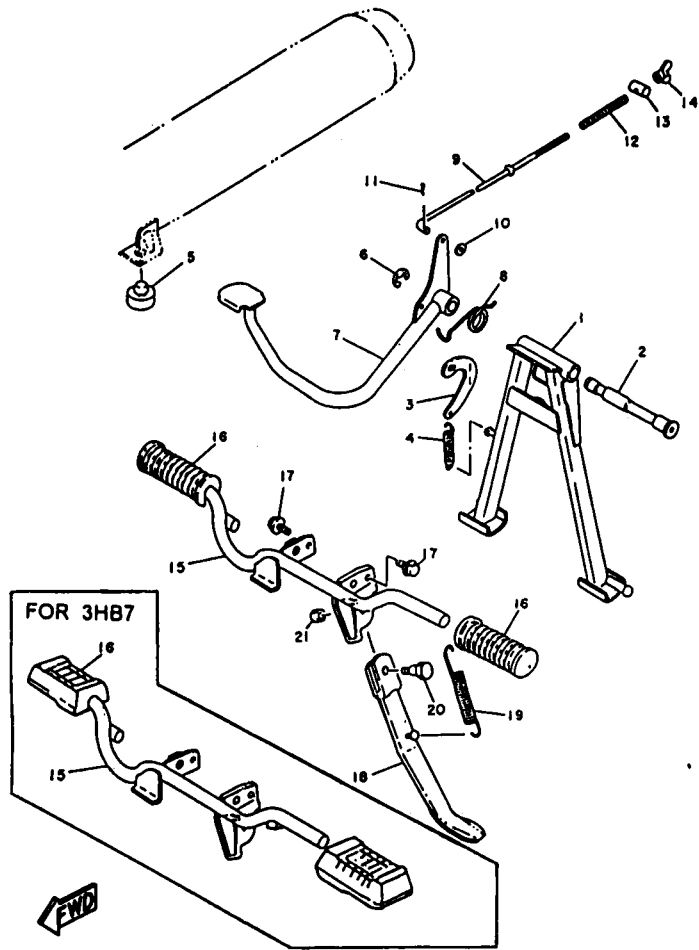
REF. NO.	PART NO.	DESCRIPTION	TYPE				REMARKS
			3HB6 94	3HB6 95	3HB7 96	3HB7 97	
1	3HB-F6110-30-98	HANDLE COMP.	1	1			L GLOSS BLACK
	3KA-F6110-40-98	HANDLE COMP.			1	1	L GLOSS BLACK
2	1TN-F6311-00	CABLE, throttle 1	1	1			
	3HB-F6311-00	CABLE, throttle 1			1	1	
3	1TN-F6312-00	CABLE, throttle 2	1	1	1	1	
4	1TN-F6321-00	CABLE, pump	1	1	1	1	
5	1TN-F6261-00	CONNECTOR, cable	1	1	1	1	
6	3M5-26268-00	HOLDER, cable connector	1	1			
	3KA-F6268-00	HOLDER, cable connector			1	1	
7	1TN-F6335-00	CABLE, clutch	1	1			
	3HB-F6335-00	WIRE, clutch			1	1	
8	164-26363-00	END, cable	1	1	1	1	
9	3KA-F6242-00	GRIP (R.H.)	1	1			
	3KA-F6242-10	GRIP (R.H.)			1	1	
10	5H5-26243-00	TUBE, throttle guide	1	1			
	214-26243-00	TUBE, throttle guide			1	1	
11	90201-261L1	WASHER, plain	1	1	1	1	
12	3KA-F6241-00	GRIP (L.H.)	1	1			
	3KA-F6241-10	GRIP (L.H.)			1	1	
13	5H5-26281-00	CAP, grip upper	1	1			
14	5H5-26282-00	CAP, grip lower	1	1			
15	98507-05016	SCREW, pan head	2	2			
16	90123-08013	BOLT, wire adjusting	1	1			
	90123-08046	BOLT, wire adjusting			1	1	
17	90179-08148	NUT	1	1	1	1	
18	3WL-F6290-10	REAR VIEW MIRROR ASSY (R)	1	1	1	1	
19	3WL-F6280-10	REAR VIEW MIRROR ASSY (L)	1	1	1	1	
20	90387-220G4	COLLAR	1	1	1	1	
21	3KA-F6393-00-90	HOLDER			1	1	BLACK CHROME
22	3RS-F6372-00	COVER, lever			1	1	
23	3KA-F6372-01	COVER, lever			1	1	



58X440-5280

FIG. 28 FRONT MASTER CYLINDER

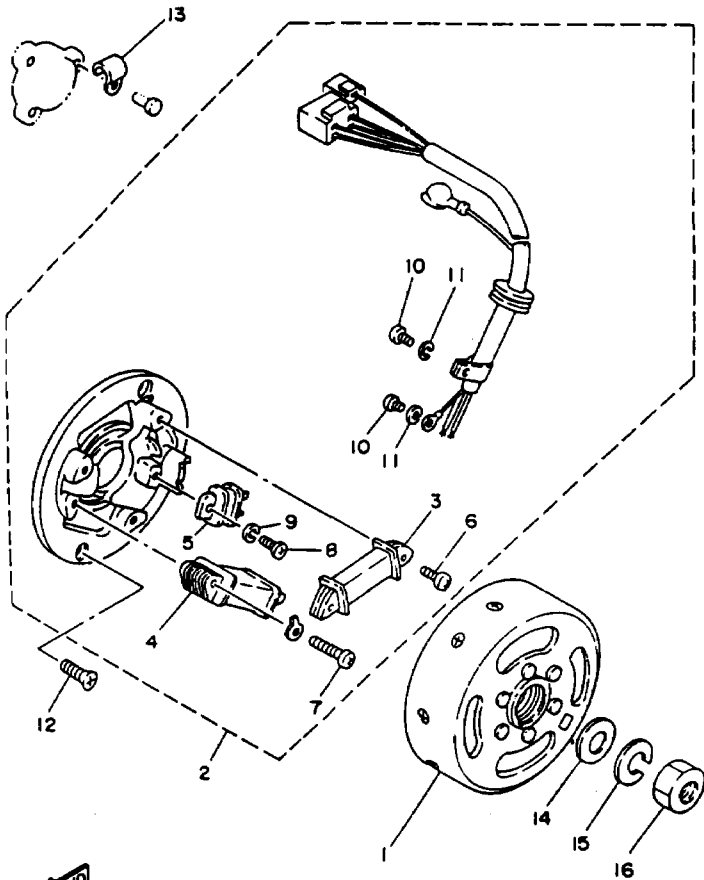
REF. NO.	PART NO.	DESCRIPTION	TYPE				REMARKS
			T 94	Y 95	P 96	E 97	
1	2RJ-25850-00	MASTER CYLINDER ASSY	1	1	1	1	
2	23L-W0041-00	CYLINDER KIT, master	1	1	1	1	
3	4X8-25852-A0	CAP, reservoir	1	1	1	1	
4	4L0-25854-00	DIAPHRAGM, reservoir	1	1	1	1	
5	98706-04010	SCREW, flat head	2	2	2	2	
6	4L0-25867-00	BRACKET, master cylinder	1	1	1	1	
7	95827-06025	BOLT, flange	2	2	2	2	
8	#	WASHER, spring	2	2	2	2	
9	90401-10034	BOLT, union	2	2	2	2	
10	90201-10118	WASHER, plate	4	4	4	4	
11	360-25862-00	BOOT, master cylinder	1	1	1	1	
12	4X8-25872-00	HOSE, brake 1	1	1	1	1	
13	1V1-25875-00	HOLDER, brake hose 1	1	1	1	1	
14	98507-06025	SCREW, pan head (+)	1	1	1	1	
15	4X8-25876-00	HOLDER, brake hose 2	1	1	1	1	



58X440-5290

FIG. 29 STAND. FOOTREST

REF. NO.	PART NO.	DESCRIPTION	T Y P E				REMARKS
			3HB6 94	3HB6 95	3HB7 96	3HB7 97	
1	4X8-F7111-00-33	STAND, main	1	1	1	1	YAMAHA BLACK
2	37J-F7112-01-91	SHAFT, main stand	1	1	1	1	WHITE CHROME
3	3HB-F7115-00-91	LINK, main stand	1	1	1	1	WHITE CHROME
4	90506-29054	SPRING, tension	1	1	1	1	
5	116-27114-00	STOPPER, main stand	1	1	1	1	
6	93430-12008	CIRCLIP	1	1	1	1	
7	3KA-F7211-30-98	PEDAL, brake	1	1	1	1	L GLOSS BLACK
8	90508-32056	SPRING, torsion	1	1	1	1	
9	3HB-F7231-00-91	ROD, brake	1	1	1	1	WHITE CHROME
10	92907-06600	WASHER, plate	1	1	1	1	
11	91401-20012	PIN, cotter	1	1	1	1	
12	90501-10245	SPRING, compression	1	1	1	1	
13	90249-12008	PIN	1	1	1	1	
14	90175-06013	NUT, wing	1	1	1	1	
15	4X8-F7411-01-33	FOOTREST 1	1	1			YAMAHA BLACK
	3KA-F7411-00-33	FOOTREST 1			1	1	YAMAHA BLACK
16	1V1-F7413-00	COVER, footrest	2	2			
	2ET-F7413-00	COVER, footrest			2	2	
17	95827-08020	BOLT, flange	2	2	2	2	
18	463-F7311-00-33	STAND, side	1	1	1	1	YAMAHA BLACK
19	90506-25047	SPRING, tension	1	1	1	1	
20	90109-08032	BOLT	1	1	1	1	
21	95307-08700	NUT	1	1	1	1	



3HB460-8300

FIG. 30 GENERATOR

REF. NO.	PART NO.	DESCRIPTION	TYPE				REMARKS
			T 3HB5 94	Y 3HB6 95	P 3HB7 96	E 3HB7 97	
1	4DE-85550-M0	ROTOR ASSY	1	1	1	1	
2	4DE-H5560-M0	BASE ASSY	1	1	1	1	
3	4DE-85520-00	COIL, charge	1	1	1	1	
4	1MA-81313-V0	COIL, lighting 1	1	1	1	1	
5	4DE-85580-00	COIL, pulser	1	1	1	1	
6	98517-04012	SCREW, pan head	2	2	2	2	
7	98517-04025	SCREW, pan head	2	2	2	2	
8	97601-04110	SCREW, pan head w/washer	1	1	1	1	
9	#	WASHER, spring	1	1	1	1	
10	97601-04106	SCREW, pan head w/washer	2	2	2	2	
11	#	WASHER, spring	2	2	2	2	
12	98707-06014	SCREW, flat head	2	2	2	2	
13	90462-05012	CLAMP	1	1	1	1	
14	90201-12178	WASHER, plate	1	1	1	1	
15	92907-12100	WASHER, spring	1	1	1	1	
16	90170-12347	NUT	1	1	1	1	

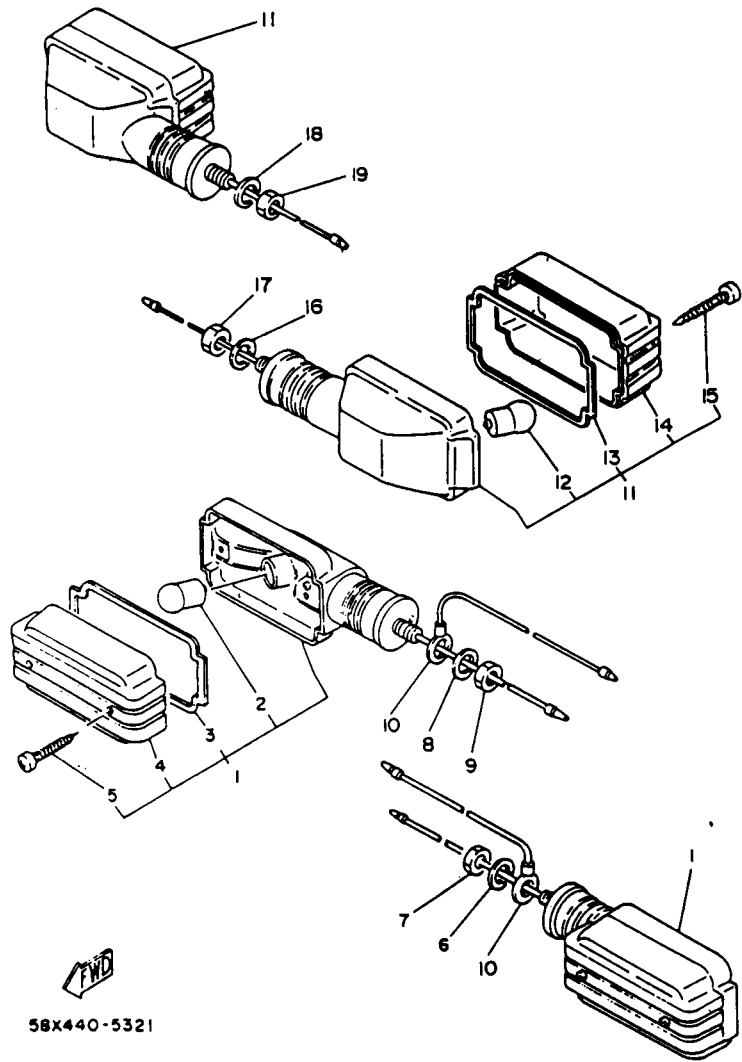


FIG. 31 FLASHER LIGHT

REF. NO.	PART NO.	DESCRIPTION	TYPE				REMARKS
			3HB5 94	3HB6 95	3HB7 96	3HB7 97	
1	3HB-H3310-V0	FRONT FLASHER LIGHT ASSY 1	1	1	1	1	
	3HB-H3320-V0	FRONT FLASHER LIGHT ASSY 2	1	1	1	1	
2	4DE-83311-00	BULB (6V-10W)	1	1	1	1	LM
3	5T5-H3313-V0	GASKET, flasher lens	1	1	1	1	
4	3HB-H3312-V0	LENS, flasher	1	1	1	1	
5	97706-40535	SCREW, tapping	2	2	2	2	LM
6	92907-10100	WASHER, spring	1	1	1	1	
7	95307-10600	NUT	1	1	1	1	
8	92907-10100	WASHER, spring	1	1	1	1	
9	95307-10600	NUT	1	1	1	1	
10	1TR-H3336-00	CORD	2	2	2	2	
11	3HB-H3330-V0	REAR FLASHER LIGHT ASSY 1	1	1	1	1	
	3HB-H3340-V0	REAR FLASHER LIGHT ASSY 2	1	1	1	1	
12	4DE-83311-00	BULB (6V-10W)	1	1	1	1	LM
13	5T5-H3313-V0	GASKET, flasher lens	1	1	1	1	
14	3HB-H3312-V0	LENS, flasher	1	1	1	1	
15	97706-40535	SCREW, tapping	2	2	2	2	LM
16	92907-10100	WASHER, spring	1	1	1	1	
17	95307-10600	NUT	1	1	1	1	
18	92907-10100	WASHER, spring	1	1	1	1	
19	95307-10600	NUT	1	1	1	1	

FWD
58X440-5321

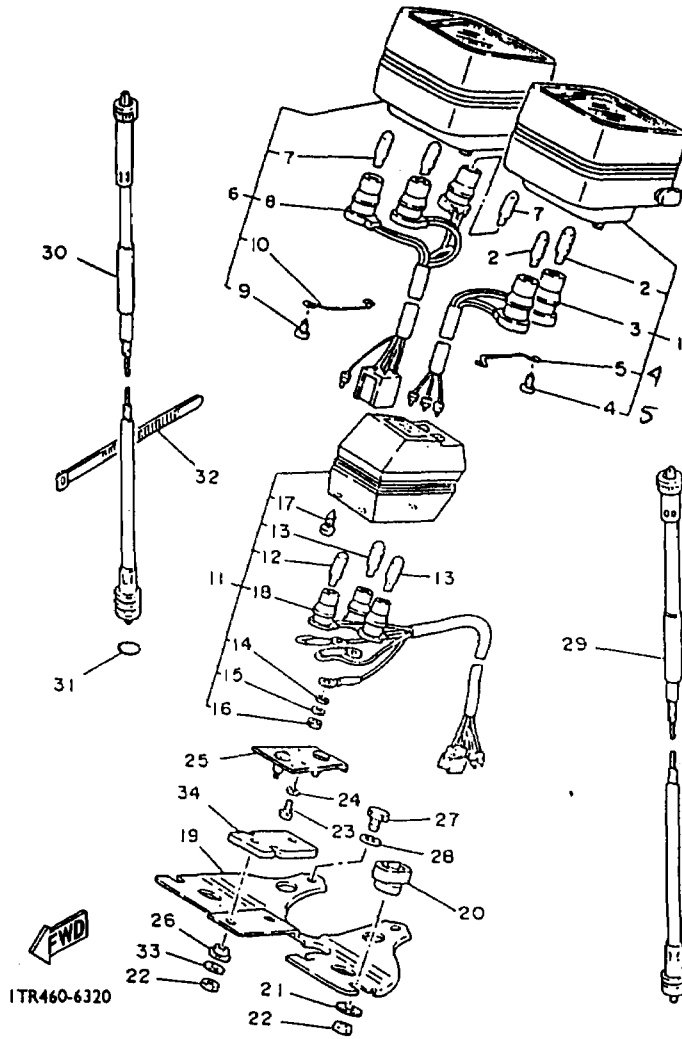


FIG. 32 METER

REF. NO.	PART NO.	DESCRIPTION	TYPE				REMARKS
			3HB5 94	3HB6 95	3HB7 96	3HB7 97	
1	1TN-H3510-V0	SPEEDOMETER ASSY	1	1	1	1	
2	4N0-83516-V0	BULB (6V-3W)	2	2	2	2	IIC JAPAN
3	5T5-H355H-V1	CORD COMP.	1	1	1	1	
4	4X8-83595-V0	CLAMP	1	1	1	1	
5	97706-40516	SCREW, pan head tapping (+)	2	2	2	2	
6	1TN-H3540-V0	TACHOMETER ASSY	1	1			
	1TR-H3540-V0	TACHOMETER ASSY			1	1	
7	4N0-83516-V0	BULB (6V-3W)	2	2	2	2	IIC JAPAN
8	5T4-H355J-V1	SOCKET CORD ASSY	1	1			
	5T5-H355J-V1	SOCKET CORD ASSY			1	1	
9	97706-40516	SCREW, pan head tapping	2	2	2	2	
10	4X8-83595-V0	CLAMP	1	1	1	1	IIC JAPAN
11	5T4-H3530-V0	PILOT LIGHT ASSY	1	1			
	1TR-H3530-V0	PILOT LIGHT ASSY			1	1	
12	5T5-83517-V0	BULB (6V-3W)	1	1	1	1	IIC JAPAN
13	4N0-83516-V0	BULB (6V-3W)	2	2	2	2	IIC JAPAN
14	92901-03200	WASHER, plain	3	3	3	3	
15	92901-03100	WASHER, spring	3	3	3	3	
16	95301-03700	NUT, hexagon	3	3	3	3	
17	97706-40516	SCREW, tapping	3	3	3	3	
18	5T4-H3520-V1	SOCKET CORD ASSY	1	1			
	5T5-H3520-V1	SOCKET CORD ASSY			1	1	
19	5T4-H3519-V0-98	BRACKET, meter	1	1			L GLOSS BLACK
	5T5-H3519-V0-98	BRACKET, meter			1	1	L GLOSS BLACK
20	5T5-H3523-V0	DAMPER	4	4	4	4	
21	5T5-H3524-V0-90	WASHER, special	4	4	4	4	BLACK CHROME
22	95306-05600	NUT	6	6	6	6	
23	98506-04010	SCREW, pan head	2	2	2	2	
24	92906-04100	WASHER, spring	2	2	2	2	
25	5T5-H3574-V0-90	BRACKET, indicator light 1	1	1	1	1	BLACK CHROME
26	5T5-H3526-V0	DAMPER 2	2	2	2	2	
27	97001-08025	BOLT	2	2	2	2	

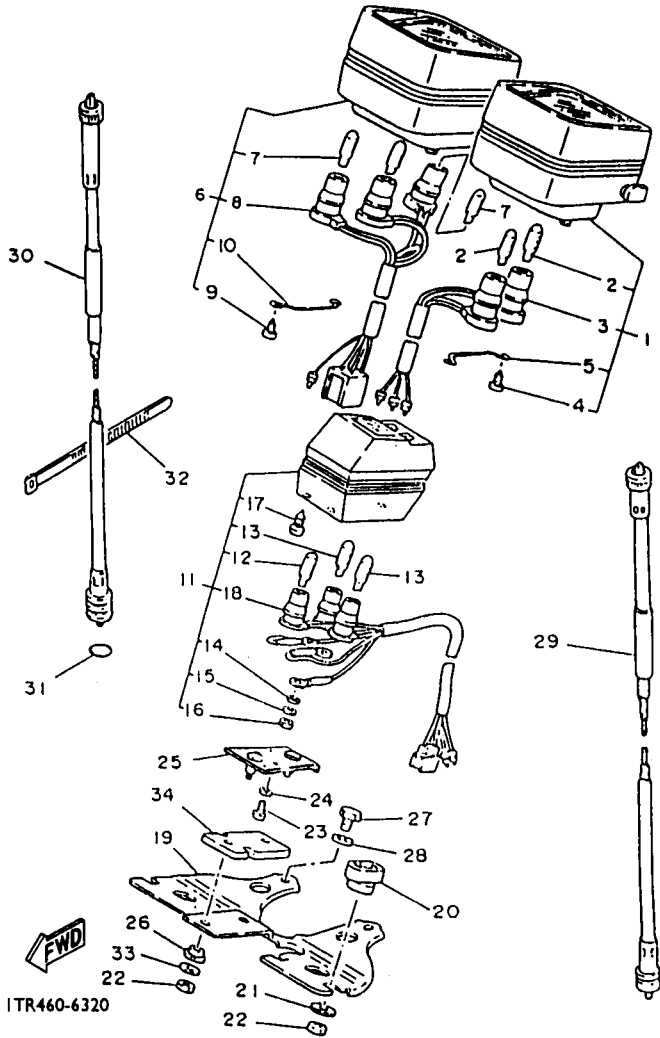
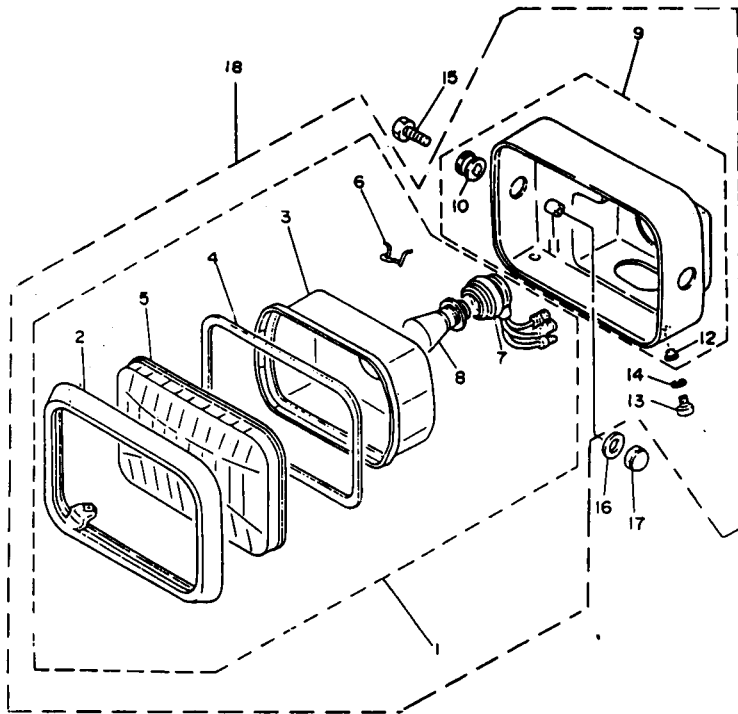


FIG. 32 METER

REF. NO.	PART NO.	DESCRIPTION	T	Y	P	E	REMARKS
			3HB5 94	3HB6 95	3HB7 96	3HB7 97	
28	92901-08600	WASHER, plate	2	2	2	2	
29	5T4-H3550-00	SPEEDOMETER CABLE ASSY	1	1	1	1	
30	5T4-H3560-00	TACHOMETER CABLE ASSY	1	1	1	1	
31	93210-14104	O-RING	1	1	1	1	
32	3RS-H3936-00	BAND, switch cord	1	1	1	1	
33	90201-052E2	WASHER, plate	2	2	2	2	
34	5T5-H3513-00	DAMPER	1	1	1	1	

ITR460-6320

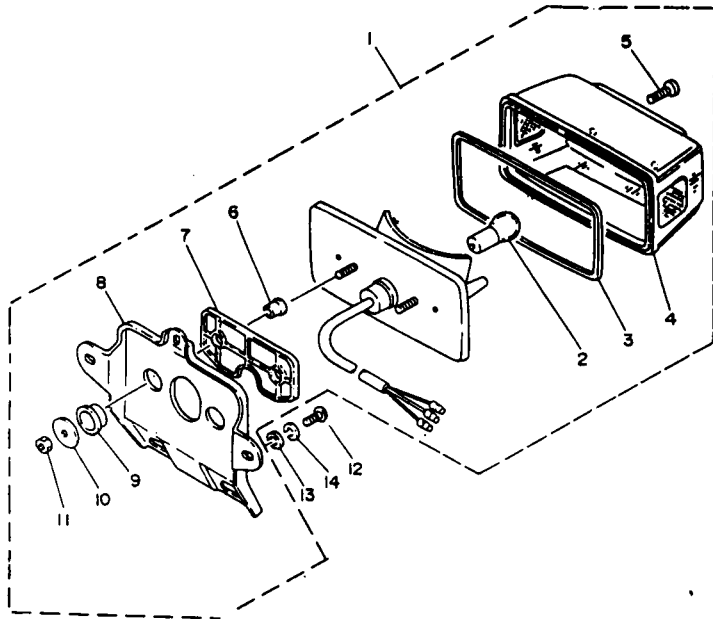
FIG. 33 HEADLIGHT



REF. NO.	PART NO.	DESCRIPTION	T Y P E				REMARKS
			3HB5 94	3HB6 95	3HB7 96	3HB7 97	
1	5T4-H4110-V0	HEADLIGHT UNIT ASSY	1	1	1	1	
2	5T4-H4115-V0-93	RIM, headlight	1	1	1	1	
3	5T4-8412A-V0	REFLECTOR ASSY	1	1	1	1	
4	5T4-H4122-V0	GASKET, lens	1	1	1	1	
5	5T4-H4121-V0	LENS, headlight	1	1	1	1	
6	5T5-H4124-V0-91	SPRING, set	4	4	4	4	
7	5T5-H4140-V0	SOCKET CORD ASSY	1	1	1	1	
8	4FE-H4114-00	BULB (6V-25/25W)	1	1	1	1	LM
9	5T5-H4130-V0	BODY ASSY, headlight	1	1	1	1	
10	5T5-H4163-V1	DAMPER	2	2	2	2	
11	5T5-H4145-V0-92	COLLAR, body fitting	2	2	2	2	
12	5T5-H4127-V0-92	WASHER, special	2	2	2	2	
13	97601-05112	SCREW, pan head w/washer	2	2	2	2	LM
14	#	WASHER, spring	2	2	2	2	
15	97004-08025	BOLT	2	2	2	2	
16	90201-08612	WASHER, plate	2	2	2	2	
17	95304-08800	NUT, crown	2	2	2	2	
18	5T4-H4100-V0	HEADLIGHT ASSY	1	1	1	1	

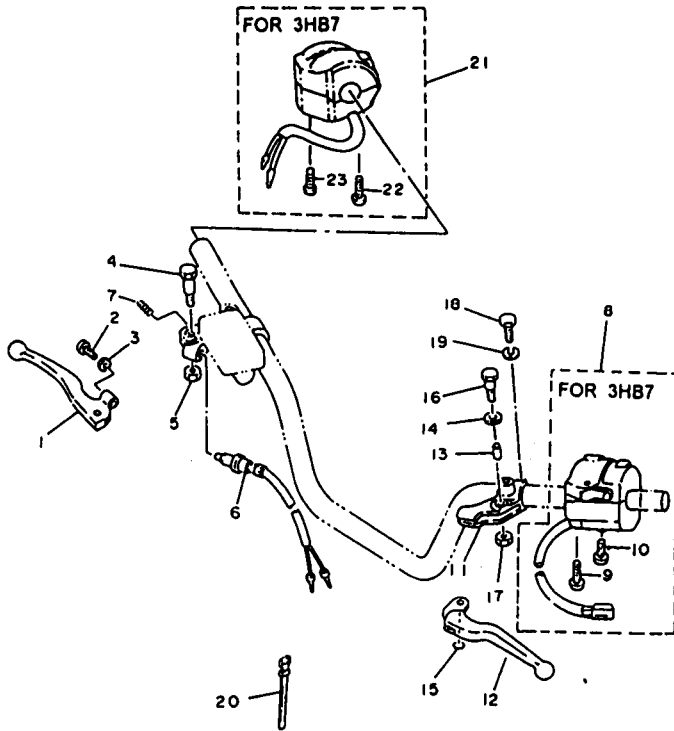
EF 460-5330

FIG. 34 TAILLIGHT



REF. NO.	PART NO.	DESCRIPTION	TYPE				REMARKS
			3HB5 94	3HB6 95	3HB7 96	3HB7 97	
1	3HB-H4500-00	TAILLIGHT UNIT ASSY	1	1	1	1	
2	4DE-84514-00	BULB (6V-17/5.3W)	1	1	1	1	
3	5T5-H4523-V0	GASKET, lens	1	1	1	1	
4	3HB-H4521-00	LENS, taillight	1	1	1	1	
5	97706-40630	SCREW, tapping	2	2	2	2	LM
6	5T4-H4557-V0-92	COLLAR	2	2	2	2	3V2-84557-00
7	5T0-H4542-V0	SET, base	1	1	1	1	4G2-84542-00
8	37J-H4551-V0-98	BRACKET, license	1	1	1	1	37L-84551-00
9	5T0-H4553-V0	DAMPER	2	2	2	2	4G2-84553-00
10	4G2-H4554-V0-91	WASHER, special	2	2	2	2	
11	95301-06600	NUT	2	2	2	2	LM
12	98507-06018	SCREW, pan head	3	3	3	3	
13	92907-06200	WASHER, plain	3	3	3	3	
14	92907-06100	WASHER, spring	3	3	3	3	

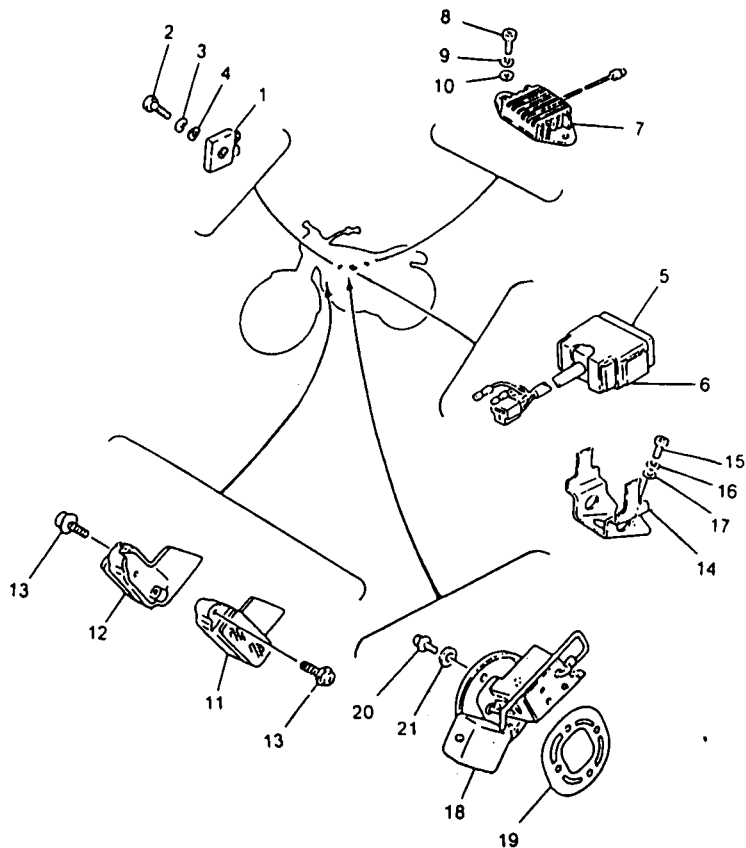
FIG. 35 HANDLE SWITCH LEVER



FWD
ITN460-6350

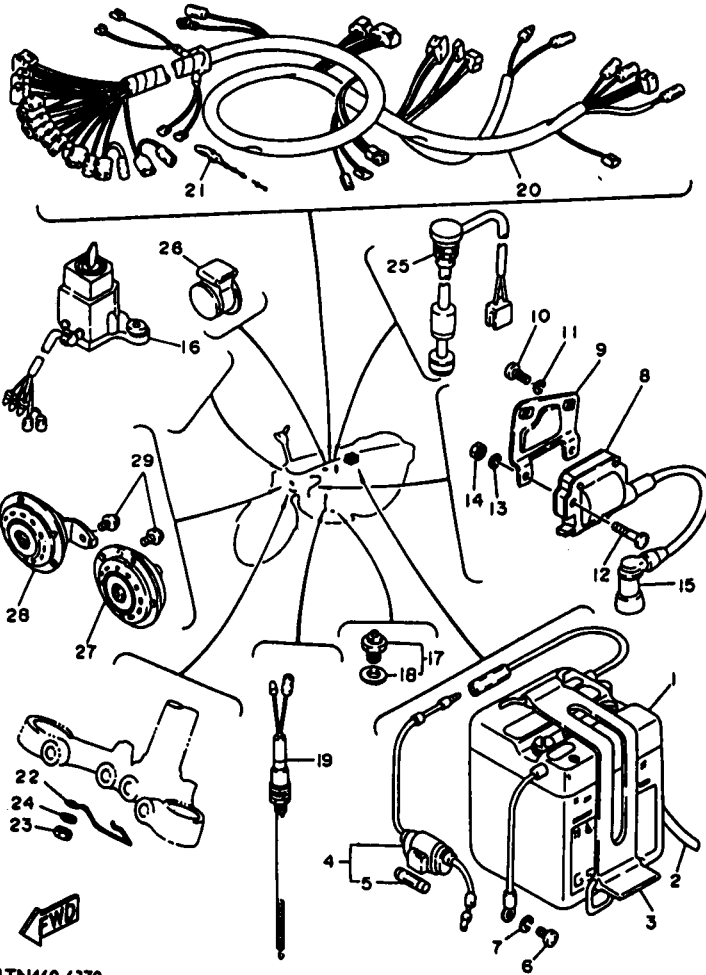
REF. NO.	PART NO.	DESCRIPTION	T Y P E				REMARKS
			3HB5 94	3HB6 95	3HB7 96	3HB7 97	
1	4L0-83922-00	LEVER 2	1	1			
	31A-83922-00	LEVER 2			1	1	
	3KA-H3922-00	LEVER 2			1	1	LM
2	90149-08131	SCREW	1	1	1	1	
3	90170-08010	NUT	1	1	1	1	
4	90109-06577	BOLT	1	1	1	1	
5	95607-06100	NUT, u	1	1	1	1	
6	5T5-H3980-V0	FRONT STOP SWITCH ASSY	1	1	1	1	
7	90501-10312	SPRING, compression	1	1	1	1	
8	1TN-H3972-V0	SWITCH, handle 4	1	1			
	3HB-H3969-00	SWITCH, handle 5			1	1	
9	98506-05035	SCREW, pan head (+)	1	1			LM
	98506-05040	SCREW, pan head (+)			1	1	LM
10	98506-05030	SCREW, pan head (+)	1	1	1	1	LM
11	3Y6-82911-00	HOLDER, lever 1	1	1			
	57V-82911-00	HOLDER, lever 1			1	1	
	3KA-H2911-00	HOLDER, lever 1			1	1	LM
12	2H0-83912-30	LEVER 1	1	1			
	31A-83912-00	LEVER 1			1	1	
	3KA-H3912-00	LEVER 1			1	1	LM
13	31A-83913-00	COLLAR, lever					
14	*	WASHER, plate	1	1	1	1	
15	93210-11368	O RING	1	1	1	1	
16	90109-06799	BOLT, lever	1	1	1	1	
17	95607-06100	NUT, u	1	1	1	1	
18	97507-06422	BOLT, hexagon head w/ washer	1	1	1	1	
19	*	WASHER, spring	1	1	1	1	
20	3RS-H3936-00	BAND, switch cord	2	2	2	2	
21	3KA-H3976-00	SWITCH, handle 1			1	1	
22	98506-05040	SCREW, pan head (+)			1	1	LM
23	98506-05050	SCREW, pan head (+)			1	1	LM

FIG. 36 ELECTRICAL 1



REF. NO.	PART NO.	DESCRIPTION	TYPE				REMARKS
			3HB5 94	3HB6 95	3HB7 96	3HB7 97	
1	5T5-H1970-V0	RECTIFIER ASSY	1	1	1	1	
2	97607-05220	SCREW, pan head with washer	1	1	1	1	
3	*	WASHER, spring					
4	*	WASHER, plate					
5	4DE-H5540-00	C.D.I. UNIT ASSY	1	1	1	1	
6	37J-85546-00	BAND	1	1	1	1	
7	54N-H1910-V0	VOLTAGE REGULATOR ASSY	1	1	1	1	
8	97607-06214	SCREW, pan head with washer	2	2	2	2	
9	*	WASHER, spring					
10	*	WASHER, plate					
11	5T4-H5110-V0	FRONT REFLECTOR ASSY 1	1	1	1	1	
12	5T4-H5120-V0	FRONT REFLECTOR ASSY 2	1	1	1	1	
13	90159-04053	SCREW, with washer	4	4	4	4	
14	37J-21274-00	BRACKET, c.d.i unit	1	1	1	1	
15	97607-06210	SCREW, pan head with washer	1	1	1	1	
16	*	WASHER, spring					
17	*	WASHER, plate					
18	3KA-85752-00	SENDER			1	1	
19	2H7-85753-00	GASKET			1	1	
20	95807-06014	BOLT, flange			4	4	
21	90202-05193	WASHER, plain			4	4	


ITN460-6360



1TN460-6370

FIG. 37 ELECTRICAL 2

REF. NO.	PART NO.	DESCRIPTION	T	Y	P	E	REMARKS
			3HB5 94	3HB6 95	3HB7 96	3HB7 97	
1	527-H2110-10	BATTERY ASSY (6N4-2A-2)	1	1	1	1	LM
	527-H2110-30	BATTERY ASSY (6N4-2A-2)	1	1	1	1	LM
2	90445-08338	HOSE	1	1	1	1	
3	3M5-82131-00	BAND, battery	1	1	1	1	
4	55K-82150-01	FUSE HOLDER ASSY	1	1			
	3KA-H2150-01	FUSE HOLDER ASSY			1	1	
5	116-82151-00	. FUSE (10A)	2	2			
	3KA-H2151-01	. FUSE (12A) <i>Combin</i>			2	2	
6	98507-06010	SCREW, pan head (+)	1	1	1	1	
7	*	WASHER, spring					
8	5T6-H2310-V0	IGNITION COIL ASSY	1	1			
	3KA-H2310-00	IGNITION COIL ASSY			1		
	4ST-H2310-00	IGNITION COIL ASSY			1	1	
9	375-82316-01	BRACKET, ignition coil	1	1			
	3HB-H2316-00-92	BRACKET, ignition coil			1	1	YELLOW CHRМ
10	97607-06112	SCREW, pan head	2	2	2	2	
11	92907-06100	WASHER, spring	2	2	2	2	
12	98507-06025	SCREW, pan head	2	2	2	2	
13	97607-06112	WASHER, spring	2	2	2	2	
14	95307-06600	NUT	2	2	2	2	
15	56J-82370-00	PLUG CAP ASSY	1	1	1	1	
16	5T5-H2501-V3	MAIN SWITCH STEERING LOCK	1	1	1	1	
17	136-82540-03	NEUTRAL SWITCH ASSY	1	1	1	1	
18	136-82543-00	. GASKET	1	1	1	1	
19	5T5-H2530-V0	STOP SWITCH ASSY	1	1	1	1	
20	1TN-H2590-00	WIRE HARNESS ASSY	1	1			
	3HB-H2590-01	WIRE HARNESS ASSY			1	1	
21	90464-20031	CLAMP	4	4	4	4	
22	11L-82594-00	CLAMP	1	1	1	1	
23	95307-06600	NUT	1	1	1	1	
24	90201-06050	WASHER, plate	1	1	1	1	
25	3WL-H5720-00	OIL LEVEL GAUGE ASSY	1	1	1	1	

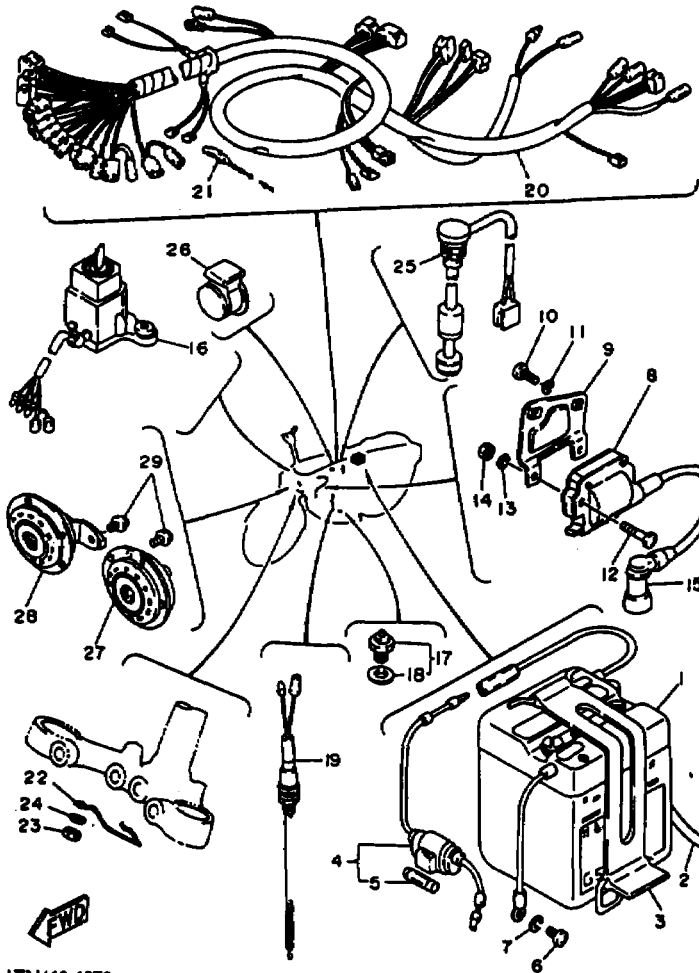


FIG. 37 ELECTRICAL 2

REF. NO.	PART NO.	DESCRIPTION	T	Y	P	E	REMARKS
			3HB5 94	3HB6 95	3HB7 96	3HB7 97	
26	5T5-H3350-V0	FLASHER RELAY ASSY	1	1	1	1	
27	5T5-H3371-V0	HORN	1	1	1	1	
28	5T4-H3371-V0	HORN	1	1	1	1	
29	95807-08012	BOLT, flange	2	2	2	2	

ITN460-6370

I N D E X

NUMERICAL INDEX

PART NO.	REF NO.	PART NO.	REF NO.	PART NO.	REF NO.	PART NO.	REF NO.	PART NO.	REF NO.
3HB- E1111-00	1- 2	3HB- E5150-00	7-14	4X8- F1711-01-EG	17- 2	3KA- F2210-40	19-22	278- F3181-50	21- 8
3HB- E1128-00	1- 6	3KA- E5353-00	13-17	3HB- F1720-00-EG	17- 4	3KA- F2210-50	19-22	4X8- F3340-00-33	21-23
3RS- E1128-00	1- 7	1TN- E5362-00	8-29	3HB- F1720-10-EG	17- 4	3KA- F2311-00-33	19-16	1M3- F3346-00	21-25
3HB- E1129-00	1- 3	3HB- E5411-00-33	8- 1	3HB- F1720-30-33	17- 4	3KA- F2311-10	19-16	156- F3411-00	21-24
3HB- E1129-00	1- 5	3HB- E5415-00-33	8-14	3HB- F1720-40-33	17- 4	3HB- F3100-30	21- 1	23T- F3416-00	20- 6
3KA- E1129-00	1-13	3HB- E5416-00-33	8-25	3HB- F1720-50-33	17- 4	3KA- F3106-00	21- 2	37J- F3435-00-33	20-11
3KA- E1161-00	1-14	3HB- E5421-00-33	8-19	3HB- F1720-60-33	17- 4	3KA- F3107-00	21- 5	3HB- F4100-00-EG	22- 1
3KA- E1162-00	1- 4	3KA- E5451-00	8-24	4X8- F1721-00-33	17- 5	4X8- F3110-00	21-11	3HB- F4100-10-EG	22- 1
3RS- E1162-00	1-12	3RS- E5618-00	9-12	4X8- F1721-00-EG	17- 5	1X0- F3111-00	21-21	3HB- F4100-20-33	22- 1
3HB- E1181-00	1- 8	3HB- E5620-00	9-11	3HB- F1745-00	18- 9	146- F3114-00	21-20	3HB- F4100-30-33	22- 1
3HB- E1311-00	1-11	1TN- E8110-00	14-10	3HB- F174G-60	17- 3	260- F3118-40	21-26	3HB- F4110-A4-33	22- 1
3KA- E1351-00	1-15	1EG- E8113-01	14-11	3HB- F174G-70	17- 3	2A1- F3118-K0	21-16	3HB- F4110-A5-33	22- 1
3HB- E1631-10	2-15	3KA- E8579-00	13- 9	3HB- F174G-90	17- 3	5T4- F3121-00	21-27	3HB- F4246-70	22- 2
3HB- E1635-00	2-15	3HB- F1110-00-33	15- 1	3HB- F174G-A0	17- 3	4N6- F3122-00	21-18	3HB- F4246-80	22- 2
3HB- E1636-00	2-15	5T4- F1110-03-33	15- 1	3HB- F174G-F0	17- 3	5T4- F3131-00	21-28	3HB- F4246-A0	22- 2
3HB- E1637-00	2-15	5T4- F1398-V0	15-10	3HB- F174G-G0	17- 3	4N6- F3132-00	21-19	3HB- F4246-C0	22- 2
3HB- E1638-00	2-15	3RS- F1510-02-33	16- 1	3HB- F174H-60	17- 6	2R6- F3141-00	21-13	3HB- F4246-F0	22- 2
1EG E3116-00	3-16	3RS- F1510-02-EG	16- 1	3HB- F174H-70	17- 6	256- F3142-60	21-15	3HB- F4246-G0	22- 2
5T4- E3581-00	4-14	4X8- F1610-00-33	16- 6	3HB- F174H-90	17- 6	535- F3144-00	21-14	3HB- F4247-70	22- 3
4Y2- E3581-00	4-14	29N- F1629-00	16-11	3HB- F174H-A0	17- 6	5F6- F3145-00	21- 3	3HB- F4247-80	22- 3
3KA- E3621-00	4- 7	3HB- F1710-00-EG	17- 1	3HB- F174H-F0	17- 6	5F6- F3145-00	21- 6	3HB- F4247-A0	22- 3
5T4- E4401-00	4-22	3HB- F1710-10-EG	17- 1	3HB- F174H-G0	17- 6	3V3- F3156-00	21- 4	3HB- F4247-C0	22- 3
5T4- E4451-01	4-23	3HB- F1710-30-33	17- 1	5T4- F1751-00	18- 1	3V3- F3156-00	21- 7	3HB- F4247-F0	22- 3
4X8- E4611-01-93	6- 1	3HB- F1710-40-33	17- 1	5T4- F1751-01	18- 1	509- F3158-L0	21- 9	3HB- F4247-G0	22- 3
3WL E4711-01-93	6- 6	3HB- F1710-50-33	17- 1	4X8- F2110-00-33	19- 1	3M5- F3163-00	21-17	3KA- F4500-00	22- 9
3WL E4711-10-33	6-13	3HB- F1710-60-33	17- 1	3HB- F2110-00-33	19- 1	1X0- F3168-00	21-22	29N- F4500-V0	22- 9
4X8- E4753-00	6- 7	4X8- F1711-00-33	17- 2	3HB- F2126-30	19-26	2A1- F3170-00	21-12	5T5- F4500-V1	22- 9
3WL E4771-00-33	6-13	4X8- F1711-01-33	17- 2	5T4- F2141-01-91	19- 3	2K5- F3173-00	21-10	5T5- F4521-V0	22-11

NUMERICAL INDEX

PART NO.	REF NO.	PART NO.	REF NO.	PART NO.	REF NO.	PART NO.	REF NO.	PART NO.	REF NO.
5T4- F4650-V0	22-18	4X8- F5111-00-33	24- 1	3HB- F6335-00	27- 7	3KA- H2310-00	37- 8	5T5- H3524-V0-90	32-21
3HB- F470F-40	23- 2	3M5- F5181-01-91	24-17	3RS- F6372-00	27-22	4ST- H2310-00	37- 8	5T5- H3526-V0	32-26
37J- F4716-00-33	23- 6	1EG- F5304-00	26-24	3KA- F6372-01	27-23	5T6- H2310-V0	37- 8	5T4- H3530-V0	32-11
3HB- F4730-40	23- 1	37J- F5311-00-33	26- 1	3KA- F6393-00-90	27-21	3HB- H2316-00-92	37- 9	1TR- H3530-V0	32-11
527- F4741-10	23- 3	23T- F5321-01-33	26- 8	4X8- F7111-00-33	29- 1	5T5- H2501-V3	37-16	1TN- H3540-V0	32- 6
37J- F474A-00-33	23- 8	23T- F5330-00	26- 9	37J- F7112-01-91	29- 2	5T5- H2530-V0	37-19	1TR- H3540-V0	32- 6
3HB- F4750-00-EG	23- 9	37J- F5336-01	26-16	3HB- F7115-00-91	29- 3	1TN- H2590-00	37-20	5T4- H3550-00	32-29
3HB- F4750-10-EG	23- 9	23T- F5364-00	26- 6	3KA- F7211-3098	29- 7	3HB- H2590-01	37-20	5T5- H355H-V1	32- 3
3HB- F4750-40	23- 9	3RS- F5371-00-33	26-29	3HB- F7231-00-91	29- 9	3KA- H2911-00	35-11	5T4- H355J-V1	32- 8
3HB- F4750-50	23- 9	3AY- F5381-01-91	26-36	463- F7311-00-33	29-18	3HB- H3310-V0	31- 1	5T5- H355J-V1	32- 8
3HB- F4750-60	23- 9	4X8- F5388-00-91	26-42	3KA- F7411-00-33	29-15	3HB- H3312-V0	31- 4	5T4- H3560-00	32-30
3HB- F4750-70	23- 9	4X8- F5389-00-91	26-43	4X8- F7411-01-33	29-15	3HB- H3312-V0	31-14	5T5- H3574-V0-90	32-25
37J- F4756-00-33	23-10	4ST- F5438-00	26-20	1V1- F7413-00	29-16	5T5- H3313-V0	31- 3	3KA- H3912-00	35-12
37J- F4756-00-EG	23-10	3HB- F6110-30-98	27- 1	2ET- F7413-00	29-16	5T5- H3313-V0	31-13	3KA- H3922-00	35- 1
3HB- F4773-30-98	23-14	3HB- F6110-40-98	27- 1	3AY- F7430-00	19- 7	3HB- H3320-V0	31- 1	3RS- H3936-00	32-32
3HB- F477V-60	23-11	3KA- F6241-00	27-12	3XA- F7430-00	19- 7	3HB- H3330-V0	31-11	3RS- H3936-00	35-20
3HB- F477V-70	23-11	3KA- F6241-10	27-12	1V1- F7433-00	19- 8	1TR- H3336-00	31-10	3HB- H3969-00	35- 8
3HB- F477V-90	23-11	3KA- F6242-00	27- 9	3XA- F7433-00	19- 8	3HB- H3340-V0	31-11	1TN- H3972-V0	35- 8
3HB- F477V-A0	23-11	3KA- F6242-10	27- 9	3XA- F7433-00	19-10	5T5- H3350-V0	37-26	3KA- H3976-00	35-21
3HB- F477V-F0	23-11	1TN- F6261-00	27- 5	3XA- F7440-00	19- 9	5T5- H3371-V0	37-27	5T5- H3980-V0	35- 6
3HB- F477V-G0	23-11	3KA- F6268-00	27- 6	5T4- F8179-00	17-16	5T4- H3371-V0	37-28	5T4- H4100-V0	33-18
3HB- F477W-60	23-12	3WL- F6280-10	27-19	3M5- F8179-11	17-16	1TN- H3510-V0	32- 1	5T4- H4110-V0	33- 1
3HB- F477W-70	23-12	3WL- F6290-10	27-18	54N- H1910-V0	36- 7	5T5- H3513-00	32-34	4FE- H4114-00	33- 8
3HB- F477W-90	23-12	1TN- F6311-00	27- 2	5T5- H1970-V0	36- 1	5T4- H3519-V0-98	32-19	5T4- H4115-V0-93	33- 2
3HB- F477W-A0	23-12	3HB- F6311-00	27- 2	527- H2110-10	37- 1	5T5- H3519-V0-98	32-19	5T4- H4121-V0	33- 5
3HB- F477W-F0	23-12	1TN- F6312-00	27- 3	527- H2110-30	37- 1	5T4- H3520-V1	32-18	5T4- H4122-V0	33- 4
3HB- F477W-G0	23-12	1TN- F6321-00	27- 4	3KA- H2150-01	37- 4	5T5- H3520-V1	32-18	5T5- H4124-V0-91	33- 6
1TN- F5104-00	24- 9	1TN- F6335-00	27- 7	3KA- H2151-01	37- 5	5T5- H3523-V0	32-20	5T5- H4127-V0-92	33-12

NUMERICAL INDEX

<u>PART NO.</u>	<u>REF NO.</u>	<u>PART NO.</u>	<u>REF NO.</u>	<u>PART NO.</u>	<u>REF NO.</u>	<u>PART NO.</u>	<u>REF NO.</u>	<u>PART NO.</u>	<u>REF NO.</u>
5T5- H4130-V0	33- 9								
5T5- H4140-V0	33- 7								
5T5- H4145-V0-92	33-11								
5T5- H4163-V1	33-10								
3HB- H4500-00	34- 1								
3HB- H4521-00	34- 4								
5T5- H4523-V0	34- 3								
5T0- H4542-V0	34- 7								
37J- H4551-V0-98	34- 8								
5T0- H4553-V0	34- 9								
4G2- H4554-V0-91	34-10								
5T4- H4557-V0-92	34- 6								
5T4- H5110-V0	36-11								
5T4- H5120-V0	36-12								
4DE- H5540-00	36- 5								
4DE- H5560-M0	30- 2								
3WL H5720-00	37-25								
23L- W0041-00	28- 2								
43F- W0045-01	25- 5								
4X8- W0045-01	25- 7								
51L- W0048-00	25-10								

NUMERICAL INDEX

PART NO.	REF NO.	PART NO.	REF NO.	PART NO.	REF NO.	PART NO.	REF NO.	PART NO.	REF NO.
4X8- 11400-00	2- 1	4X8- 14101-03	5- 1	360- 14713-00	6-10	1V1- 16371-02	10- 3	3M5- 18140-00	13-20
452- 11412-00	2- 2	31J- 14103-00	5- 5	3M5- 14714-01	6-11	427- 17121-01	11- 8	307- 18188-01	8- 2
452- 11422-00	2- 3	10W- 14104-00	5-13	3FL- 14714-01	6-11	3M5- 17131-01	11- 6	3M5- 18511-01	13-11
4X8- 11601-00	2-19	31J- 14106-00	5-14	4X8- 1490J-00	5- 8	3M5- 17141-01	11- 3	3M5- 18512-00	13-12
4X8- 11601-10	2-19	31J- 14107-20	5- 6	304- 15128-00	7- 8	3M5- 17151-01	11- 7	3M5- 18513-00	13-13
4X8- 11601-20	2-19	304- 14112-15	5-17	248- 15357-00	8-13	3M5- 17211-01	11-12	2A6- 18531-00	13-14
4X8- 11601-30	2-19	193- 14126-00	5-16	120- 15371-00	7-10	3M5- 17221-00	11-15	2A6- 18535-00	13-15
4X8- 11601-40	2-19	3X3- 14131-00	5-18	4X8- 15435-00	8-15	3M5- 17231-00	11-16	3M5- 18540-01	13- 1
4X8- 11633-00	2-16	2F5- 14141-34	5- 9	4X8- 15435-00	8-26	3M5- 17241-01	11-17	136- 18542-00	13- 7
4X8- 11651-00	2- 7	260- 14142-17	5- 3	4X8- 15443-00	8-16	3M5- 17251-01	11-18	164- 18561-00	13- 4
3M5- 11681-00	2- 4	137- 14143-25-A0	5- 4	4X8- 15447-01	8-20	3M5- 17410-00	11- 1	164- 18589-00	13- 8
4X8- 13101-00	3- 1	137- 14143-26-A0	5- 4	1W1 15641-00	9- 5	1V1- 17411-01	11- 2	37J- 21274-00	36-14
137- 13137-00-03	3- 2	137- 14143-27	5- 4	525- 15651-00	9- 1	137- 17417-00-05	9- 2	4X8- 21343-00	15-12
137- 13137-00-05	3- 2	2N4 14145-00	5-10	4F2- 15660-01	9- 4	137- 17417-00-06	9- 2	1A8- 21518-00	16- 3
137- 13137-00-10	3- 2	132- 14146-00	5-23	4F2- 15666-00	9- 9	137- 17417-00-07	9- 2	3HP- 21568-00	22-25
137- 13138-01	3- 3	214- 14147-00	5-25	401- 15676-00	9- 7	137- 17417-00-10	9- 2	29N- 21581-00	16- 4
367- 13146-01	3-13	307- 14169-10	5-15	401- 16111-00-30	10-11	137- 17417-00-12	9- 2	4X8- 21621-00	16-14
137- 13148-00	12- 3	4U5- 14171-00	5-12	4X8- 16150-01	10- 1	558- 17421-00	11-11	2N3- 21763-01	18- 4
248- 13174-00	3-23	304- 1418-00	5-11	131- 16154-00	10- 2	164- 17427-00-06	11-14	4X8- 21764-00	18- 3
275- 13175-01	3-14	304- 14184-00	5- 2	598- 16321-01	10- 5	164- 17427-00-10	11-14	4X8- 2176G-00	17-15
137- 13176-00	3-19	127- 14186-00	5- 7	1V1- 16324-00	10- 4	403- 17471-00	11-21	4X8- 2176R-02	18- 2
248- 13178-00	3-20	12R- 14191-00	5-24	241- 16341-01	8- 6	443- 17831-02	12- 2	1T9 21771-00	18- 5
353- 13552-01	3-10	183- 14196-00	5-19	3M5- 16342-00	8- 4	248- 17837-00	12- 5	37J- 21781-10	17-12
4X8- 13565-00	4- 8	183- 14197-01	5-22	3KA- 16342-00	8- 4	1V1- 17841-00	12- 6	37J- 21782-10	17-13
4X8- 13610-00	4- 1	3M5- 14453-00	4-12	132- 16346-00	8- 7	248- 17861-00	12- 1	307- 22123-00	19- 2
4X8- 13613-10	4- 2	1V1- 14612-00	6- 2	598- 16351-00	10- 6	3M5- 18101-01	14- 1	173- 22151-00	19- 6
4X8- 13613-20	4- 3	152- 14613-00	6- 3	137- 16356-00	10-17	4X8- 18112-00	14-16	4N4- 23395-00	20-17
345- 13616-70	4- 4	3PA- 14613-10	6- 3	560- 16357-00	10-19	336- 18115-00	14-15	22F- 23411-01	20- 2

NUMERICAL INDEX

PART NO.	REF NO.	PART NO.	REF NO.	PART NO.	REF NO.	PART NO.	REF NO.	PART NO.	REF NO.
158- 23412-00	20- 1	3HB- 25831-00	25- 1	136- 82540-03	37-17				
22F- 23412-01	20- 3	341- 25846-00	24- 8	136- 82543-00	37-18				
1E8- 23441-00	20-15	2RJ- 25850-00	28- 1	11L- 82594-00	37-22				
2Y1- 23448-00	20- 8	4X8- 25852-A0	28- 3	3Y6- 82911-00	35-11				
4X8- 24161-00	22-20	4L0- 25854-00	28- 4	57V- 82911-00	35-11				
4X8- 24162-00	22-21	360- 25862-00	28-11	4DE- 83311-00	31- 2				
122- 24181-00	22- 4	4L0- 25867-00	28- 6	4DE- 83311-00	31-12				
3M5- 24182-01	22- 5	4X8- 25872-00	28-12	4N0- 83516-V0	32- 2				
4X8- 24500-02	22- 9	1V1- 25875-00	28-13	4N0- 83516-V0	32- 7				
4X8- 24512-V0	22-13	4X8- 25876-00	28-15	4N0- 83516-V0	32-13				
4X8- 24515-V0	22-15	4X8- 25917-00	25-11	5T5- 83517-V0	32-12				
4X8- 24534-V0	22-10	11H- 25919-00	25- 9	4X8- 83595-V0	32- 4				
4X8- 24535-V0	22-14	34L- 25924-00	25- 8	4X8- 83595-V0	32-10				
4X8- 24565-V0	22-12	5R2- 25937-00	25-12	31A- 83912-00	35-12				
1T4- 24796-00	23-15	5H5- 26243-00	27-10	2H0- 83912-30	35-12				
55K- 25118-00	24-16	214- 26243-00	27-10	31A- 83913-00	35-13				
341- 25149-00	24- 7	3M5- 26268-00	27- 6	4L0- 83922-00	35- 1				
4X8- 25190-00	24-14	5H5- 26281-00	27-13	31A- 83922-00	35- 1				
183- 25315-00	24- 3	5H5- 26282-00	27-14	5T4- 8412A-V0	33- 3				
102- 25315-00	26- 2	164- 26363-00	27- 8	4DE- 84514-00	34- 2				
3Y6- 2533A-01	26-15	116- 27114-00	29- 5	4DE- 85520-00	30- 2				
3Y6- 25351-00	26-11	4X8- 28100-00	23-19	37J- 85546-00	36- 6				
29M- 25355-00	26-12	1MA- 81313-V0	30- 3	4DE- 85550-M0	30- 1				
167- 25387-00	26-19	3M5- 82131-00	37- 3	4DE- 85580-00	30- 4				
404- 25412-00	25- 3	55K- 82150-01	37- 4	3KA- 85752-00	36-18				
3M5- 25412-00	26-22	116- 82151-00	37- 5	2H7- 85753-00	36-19				
3XL- 2580U-00	25- 4	375- 82316-01	37- 9						
4X8- 25827-00	25- 6	56J- 82370-00	37-15						

NUMERICAL INDEX

PART NO.	REF NO.	PART NO.	REF NO.	PART NO.	REF NO.	PART NO.	REF NO.	PART NO.	REF NO.
90101-06278	26-13	90146-06011	17- 9	90201-06050	37-24	90209-08050	15- 9	90445-09110	18-10
90101-08034	26-44	90149-06011	22-16	90201-06067	4-17	90209-10020	20- 9	90445-21551	4-18
90105-08099	15- 2	90149-06131	35- 2	90201-06067	4-30	90209-22071	2- 6	90446-07009	7-11
90105-10006	20-10	90149-08094	14- 4	90201-06380	4-17	90215-08014	14- 6	90450-25037	4-20
90105-10039	15- 3	90152-04006	22-22	90201-06380	4-30	90215-16127	11-29	90460-23171	4-20
90105-10040	15- 4	90159-04053	36-13	90201-06380	17- 8	90240-06052	19-13	90460-43053	4-11
90105-10638	25-13	90159-06099	23-13	90201-08085	14-13	90240-08053	14-12	90460-49058	4-13
90105-10747	15- 3	90170-06010	35- 3	90201-08612	22- 7	90249-12008	29-13	90461-10071	3-25
90109-06001	13-21	90170-08029	14- 5	90201-08612	33-16	90280-03017	2- 8	90462-05012	30-13
90109-06577	35- 4	90170-12060	10- 9	90201-08624	3-15	90282-05005	10-12	90464-08020	16-12
90109-066F1	19-12	90170-12347	30-16	90201-10118	28-10	90338-15110	23-17	90464-20031	37-21
90109-06799	35-16	90170-18165	26-41	90201-106F2	19-24	90340-12005	7-12	90467-08003	18-11
90109-08032	29-20	90175-06013	29-14	90201-12163	12- 7	90385-24028	18- 6	90467-08003	18-12
90109-08183	26-30	90176-10073	19-25	90201-12178	30-14	90387-07390	4-29	90467-08003	22-24
90109-08361	26-21	90179-06264	17-10	90201-122H2	14-17	90387-10087	12- 4	90467-20050	4-21
90109-08367	25- 2	90179-08148	27-17	90201-126A7	19-23	90387-12102	26-39	90468-02033	3-11
90109-08368	26-32	90179-08168	26-23	90201-14218	19-23	90387-151M3	24-15	90468-02033	3-24
90109-14385	13-16	90179-08410	1- 9	90201-14586	14- 8	90387-18144	26-40	90468-12007	26-31
90113-06013	10-21	90179-10279	1-16	90201-156F8	11-14	90387-20491	11-27	90468-26048	9- 6
90116-08166	6- 4	90179-12659	10-13	90201-17558	10-15	90387-205E9	2-10	90480-12053	4-15
90116-08393	1-10	90179-16226	11-28	90201-20266	11- 4	90387-220G4	27-20	90480-12053	4-27
90116-10278	1-17	90179-25033	20- 7	90201-20266	11- 9	90401-10034	28- 9	90480-12053	17- 7
90119-05020	10- 8	90183-04012	17-14	90201-20279	19-11	90430-04004	3- 7	90480-14023	4-28
90119-06056	16-13	90185-12046	19- 4	90201-261L1	27-11	90430-06017	12-10	90480-14102	4-28
90119-06056	19-19	90185-12046	26-37	90202-05193	36-21	90430-12812	7-13	90480-16233	18- 8
90119-06117	19-17	90185-14112	24-18	90202-06010	22-17	90445-05266	3-12	90480-18171	18- 7
90123-08013	27-16	90201-05036	16-15	90208-12015	10-10	90445-08336	37- 2	90480-25189	22- 6
90123-08046	27-16	90201-052E2	32-33	90208-12015	10-14	90445-09082	22-23	90501-02018	3- 9

NUMERICAL INDEX

PART NO.	REF NO.	PART NO.	REF NO.	PART NO.	REF NO.	PART NO.	REF NO.	PART NO.	REF NO.
90501-10245	29-12	92501-06040	4-25	92907-08100	16- 8	93109-14816	14- 7	93450-15023	2-18
90501-10312	35- 7	92506-06016	8-18	92907-08100	20-13	93210-11368	35-15	93501-04011	20- 4
90501-10353	13-18	92506-06025	8-17	92907-08100	26-34	93210-14104	32-31	93503-16010	20- 5
90501-20568	10- 7	92506-06025	8-27	92907-10100	15- 8	93210-18023	2- 9	93505-16006	13-19
90501-20618	4-19	92506-06025	8-28	92907-10100	31- 6	93210-19123	8-30	93505-32002	3- 8
90506-08122	14- 2	92506-06035	8-22	92907-10100	31- 8	93210-41041	26- 7	93603-22028	3-21
90506-09112	13-22	92506-06045	8-11	92907-10100	31-16	93306-004X6	26-17	93604-22050	13- 2
90506-10069	8- 8	92506-06055	8-12	92907-10100	31-18	93306-004Y8	26-17	93822-15065	11-26
90506-18288	26-10	92506-06055	8-23	92907-12100	30-15	93306-202X0	24- 4	94125-18810	24-10
90506-25047	29-19	92516-06030	8-10	92907-12200	19- 5	93306-202YB	24- 4	94127-18813	26-25
90506-29054	29- 4	92701-06030	15-11	92907-14200	24-20	93306-20517	2-12	94225-18076	24-11
90508-26484	9- 8	92901-03100	32-15	92990-03100	4- 6	93306-300Y8	26- 4	94225-18805	24-11
90508-32056	29- 8	92901-03200	32-14	92990-06100	6- 9	93306-30102	26- 4	94227-18185	26-26
90508-32263	14- 3	92901-05100	3- 5	92990-08100	15- 7	93306-30109	26- 5	94227-18800	26-26
90560-12145	26- 3	92901-06200	4-26	93101-10823	3-18	93306-301Y9	26- 5	94325-18812	24-12
90560-15293	24- 2	92901-08600	32-28	93101-17826	9-10	93306-303Y1	11-20	94325-18812	26-27
90560-17147	10-16	92901-10100	15- 8	93102-25860	2-13	93306-30405	2-11	94414-18804-93	26-28
91017-06016	16- 2	92902-04100	5-21	93102-26861	11-24	93306-304Y1	11-23	94414-18805-93	24-13
91317-08025	9-13	92906-04100	32-24	93102-28806	2-14	93310-214H9	2-17	94580-24109	26-46
91401-16012	14-14	92906-06600	4-10	93104-10085	8- 5	93310-422L0	2- 5	94680-24001	26-47
91401-16012	19-15	92907-05200	20-19	93104-11028	8- 5	93311-31515	11-19	94700-00816	1- 1
91401-20012	29-11	92907-06100	6- 9	93105-45017	24- 6	93311-31515	11-25	94700-00820	1- 1
91401-20015	26-35	92907-06100	34-14	93105-45808	24- 6	93410-20038	11- 5	95301-03700	32-16
91609-50016	13- 3	92907-06100	37-11	93106-22016	24- 5	93410-20038	11-10	95301-06600	34-11
92017-08060	23-16	92907-06200	4-26	93106-22818	24- 5	93430-12008	29- 6	95303-05600	3- 4
92501-06010	6- 8	92907-06200	34-13	93106-30004	26-18	93440-11029	8- 3	95303-06600	10-22
92501-06014	4-16	92907-06600	29-10	93109-05815	10-20	93440-15012	9- 3	95303-16003	10-18
92501-06014	4-32	92907-08100	15- 7	93109-08017	12- 8	93440-15012	11-13	95304-08800	33-17

NUMERICAL INDEX

<u>PART NO.</u>	<u>REF NO.</u>	<u>PART NO.</u>	<u>REF NO.</u>	<u>PART NO.</u>	<u>REF NO.</u>	<u>PART NO.</u>	<u>REF NO.</u>	<u>PART NO.</u>	<u>REF NO.</u>
95307-05600	16-16	95807-08050	20-12	97607-06210	36-15	98507-06016	8-18	99001-12600	14- 9
95307-06600	26-14	95807-10022	6-14	97607-06212	19-17	98507-06016	17-11	99236-00080	23-18
95307-06600	37-23	95826-06010	15-13	97607-06214	36- 8	98507-06016	34-12	99530-10014	7- 5
95307-08600	16- 9	95827-06025	28- 7	97607-06216	19-19	98507-06025	8-17	99530-10014	8- 9
95307-08600	20-14	95827-08020	6-15	97607-06600	37-14	98507-06025	8-27	99530-10014	8-21
95307-08600	22- 8	95827-08020	29-17	97706-40516	32- 5	98507-06025	8-28	99530-14016	7- 6
95307-08700	26-33	95827-08035	20-16	97706-40516	32- 9	98507-06025	28-14		
95307-08700	26-45	95827-08075	6-15	97706-40516	32-17	98507-06025	37-12		
95307-08700	29-21	97001-06025	4- 9	97706-40535	31- 5	98507-06030	8-10		
95307-10600	31- 7	97001-06025	4-31	97706-40535	31-15	98507-06035	8-22		
95307-10600	31- 9	97001-08025	32-27	97706-40630	34- 5	98507-06040	4-25		
95307-10600	31-17	97004-08025	33-15	98501-03008	4- 5	98507-06045	7- 2		
95307-10600	31-19	97007-06025	4-31	98506-04010	32-23	98507-06045	8-11		
95607-06100	19-14	97007-08020	16- 7	98506-05030	35-10	98507-06055	7- 3		
95607-06100	35- 5	97027-06020	14-19	98506-05035	35- 9	98507-06055	8-12		
95607-06100	35-17	97507-06422	35-18	98506-05040	35- 9	98507-06055	8-23		
95701-08500	15- 5	97507-06525	4- 9	98506-05040	35-22	98507-06065	7- 4		
95701-10500	15- 6	97507-08500	23- 4	98506-05050	35-23	98507-08010	7- 9		
95707-08500	6- 5	97507-08500	23- 7	98507-05010	20-18	98511-04016	5-20		
95707-08500	15- 5	97601-03108	4- 5	98507-05010	22-19	98517-04012	30- 6		
95707-10500	15- 6	97601-04106	30-10	98507-05014	3-17	98517-04025	30- 7		
95801-08016	6-12	97601-04110	30- 8	98507-05016	27-15	98706-04010	28- 5		
95807-06010	15-13	97601-05112	33-13	98507-06010	6- 8	98707-06014	30-12		
95807-06012	16- 5	97607-05112	13- 6	98507-06010	13-10	98707-06030	15-11		
95807-06012	16-10	97607-05216	16-17	98507-06010	37- 6	98901-04008	3- 6		
95807-06014	36-20	97607-05220	36- 2	98507-06012	11-22	98907-06025	12- 9		
95807-08012	37-29	97607-06112	37-10	98507-06016	4-16	99001-08600	3-22		
95807-08016	6-12	97607-06112	37-13	98507-06016	4-32	99001-10600	14-18		