

YAMAHA

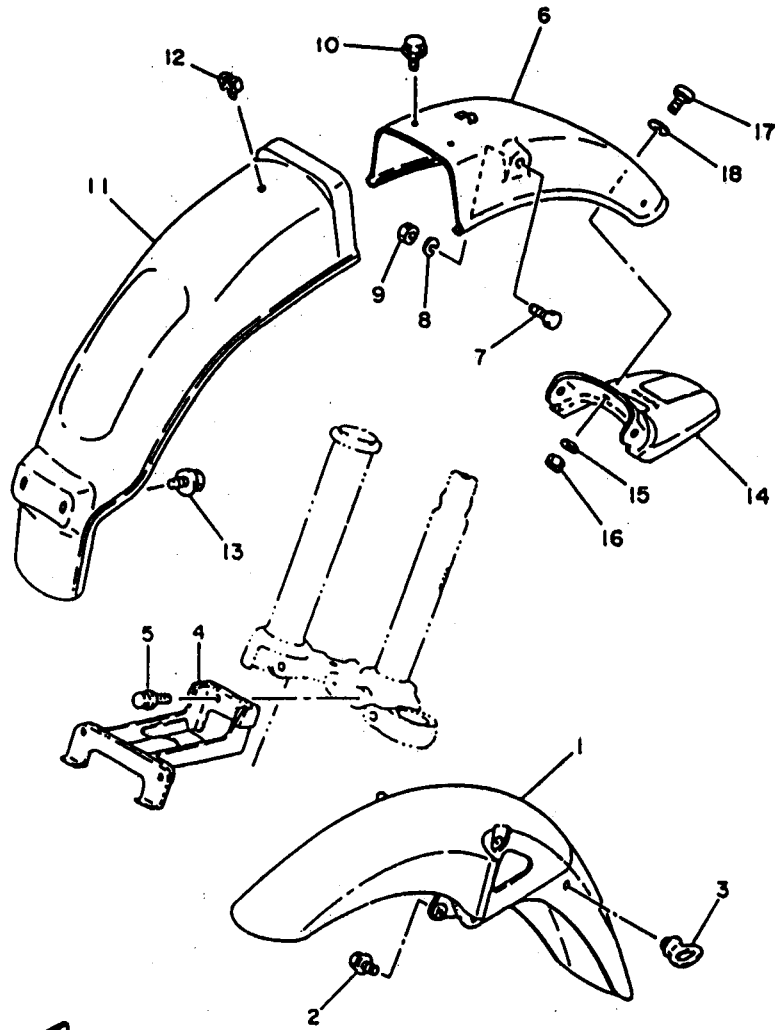
**PARTS
CATALOGUE
SUPPLEMENTARY**

RX-S (3HB7)'97

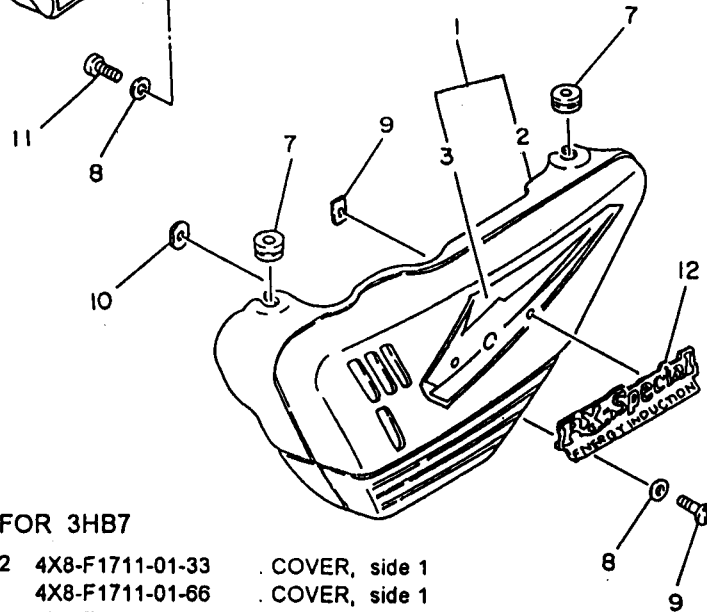
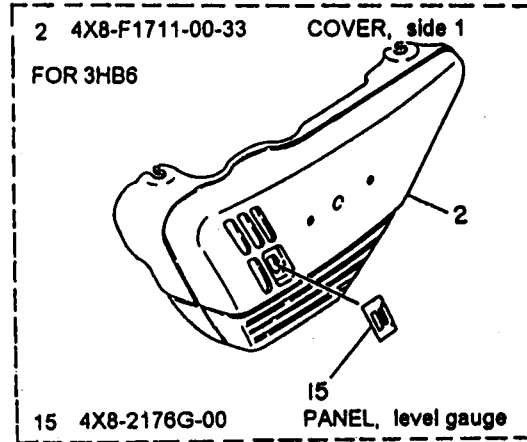
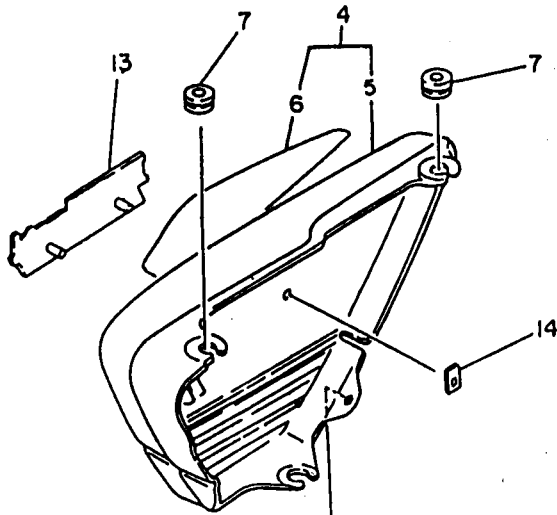
INDONESIA

YAMAHA
GENUINE
Parts & Accessories

173HB - 460E1



3HB3460-0160



FOR 3HB7

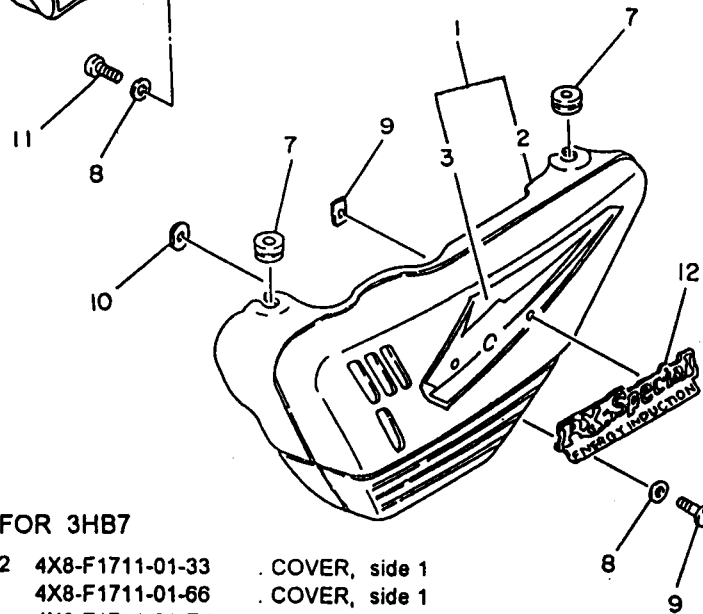
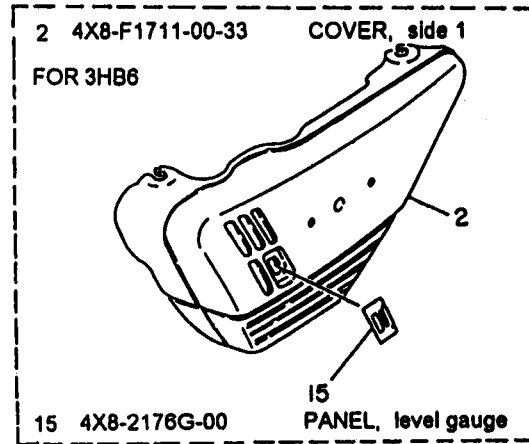
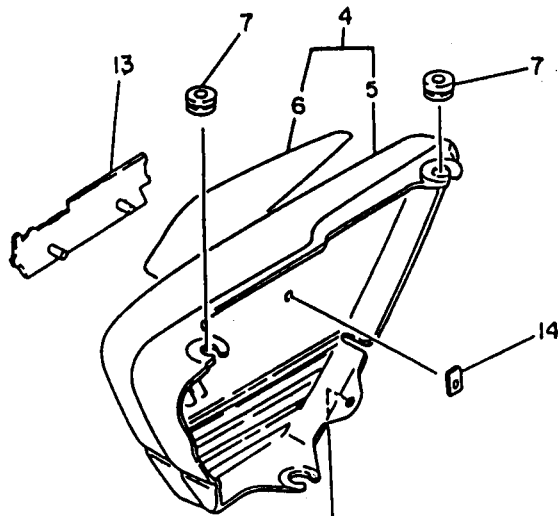
- 2 4X8-F1711-01-33 . COVER, side 1
- 4X8-F1711-01-66 . COVER, side 1
- 4X8-F1711-01-EG . COVER, side 1 (EXPORT ONLY)



ITN460-6170

FIG. 17 SIDE COVER

REF. NO.	PART NO.	DESCRIPTION	T Y P E							REMARKS	
			3HB5 94	3HB6 95	3HB7 96	3HB7 97					
1	3HB-F1710-30-33	COVER SIDE 1 ASSY (KIT)	1								BLUE, graphic
	3HB-F1710-40-33	COVER SIDE 1 ASSY (KIT)		1							BLUE, graphic
	3HB-F1710-80-66	COVER SIDE 1 ASSY (KIT)			1						BLUE, graphic
	3HB-F1710-50-33	COVER SIDE 1 ASSY (KIT)			1						RED, graphic
	3HB-F1710-00-EG	COVER SIDE 1 ASSY (KIT) (EXPORT)			1						YELLOW, graphic
	3HB-F1710-60-33	COVER SIDE 1 ASSY (KIT)				1					YB.RED
	3HB-F1710-90-66	COVER SIDE 1 ASSY (KIT)				1					VDBM3.GREEN
	3HB-F1710-10-EG	COVER SIDE 1 ASSY (KIT) (EXPORT)				1					MAPLE RED
2	4X8-F1711-00-33	. COVER, side 1	1	1							YAMAHA BLACK
	4X8-F1711-01-33	. COVER, side 1			1	1					YAMAHA BLACK
	4X8-F1711-01-66	. COVER, side 1			1	1					VERY DARK BLUE MTL
	4X8-F1711-01-EG	. COVER, side 1 (EXPORT ONLY)			1	1					MAPLE RED
3	3HB-F174G-60	. GRAPHIC 1	1								BLUE, graphic
	3HB-F174G-70	. GRAPHIC 1		1							BLUE, graphic
	3HB-F174G-80	. GRAPHIC 1			1						BLUE, graphic
	3HB-F174G-90	. GRAPHIC 1			1						RED, graphic
	3HB-F174G-A0	. GRAPHIC 1 (EXPORT ONLY)			1						YELLOW, graphic
	3HB-F174G-F0	. GRAPHIC 1				1					RED GRP.
	3HB-F174G-E0	. GRAPHIC 1				1					GREEN GRP.
	3HB-F174G-G0	. GRAPHIC 1 (EXPORT ONLY)				1					MR
4	3HB-F1720-30-33	COVER SIDE 2 ASSY (KIT)	1								BLUE, graphic
	3HB-F1720-40-33	COVER SIDE 2 ASSY (KIT)		1							BLUE, graphic
	3HB-F1720-80-66	COVER SIDE 2 ASSY (KIT)			1						BLUE, graphic
	3HB-F1720-50-33	COVER SIDE 2 ASSY (KIT)			1						RED, graphic
	3HB-F1720-00-EG	COVER SIDE 2 ASSY (KIT) (EXPORT)			1						YELLOW, graphic
	3HB-F1720-60-33	COVER SIDE 2 ASSY (KIT)				1					YB.RED
	3HB-F1720-90-66	COVER SIDE 2 ASSY (KIT)				1					VDBM3.GREEN
5	3HB-F1720-10-EG	COVER SIDE 2 ASSY (KIT) (EXPORT)				1					MAPLE RED
	4X8-F1721-00-33	. COVER, side 2	1	1	1	1					YAMAHA BLACK
	4X8-F1721-00-66	. COVER, side 2			1	1					VERY DARK BLUE MTL



FOR 3HB7

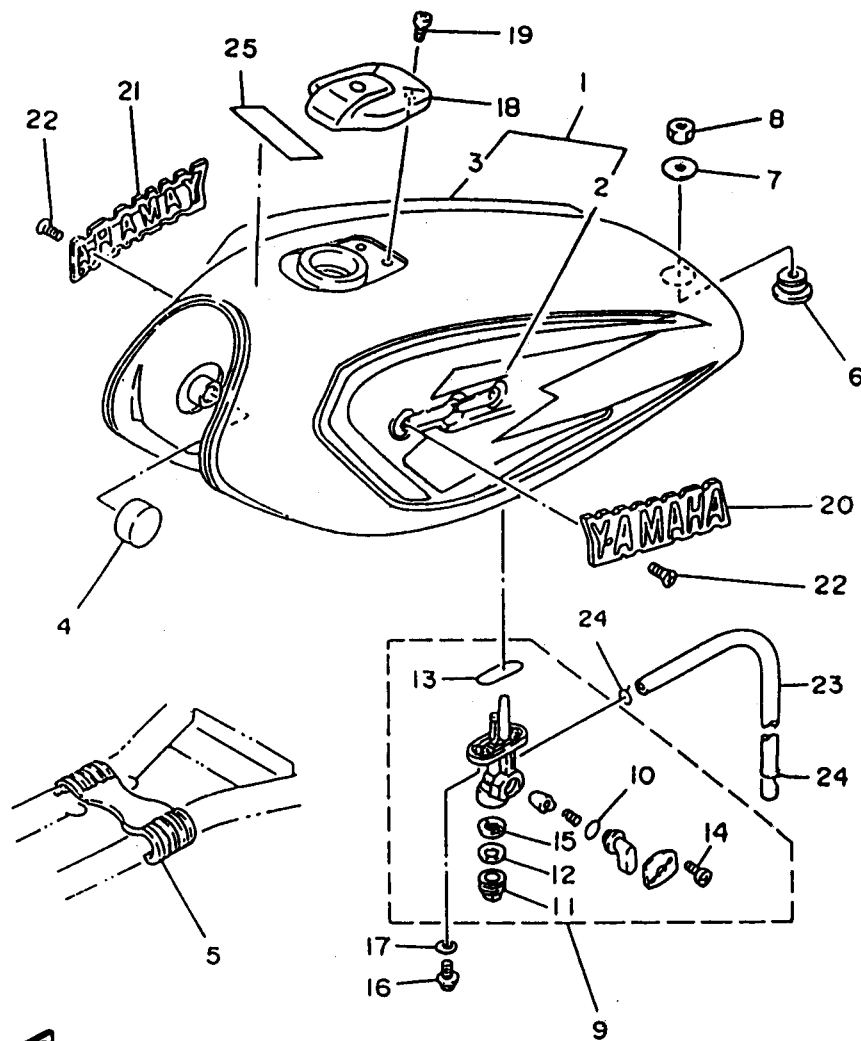
- 2 4X8-F1711-01-33 . COVER, side 1
- 4X8-F1711-01-66 . COVER, side 1
- 4X8-F1711-01-EG . COVER, side 1 (EXPORT ONLY)



ITN460-6170

FIG. 17 SIDE COVER

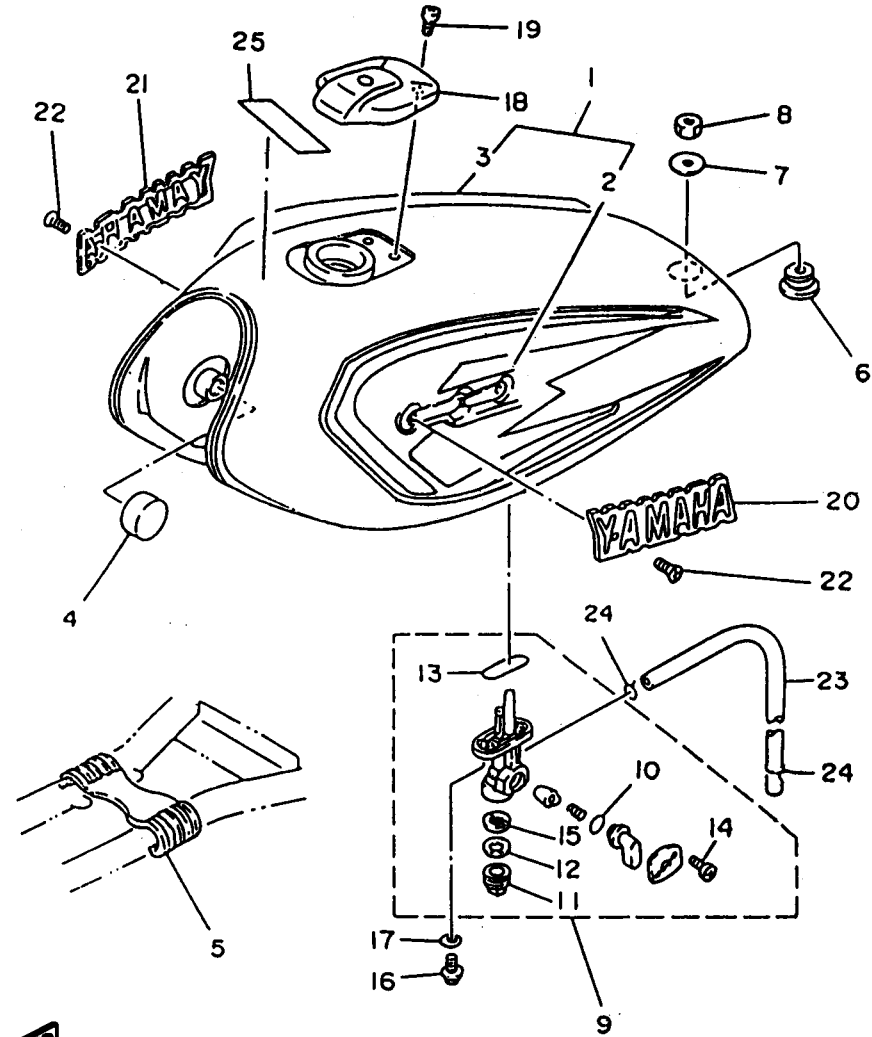
REF. NO.	PART NO.	DESCRIPTION	T Y P E							REMARKS	
			3HB5 94	3HB6 95	3HB7 96	3HB7 97					
6	4X8-F1721-00-EG	. COVER, side 2 (EXPORT ONLY)			1	1					MAPLE RED BLUE, graphic BLUE, graphic BLUE, graphic RED, graphic YELLOW, graphic RED grp. GREEN grp MAPLE RED
	3HB-F174H-60	. GRAPHIC 2	1								
	3HB-F174H-70	. GRAPHIC 2		1							
	3HB-F174H-80	. GRAPHIC 2			1						
	3HB-F174H-90	. GRAPHIC 2			1						
	3HB-F174H-A0	. GRAPHIC 2 (EXPORT ONLY)			1						
	3HB-F174H-F0	. GRAPHIC 2				1					
	3HB-F174H-E0	. GRAPHIC 2				1					
	3HB-F174H-G0	. GRAPHIC 2 (EXPORT ONLY)				1					
7	90480-12053	GROMMET	4	4	4	4					
8	90201-06380	WASHER, plate	2	2	2	2					
9	90146-06011	SCREW, oval fillister	1	1	1	1					
10	90179-06264	NUT	1	1	1	1					
11	98507-06016	SCREW, pan head	1	1	1	1					
12	37J-21781-10	EMBLEM 1	1	1	1	1				FOR RED	
		* EMBLEM 1									
13	37J-21782-10	EMBLEM 1	1	1	1	1				FOR RED	
		* EMBLEM 1									
14	90183-04012	NUT, spring	4	4	4	4					
15	4X8-2176G-00	PANEL, level gauge	1	1	1	1					
16	5T4-F8179-00	EMBLEM, caution battery	1	1	1	1				ENGLISH LANGUAGE	
	3M5-F8179-11	EMBLEM, caution battery (EXPORT)			1						



ITN460-6220

FIG. 22 FUEL TANK

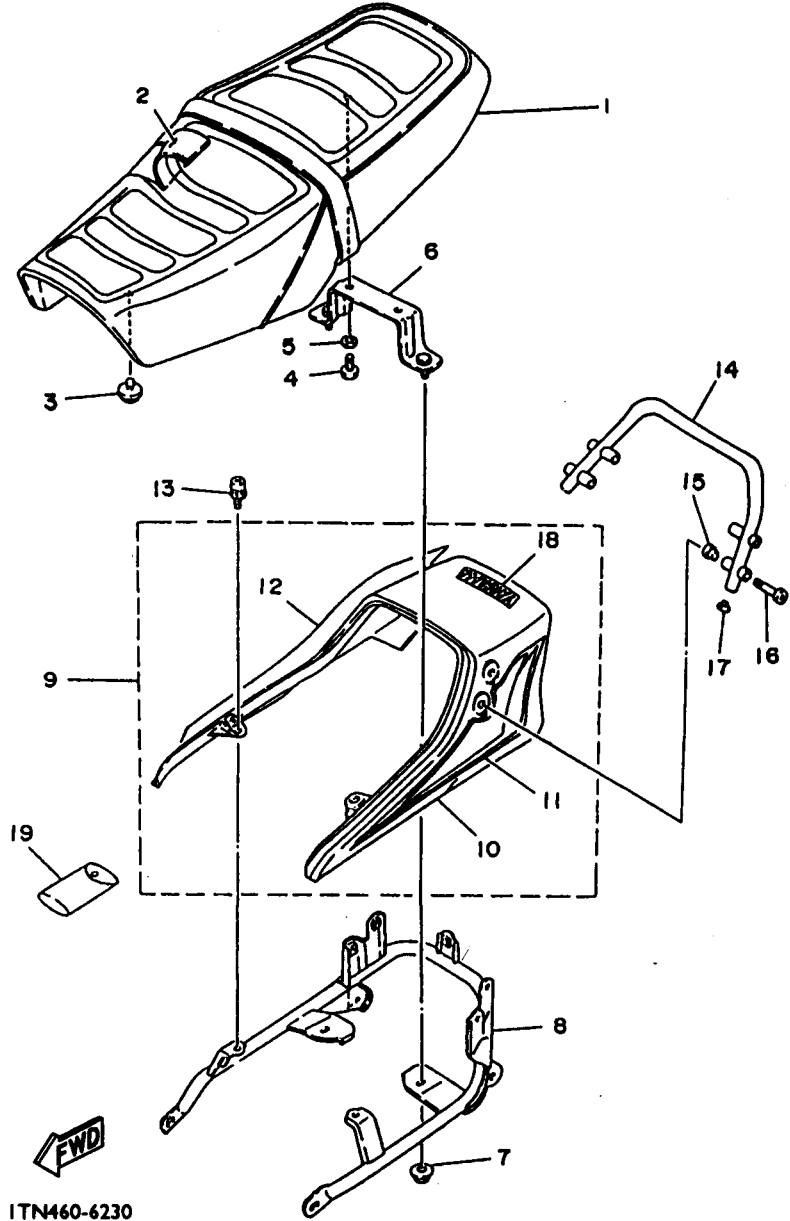
REF. NO.	PART NO.	DESCRIPTION	T Y P E							REMARKS			
			3HB5 94	3HB6 95	3HB7 96	3HB7 97							
1	3HB-F4110-A4-33	FUEL TANK COMP.	1									BLUE, graphic	
	3HB-F4110-A5-33	FUEL TANK COMP.		1								BLUE, graphic	
	3HB-F4100-10-66	FUEL TANK COMP.			1							BLUE, graphic	
	3HB-F4100-20-33	FUEL TANK COMP.			1							RED, graphic	
	3HB-F4100-00-EG	FUEL TANK COMP. (EXPORT ONLY)			1								YELLOW, graphic
	3HB-F4100-30-33	FUEL TANK COMP. <i>Tanque Negro</i>				1							YB.RED graphic
	3HB-F4100-20-66	FUEL TANK COMP.				1							VDBM3.GREEN
	3HB-F4100-10-EG	FUEL TANK COMP. (EXPORT ONLY)				1						MAPLE RED	
2	3HB-F4246-70	. GRAPHIC 1	1									BLUE, graphic	
	3HB-F4246-80	. GRAPHIC 1		1								BLUE, graphic	
	3HB-F4246-90	. GRAPHIC 1			1							BLUE, graphic	
	3HB-F4246-A0	. GRAPHIC 1			1							RED, graphic	
	3HB-F4246-C0	. GRAPHIC 1 (EXPORT ONLY)			1								YELLOW, graphic
	3HB-F4246-F0	. GRAPHIC 1				1							RED graphic
	3HB-F4246-E0	. GRAPHIC 1				1							GREEN graphic
	3HB-F4246-G0	. GRAPHIC 1 (EXPORT ONLY)				1						MR	
3	3HB-F4247-70	. GRAPHIC 2	1									BLUE, graphic	
	3HB-F4247-80	. GRAPHIC 2		1								BLUE, graphic	
	3HB-F4247-90	. GRAPHIC 2			1							BLUE, graphic	
	3HB-F4247-A0	. GRAPHIC 2			1							RED, graphic	
	3HB-F4247-C0	. GRAPHIC 2 (EXPORT ONLY)			1								YELLOW, graphic
	3HB-F4247-F0	. GRAPHIC 2				1							RED, graphic
	3HB-F4247-E0	. GRAPHIC 2				1							GREEN, graphic
	3HB-F4247-G0	. GRAPHIC 2 (EXPORT ONLY)				1						MR	
4	122-24181-00	DAMPER, locating 1	2	2	2	2							
5	3M5-24182-01	DAMPER, locating 2	1	1	1	1							
6	90480-25189	GROMMET	1	1	1	1							
7	90201-08612	WASHER, plate	1	1	1	1							
8	95307-08600	NUT	1	1	1	1							
9	5T5-F4500-V1	FUEL COCK ASSY 1	1	1									



ITN460-6220

FIG. 22 FUEL TANK

REF. NO.	PART NO.	DESCRIPTION	T Y P E								REMARKS	
			3HB5 94	3HB6 95	3HB7 96	3HB7 97						
	29N-F4500-V0	FUEL COCK ASSY 1			1	1						
	4X8-24500-02	FUEL COCK ASSY 1 (EXPORT ONLY)		1	1	1						
10	4X8-24534-V0	. SEAL, cock	1	1	1	1						
11	5T5-F4521-V0	. CUP, filter	1	1	1	1						
12	4X8-24565-00	. GASKET	1	1	1	1						
13	4X8-24512-V0	. GASKET	1	1	1	1						
14	4X8-24535-V0	. SCREW, lever fitting	2	2	2	2						
15	4X8-24515-V0	. NET, filter 2	1	1	1	1						
16	90149-06011	SCREW	2	2	2	2						
17	90202-06010	WASHER, plate	2	2	2	2						
18	5T4-F4650-V0	CAP ASSY	1	1	1	1						
19	98507-05010	SCREW, pan head	2	2	2	2						
20	4X8-24161-00	EMBLEM 1	1	1	1	1						
21	4X8-24162-00	EMBLEM 2	1	1	1	1						
22	90152-04006	SCREW, countersunk	4	4	4	4						
23	90445-09082	HOSE	1	1	1	1						
24	90467-08003	CLIP	2	2	2	2						
25	3HP-21568-00	LABEL WARNING (EXPORT ONLY)	1	1	1	1						



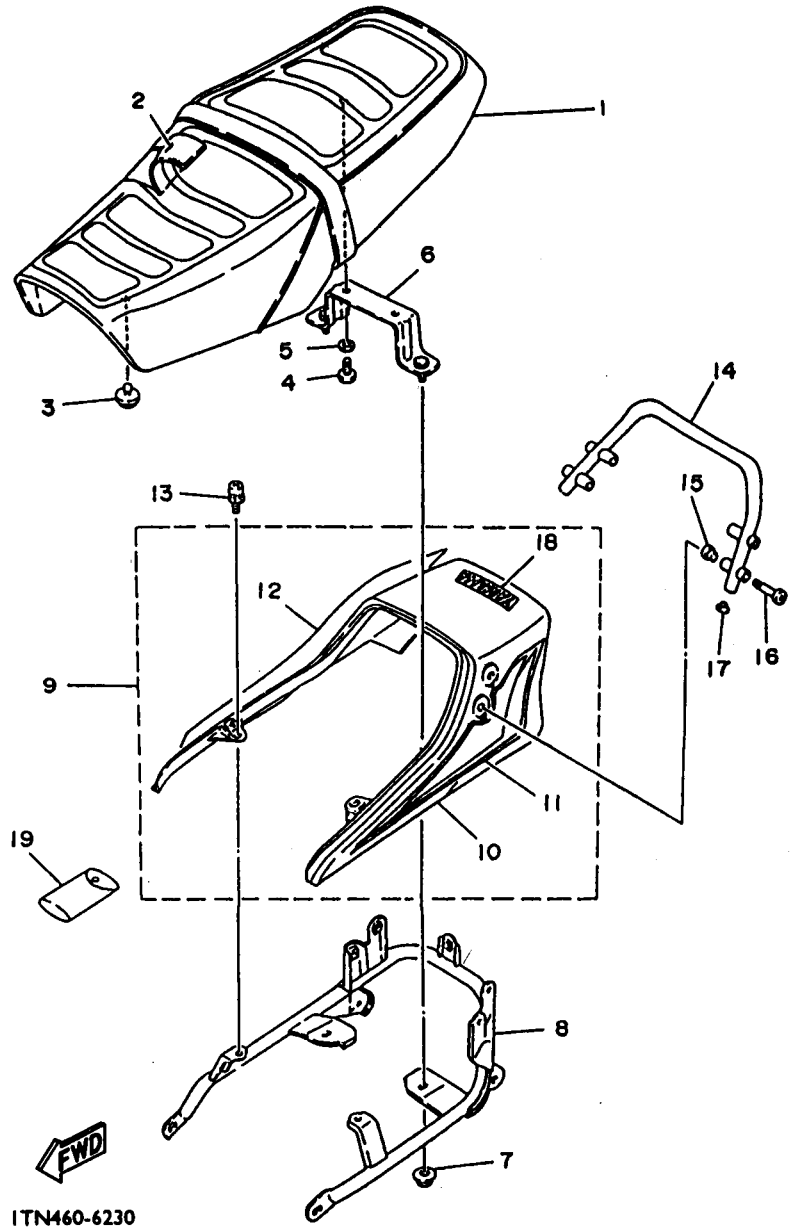
1TN460-6230

FIG. 23 SEAT

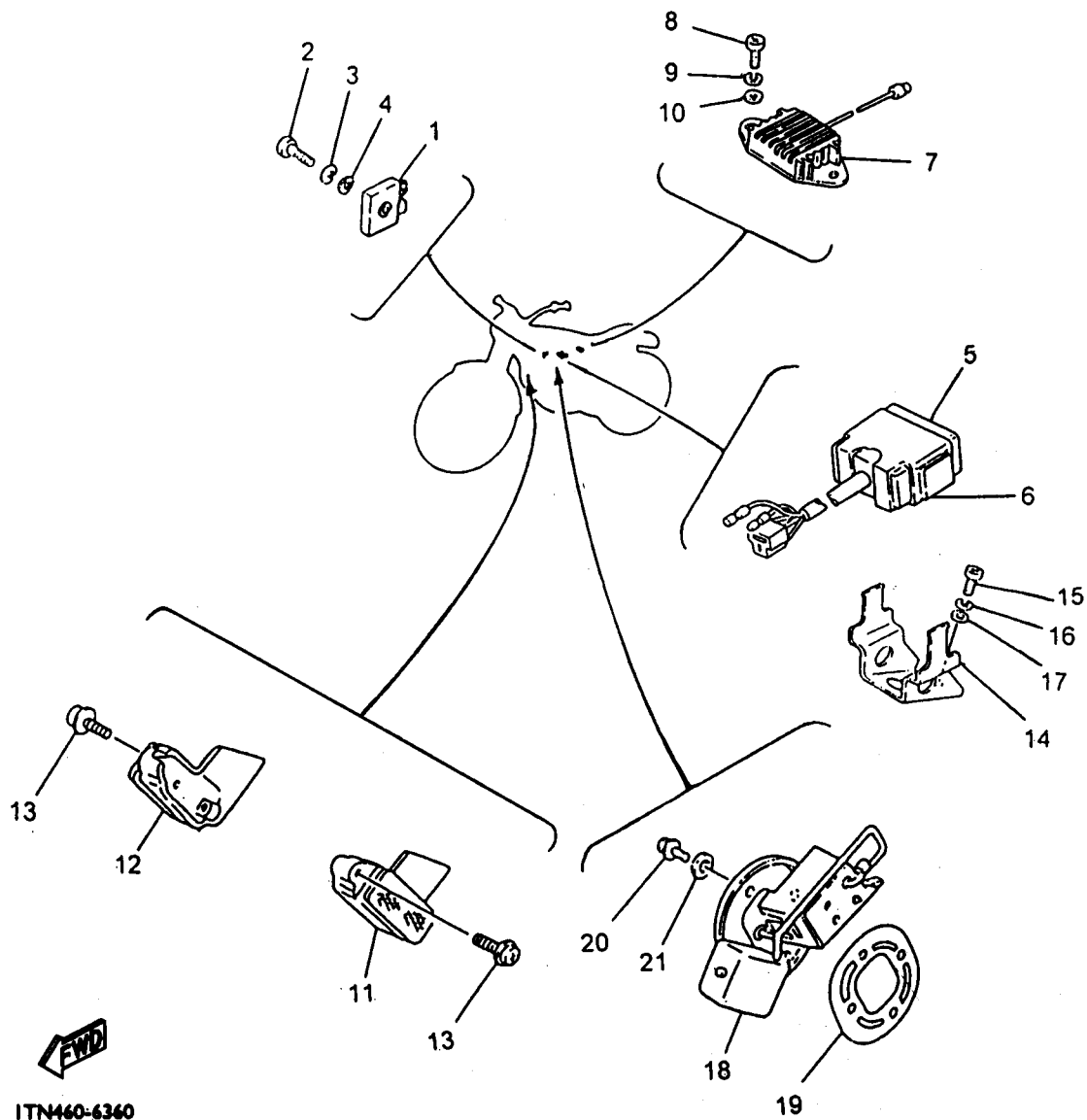
REF. NO.	PART NO.	DESCRIPTION	T Y P E								REMARKS		
			3HB5 94	3HB6 95	3HB7 96	3HB7 97							
1	3HB-F4730-40	DOUBLE SEAT ASSY	1	1	1	1							BLACK
2	3HB-F470F-40	. COVER, seat	1	1	1	1							
3	527-F4741-10	. PAD, seat	4	4	4	4							
4	97507-08414	. BOLT, hexagon head with washer	2	2	2	2							
5	*	. WASHER, spring											
6	37J-F4716-00-33	. STAY, rear	1	1	1	1							YAMAHA BLACK
7	97507-08500	. NUT, flange	2	2	2	2							
8	37J-F474A-00-33	ASSIT, grip	1	1	1	1							YAMAHA BLACK
9	3HB-F4750-40	COVER TAIL ASSY (KIT)	1										BLUE, graphic
	3HB-F4750-50	COVER TAIL ASSY (KIT)		1									BLUE, graphic
	3HB-F4750-80-66	COVER TAIL ASSY (KIT)			1								BLUE, graphic
	3HB-F4750-60	COVER TAIL ASSY (KIT)			1								RED, graphic
	3HB-F4750-00-EG	COVER TAIL ASSY (KIT) EXPORT			1								YELLOW, graphic
	3HB-F4750-70	COVER TAIL ASSY (KIT)				1							YB.RED GRP
	3HB-F4750-90-66	COVER TAIL ASSY (KIT)				1							VDBM3.GREEN
	3HB-F4750-10-EG	COVER TAIL ASSY (KIT) EXPORT				1							MAPLE RED
10	37J-F4756-00-33	. COVER, tail	1	1	1	1							YAMAHA BLACK
	37J-F4756-00-66	. COVER, tail			1	1							VERY DARK BLUE MTL
	37J-F4756-00-EG	. COVER, tail (EXPORT ONLY)			1	1							MAPLE RED
11	3HB-F477V-60	. GRAPHIC 1	1										BLUE, graphic
	3HB-F477V-70	. GRAPHIC 1		1									BLUE, graphic
	3HB-F477V-80	. GRAPHIC 1			1								BLUE, graphic
	3HB-F477V-90	. GRAPHIC 1			1								RED, graphic
	3HB-F477V-A0	. GRAPHIC 1 (EXPORT ONLY)			1								YELLOW, GRAPHIC
	3HB-F477V-F0	. GRAPHIC 1				1							RED GRP
	3HB-F477V-E0	. GRAPHIC 1				1							GREEN GRP
	3HB-F477V-G0	. GRAPHIC 1 (EXPORT ONLY)				1							MR
12	3HB-F477W-60	. GRAPHIC 2	1										BLUE, graphic
	3HB-F477W-70	. GRAPHIC 2		1									BLUE, graphic
	3HB-F477W-80	. GRAPHIC 2			1								BLUE, graphic

Continuar

Regresar



ITN460-6230




ITN460-6360

FIG. 36 ELECTRICAL 1

REF. NO.	PART NO.	DESCRIPTION	T Y P E								REMARKS	
			3HB5 94	3HB6 95	3HB7 96	3HB7 97						
1	5T5-H1970-V0	RECTIFIER ASSY	1	1	1	1						
2	97607-05220	SCREW, pan head with washer	1	1	1	1						
3	*	WASHER, spring										
4	*	WASHER, plate										
5	4DE-H5540-00	C.D.I. UNIT ASSY	1	1	1	1						
6	37J-85548-00	BAND	1	1	1	1						
7	54N-H1910-V0	VOLTAGE REGULATOR ASSY	1	1	1	1						
8	97607-06214	SCREW, pan head with washer	2	2	2	2						
9	*	WASHER, spring										
10	*	WASHER, plate										
11	5T4-H5110-V0	FRONT REFLECTOR ASSY 1	1	1	1	1						
12	5T4-H5120-V0	FRONT REFLECTOR ASSY 2	1	1	1	1						
13	90159-04053	SCREW, with washer	4	4	4	4						
14	37J-21274-00	BRACKET, c.d.i unit	1	1	1	1						
15	97607-06210	SCREW, pan head with washer	1	1	1	1						
16	*	WASHER, spring										
17	*	WASHER, plate										
18	3KA-85752-00	SENDER			1	1						
19	2H7-85753-00	GASKET			1	1						
20	95807-06014	BOLT, flange			4	4						
21	90202-05193	WASHER, plain			4	4						