



PARTS CATALOGUE

AT115C (5MX6) INDONESIA



1D5MX-460E1

()

AT115C
PARTS CATALOGUE
©2004 by Yamaha Motor Co., Ltd.
1st edition, December 2004
All rights reserved.
Any reprinting or unauthorized use
without the written permission of
Yamaha Motor Co., Ltd.
is expressly prohibited.
Printed in Japan.

FOREWORD

This Parts Catalogue is related to the parts for the model(s) on the cover page. When you are ordering replacement parts, please refer to this Parts Catalogue and quote both part numbers and part names correctly.

1. Modifications or additions which have been made after the issue of the Parts Catalogue will be announced in the Parts News.

It is advisable that you make the necessary corrections to the Parts Catalogue according to the Parts News.

2. Abbreviations

The following abbreviations are used in this Parts Catalogue.

“UR” Use specified parts number.

“UN” Use as many as needed.

“AP” Alternate Parts

“LM” Locally Made (Parts need to be ordered locally)

“F#” Frame No. (Applicable machine No.)

“O/S” Over Size

3. The number of components for assembly

- Parts, which are to be supplied in an assembly, are listed with a dot (.) in front of the part name as shown below.
- The numeral appearing to the right of each component part indicates the quantity of parts for each assembly unit.

| PART NO. | DESCRIPTION | Q'TY | REMARKS |
|--------------|--------------------------|------|---------|
| 2F5-83310-60 | FRONT FLASHER LIGHT ASSY | 2 | |
| 115-83311-60 | .BULB (6V-18W) | 1 | |

4. Applicable colours of graphics are represented in the “REMARKS” as shown below.

| PART NO. | DESCRIPTION | Q'TY | REMARKS |
|-----------------|---------------------|------|---------|
| 2N4-24110-00-X5 | FUEL TANK COMP. | 2 | MXR |
| 3J1-24240-10 | .GRAPHIC, FUEL TANK | 1 | FOR MXR |

5. Note that the illustrations for reference in finding parts numbers are not to be used for assembling. When assembling, please use the applicable service manual.

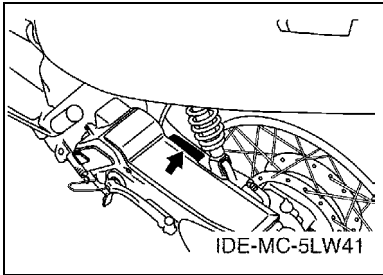
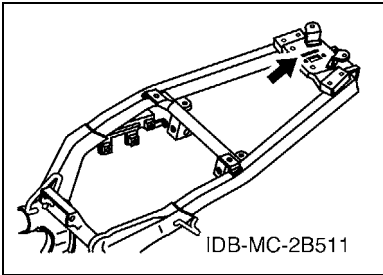
6. The asterisk (*) before a reference number indicates modified items after the first edition.

FOREWORD

7. Applicable Serial No.

Frame Serial No.

Engine Serial No.



8. Applicable Colour Code (The (*) mark shows Model colour.)

| Abbreviation | Colour Name | Colour Code |
|--------------|-------------------------------|-------------|
| DPBMC(*) | DEEP PURPLISH BLUE METALLIC C | 0564 |
| S3 | SILVER 3 | 0791 |
| SL | SILVER | 0035 |
| VRC1(*) | VIVID RED COCKTAIL 1 | 0121 |
| YB(*) | YAMAHA BLACK | 0033 |
| | | |
| | | |
| | | |
| | | |
| | | |

9. Applicable Starting Serial No.

Frame Serial No.

| Serial No. | Name Of Q'ty Column | Model Code |
|------------|---------------------|------------|
| | | |
| | | |
| | | |
| | | |
| | | |

Engine Serial No.

| Serial No. | Name Of Q'ty Column | Model Code |
|------------|---------------------|------------|
| | | |
| | | |
| | | |
| | | |
| | | |

CONTENTS

ENGINE

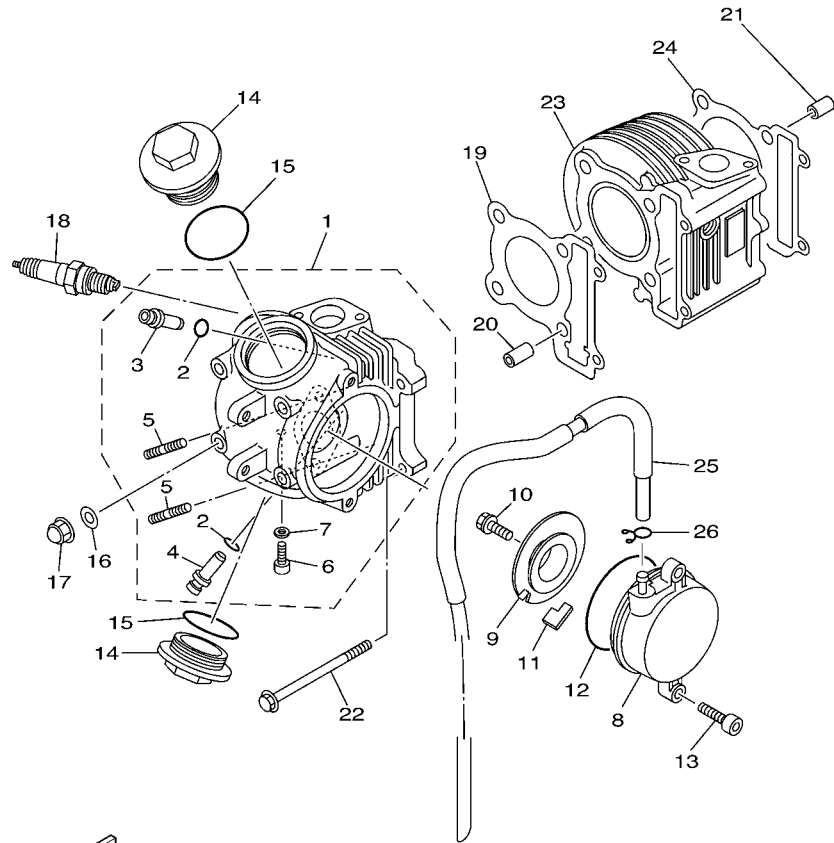
| | |
|---------------------------|----|
| CYLINDER | 1 |
| CRANKSHAFT & PISTON | 2 |
| VALVE | 3 |
| CAMSHAFT & CHAIN | 4 |
| OIL PUMP | 5 |
| AIR SHROUD & FAN | 6 |
| INTAKE | 7 |
| CARBURETOR | 8 |
| EXHAUST | 10 |
| CRANKCASE | 11 |
| CRANKCASE COVER 1 | 13 |
| STARTER | 15 |
| CLUTCH | 16 |
| TRANSMISSION | 18 |

CHASSIS

| | |
|-------------------------------|----|
| FRAME | 19 |
| FENDER | 20 |
| SIDE COVER | 21 |
| REAR ARM & SUSPENSION | 23 |
| STEERING | 24 |
| FUEL TANK | 26 |
| SEAT | 27 |
| FRONT WHEEL | 28 |
| FRONT BRAKE CALIPER | 29 |
| REAR WHEEL | 30 |
| STEERING HANDLE & CABLE | 31 |
| FRONT MASTER CYLINDER | 33 |
| STAND & FOOTREST | 34 |
| LEG SHIELD | 36 |
| GENERATOR | 38 |
| STARTING MOTOR | 39 |
| METER | 40 |
| HEADLIGHT | 41 |
| TAILLIGHT | 42 |
| HANDLE SWITCH & LEVER | 43 |
| ELECTRICAL 1 | 44 |
| ELECTRICAL 2 | 45 |

INDEX

| | |
|-----------------------|----|
| NUMERICAL INDEX | 46 |
|-----------------------|----|



5MX2460-C010

FIG. 1 CYLINDER

| REF. NO. | PART NO. | DESCRIPTION | 5MX6 | | | | REMARKS |
|----------|--------------|-----------------------------|------|--|--|--|---------|
| 1 | 5MX-E1102-00 | CYLINDER HEAD ASSY | 1 | | | | |
| 2 | 93210-09800 | .O-RING | 2 | | | | |
| 3 | 5LW-11133-10 | .GUIDE, VALVE 1 | 1 | | | | |
| 4 | 5LW-11134-10 | .GUIDE, VALVE 2 | 1 | | | | |
| 5 | 90116-08806 | .BOLT, STUD | 2 | | | | |
| 6 | 90153-06803 | .SCREW, HEXAGON | 1 | | | | |
| 7 | 90430-06014 | .GASKET | 1 | | | | |
| 8 | 5LW-E1185-00 | COVER, CYLINDER HEAD SIDE 1 | 1 | | | | |
| 9 | 5LW-E1165-00 | PLATE, BREATHER | 1 | | | | |
| 10 | 5LW-E3185-00 | BOLT, BREATHER | 1 | | | | |
| 11 | 5LW-E1155-00 | SEAL, LABYRINTH | 1 | | | | |
| 12 | 93210-71462 | O-RING | 1 | | | | |
| 13 | 91317-06020 | BOLT | 2 | | | | |
| 14 | 4ST-E1186-00 | COVER, CYLINDER HEAD SIDE 2 | 2 | | | | |
| 15 | 93210-448G4 | O-RING | 2 | | | | |
| 16 | 90201-08609 | WASHER, PLATE | 4 | | | | |
| 17 | 90176-08805 | NUT, CROWN | 4 | | | | |
| 18 | 94700-00846 | PLUG, SPARK (NGK CR7HSA) | 1 | | | | |
| 19 | 5LW-E1181-00 | GASKET, CYLINDER HEAD 1 | 1 | | | | |
| 20 | 99530-10114 | PIN, DOWEL | 2 | | | | |
| 21 | 99530-10114 | PIN, DOWEL | 2 | | | | |
| 22 | 95027-06100 | BOLT, FLANGE | 2 | | | | |
| 23 | 5LW-E1310-00 | CYLINDER | 1 | | | | |
| 24 | 5MX-E1351-00 | GASKET, CYLINDER | 1 | | | | |
| 25 | 5LW-E4987-00 | HOSE | 1 | | | | |
| 26 | 90467-09006 | CLIP | 1 | | | | |

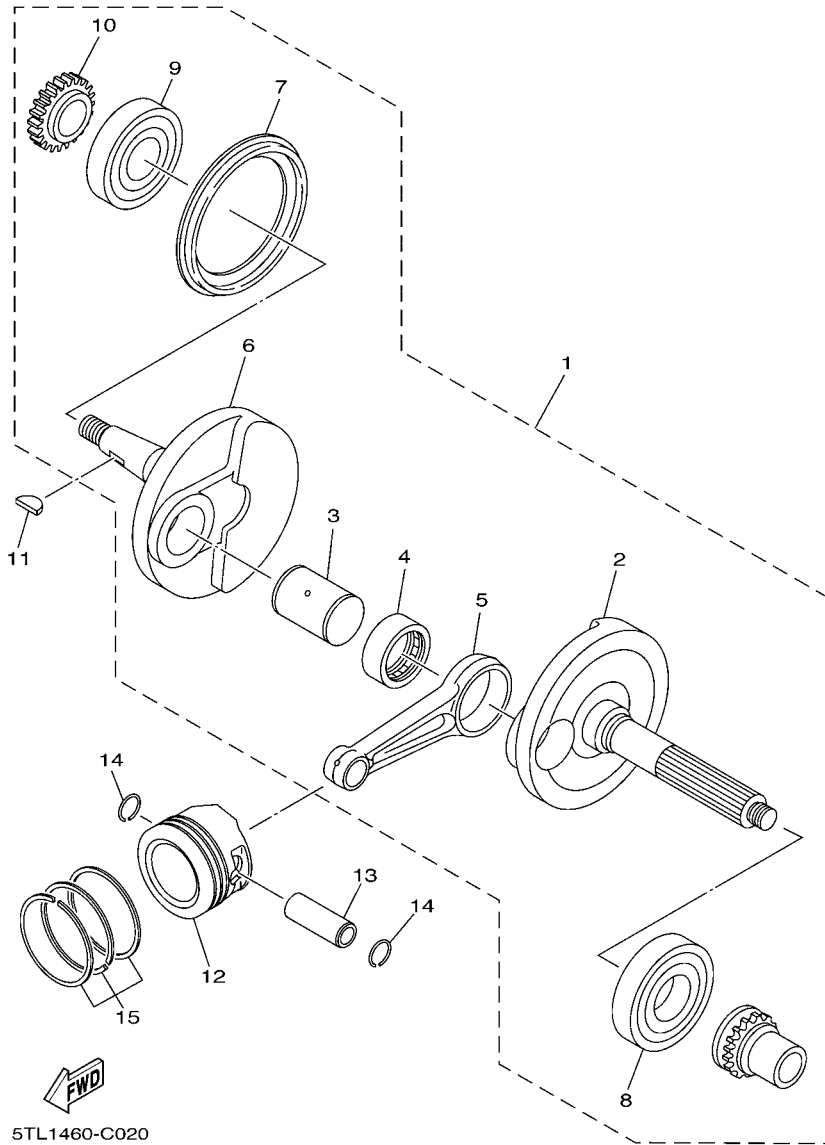
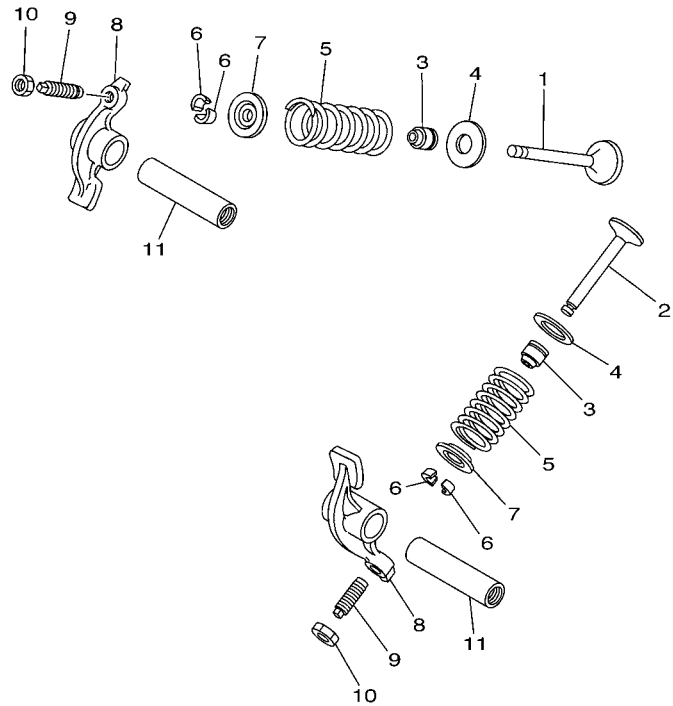


FIG. 2 CRANKSHAFT & PISTON

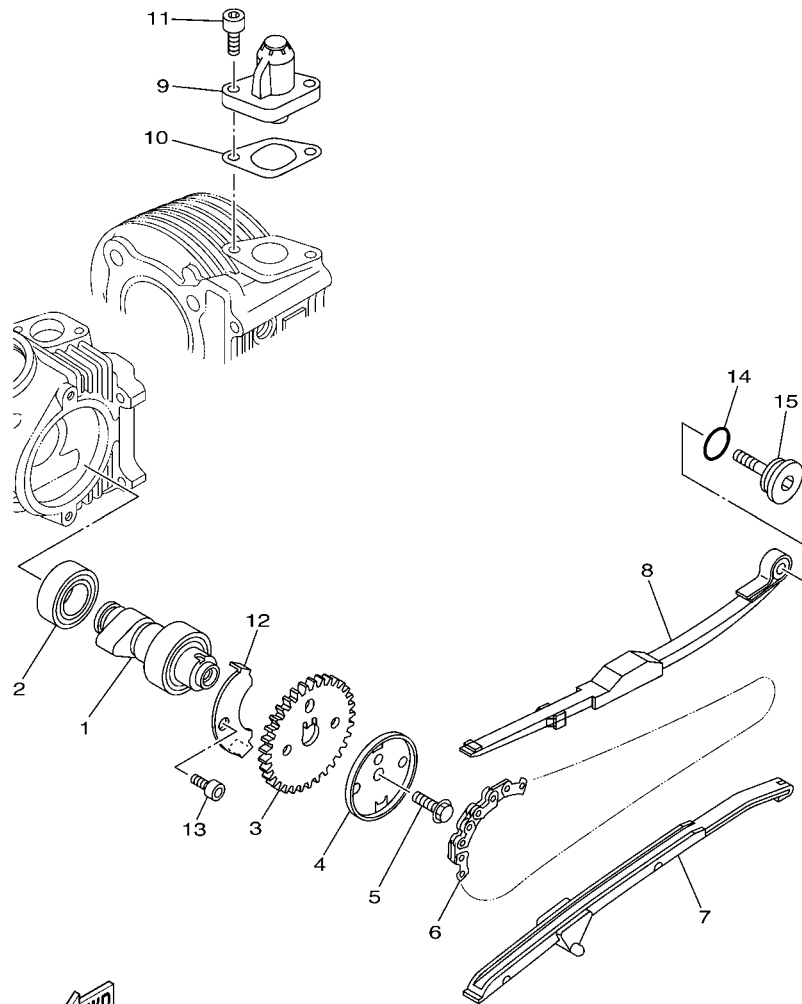
| REF. NO. | PART NO. | DESCRIPTION | 5MX6 | | | | REMARKS |
|----------|--------------|------------------------------|------|--|--|--|---------|
| 1 | 5TL-E1400-10 | CRANKSHAFT ASSY | 1 | | | | |
| 2 | 5TL-E1412-10 | .CRANK 1 | 1 | | | | |
| 3 | 5MX-E1681-10 | .PIN, CRANK 1 | 1 | | | | |
| 4 | 93310-528Y8 | .BEARING | 1 | | | | |
| 5 | 5MX-E1651-01 | .ROD, CONNECTING | 1 | | | | |
| 6 | 5TL-E1422-10 | .CRANK 2 | 1 | | | | |
| 7 | 5LW-E3452-00 | .COVER, ROTOR FILTER | 1 | | | | |
| 8 | 93306-305X3 | .BEARING | 1 | | | | |
| 9 | 93306-372Y2 | .BEARING | 1 | | | | |
| 10 | 5TL-E3324-00 | .GEAR, PUMP DRIVE | 1 | | | | |
| 11 | 90280-03017 | KEY, WOODRUFF | 1 | | | | |
| 12 | 5MX-E1631-00 | PISTON (STD) | 1 | | | | |
| | 5MX-E1636-00 | PISTON (0.50MM O/S) | 1 | | | | AP |
| | 5MX-E1638-00 | PISTON (1.00MM O/S) | 1 | | | | AP |
| 13 | 5MX-E1633-10 | PIN, PISTON | 1 | | | | |
| 14 | 93450-16068 | CIRCLIP | 2 | | | | |
| 15 | 5MX-E1603-00 | PISTON RING SET (STD) | 1 | | | | |
| | 5MX-E1605-00 | PISTON RING SET (0.50MM O/S) | 1 | | | | AP |
| | 5MX-E1607-00 | PISTON RING SET (1.00MM O/S) | 1 | | | | AP |



5LW1440-A031

FIG. 3 VALVE

| REF. NO. | PART NO. | DESCRIPTION | 5MX6 | | | | REMARKS |
|----------|--------------|------------------------|------|--|--|--|---------|
| 1 | 5LW-E2111-00 | VALVE, INTAKE | 1 | | | | |
| 2 | 5LW-E2121-00 | VALVE, EXHAUST | 1 | | | | |
| 3 | 5MX-E2119-00 | SEAL, VALVE STEM | 2 | | | | |
| 4 | 5MX-E2116-00 | SEAT, VALVE SPRING | 2 | | | | |
| 5 | 5MX-E2113-00 | SPRING, VALVE INNER | 2 | | | | |
| 6 | 1AA-12118-00 | COTTER, VALVE | 4 | | | | |
| 7 | 33M-12117-00 | RETAINER, VALVE SPRING | 2 | | | | |
| 8 | 22F-12151-10 | ARM, VALVE ROCKER | 2 | | | | |
| 9 | 22F-12159-00 | SCREW, VALVE ADJUSTING | 2 | | | | |
| 10 | 90170-05302 | NUT | 2 | | | | |
| 11 | 4ST-E2156-00 | SHAFT, ROCKER 2 | 2 | | | | |




 5TL1460-C041

FIG. 4 CAMSHAFT & CHAIN

| REF. NO. | PART NO. | DESCRIPTION | 5MX6 | | | | REMARKS |
|----------|---------------|---------------------------|------|--|--|--|---------|
| 1 | 5LW-E2170-10 | CAMSHAFT ASSY 1 | 1 | | | | |
| 2 | 93306-002X2 | BEARING | 1 | | | | |
| 3 | 5MX-E2176-00 | SPROCKET, CAM CHAIN | 1 | | | | |
| 4 | 5MX-E1145-00 | PLATE, BREATHER 2 | 1 | | | | |
| 5 | 95817-08016 | BOLT, FLANGE | 1 | | | | |
| 6 | 94568-A6090 | CHAIN | 1 | | | | |
| 7 | 5VV-E2231-00 | GUIDE, STOPPER 1 | 1 | | | | |
| 8 | 5MX-E2241-00 | GUIDE, STOPPER 2 | 1 | | | | |
| 9 | 5MX-E2210-00 | TENSIONER ASSY, CAM CHAIN | 1 | | | | |
| 10 | 5MX-E2213-00 | GASKET, TENSIONER CASE | 1 | | | | |
| 11 | 91317-06016 | BOLT | 2 | | | | |
| 12 | 5LW-E1111F-00 | PLATE | 1 | | | | |
| 13 | 91317-06012 | BOLT | 1 | | | | |
| 14 | 93210-15862 | O-RING | 1 | | | | |
| 15 | 4CW-E2157-00 | BOLT | 1 | | | | |

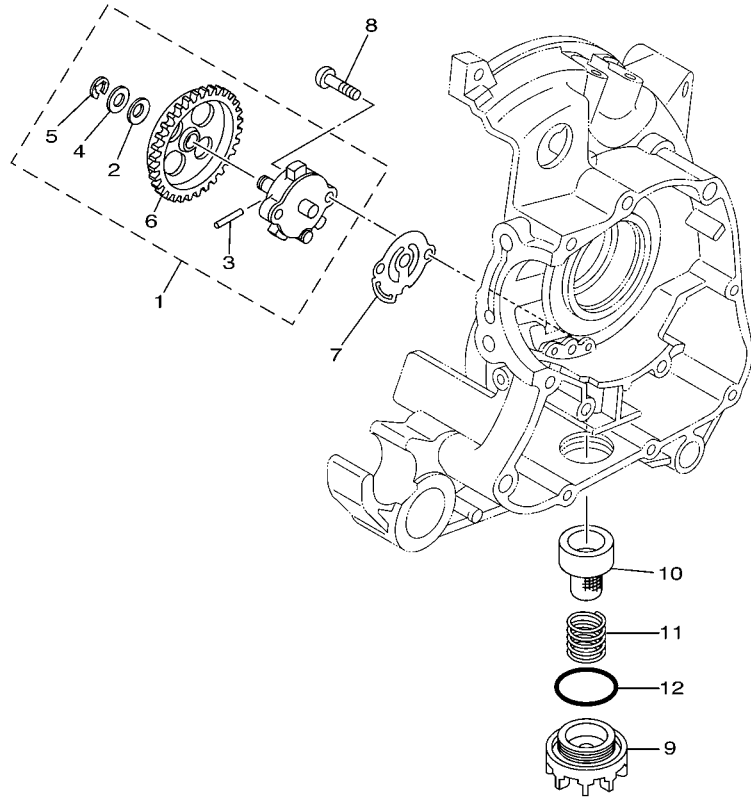
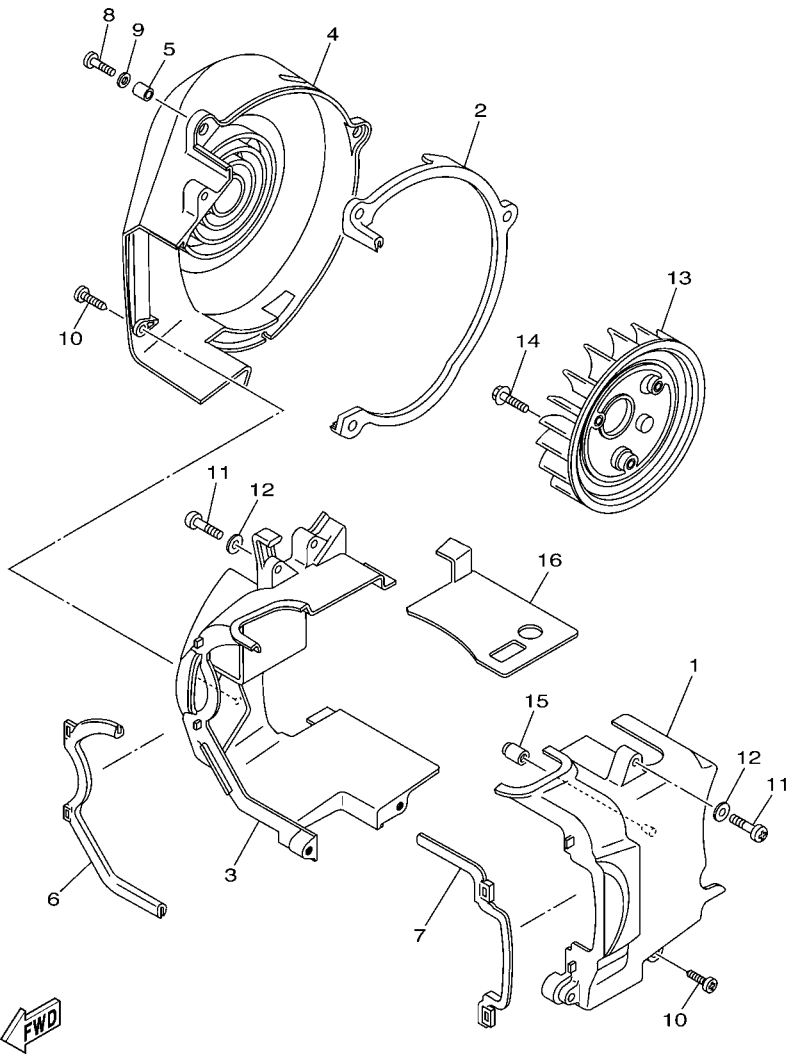


FIG. 5 OIL PUMP

| REF. NO. | PART NO. | DESCRIPTION | 5MX6 | | | | REMARKS |
|----------|--------------|-------------------------|------|--|--|--|---------|
| 1 | 5MX-E3300-10 | OIL PUMP ASSY | 1 | | | | |
| 2 | 90208-07052 | .WASHER, CONICAL SPRING | 1 | | | | |
| 3 | 93602-11144 | .PIN, DOWEL | 2 | | | | |
| 4 | 90201-077F5 | .WASHER, PLATE | 1 | | | | |
| 5 | 99001-05600 | .CIRCLIP | 1 | | | | |
| 6 | 5LW-E3325-00 | .GEAR, PUMP DRIVEN | 1 | | | | |
| 7 | 5LW-E3475-00 | GASKET | 1 | | | | |
| 8 | 98507-05020 | SCREW, PAN HEAD | 2 | | | | |
| 9 | 5LW-E5351-00 | PLUG, DRAIN | 1 | | | | |
| 10 | 5LW-E3411-00 | STRAINER, OIL | 1 | | | | |
| 11 | 90501-16004 | SPRING, COMPRESSION | 1 | | | | |
| 12 | 93210-29800 | O-RING | 1 | | | | |



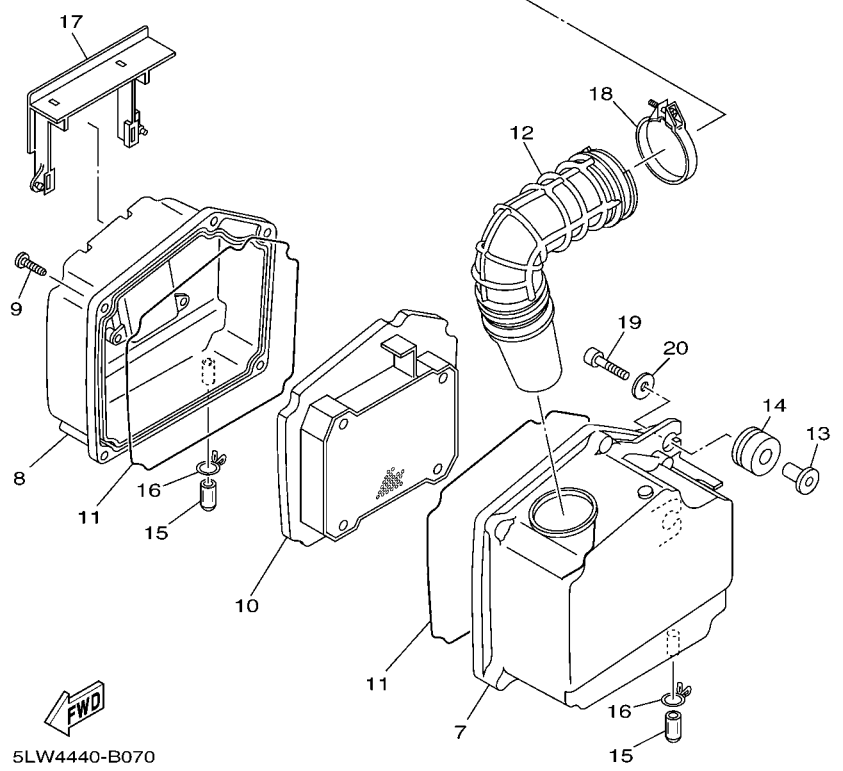
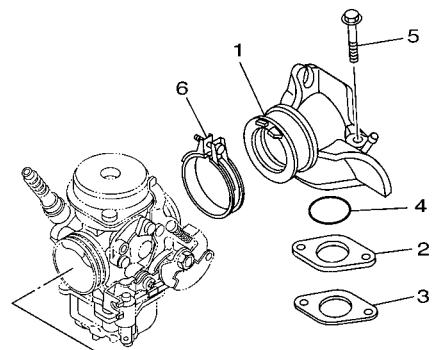
5MX3460-B050



5LW1440-A060

FIG. 6 AIR SHROUD & FAN

| REF. NO. | PART NO. | DESCRIPTION | SMX6 | | | | REMARKS |
|----------|--------------|------------------------|------|--|--|--|---------|
| 1 | 5LW-E2651-00 | AIR SHROUD, CYLINDER 1 | 1 | | | | |
| 2 | 5LW-E2658-00 | DAMPER, AIR SHROUD 1 | 1 | | | | |
| 3 | 5LW-E2652-00 | AIR SHROUD, CYLINDER 2 | 1 | | | | |
| 4 | 5LW-E2653-00 | AIR SHROUD, CYLINDER 3 | 1 | | | | |
| 5 | 90387-067V1 | COLLAR | 3 | | | | |
| 6 | 5LW-E2659-02 | DAMPER, AIR SHROUD 2 | 1 | | | | |
| 7 | 5LW-E2668-02 | DAMPER, AIR SHROUD 3 | 1 | | | | |
| 8 | 98507-06020 | SCREW, PAN HEAD | 3 | | | | |
| 9 | 92907-06600 | WASHER, PLATE | 3 | | | | |
| 10 | 97707-60530 | SCREW, TAPPING | 4 | | | | |
| 11 | 98507-06025 | SCREW, PAN HEAD | 2 | | | | |
| 12 | 92907-06600 | WASHER, PLATE | 2 | | | | |
| 13 | 5LW-E2611-00 | FAN | 1 | | | | |
| 14 | 95027-06012 | BOLT, FLANGE | 3 | | | | |
| 15 | 5LW-E3569-00 | PLUG, BLIND | 1 | | | | |
| 16 | 5LW-E2631-00 | DEFLECTOR 1 | 1 | | | | |
| | | | | | | | |
| | | | | | | | |
| | | | | | | | |
| | | | | | | | |




5LW4440-B070

FIG. 7 INTAKE

| REF. NO. | PART NO. | DESCRIPTION | 5MX6 | | | | REMARKS |
|----------|--------------|----------------------|------|--|--|--|---------|
| 1 | 5LW-E3585-00 | MANIFOLD | 1 | | | | |
| 2 | 5MX-E3595-10 | JOINT | 1 | | | | |
| 3 | 5MX-E3556-10 | GASKET, MANIFOLD | 1 | | | | |
| 4 | 93210-25803 | O-RING | 1 | | | | |
| 5 | 95817-06050 | BOLT, FLANGE | 2 | | | | |
| 6 | 5MX-E3474-01 | BAND | 1 | | | | |
| 7 | 5LW-E4411-01 | CASE, AIR CLEANER 1 | 1 | | | | |
| 8 | 5LW-E4412-00 | CAP, CLEANER CASE 1 | 1 | | | | |
| 9 | 9770N-50525 | SCREW, TAPPING | 5 | | | | |
| 10 | 5LW-E4451-00 | ELEMENT, AIR CLEANER | 1 | | | | |
| 11 | 5LW-E4452-00 | SEAL | 2 | | | | |
| 12 | 5LW-E4453-00 | JOINT, AIR CLEANER 1 | 1 | | | | |
| 13 | 5LW-E4449-00 | COLLAR | 2 | | | | |
| 14 | 5LW-E4435-00 | GROMMET | 2 | | | | |
| 15 | 5LW-E443E-00 | PIPE, DRAIN | 2 | | | | |
| 16 | 90467-12800 | CLIP | 2 | | | | |
| 17 | 5LW-E4417-00 | COVER 1 | 1 | | | | |
| 18 | 5MX-E3575-01 | BAND | 1 | | | | |
| 19 | 91317-06035 | BOLT | 2 | | | | |
| 20 | 90201-06063 | WASHER, PLATE | 2 | | | | |

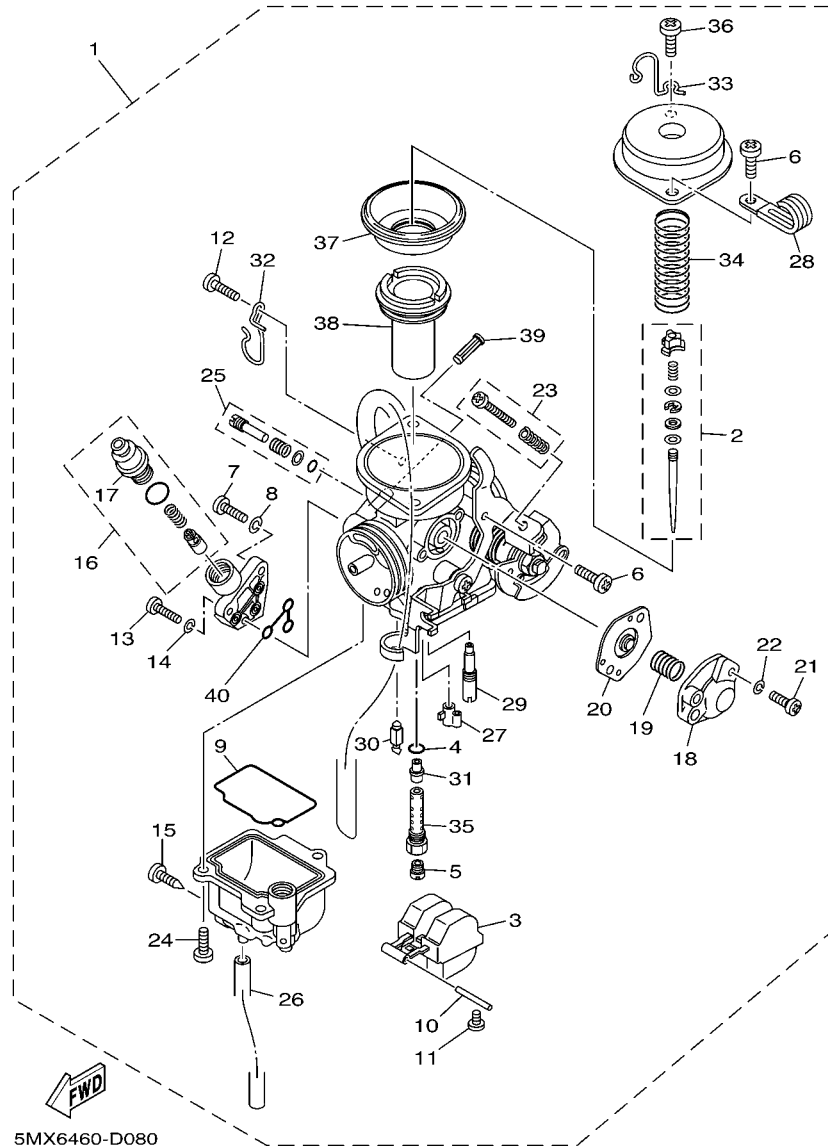
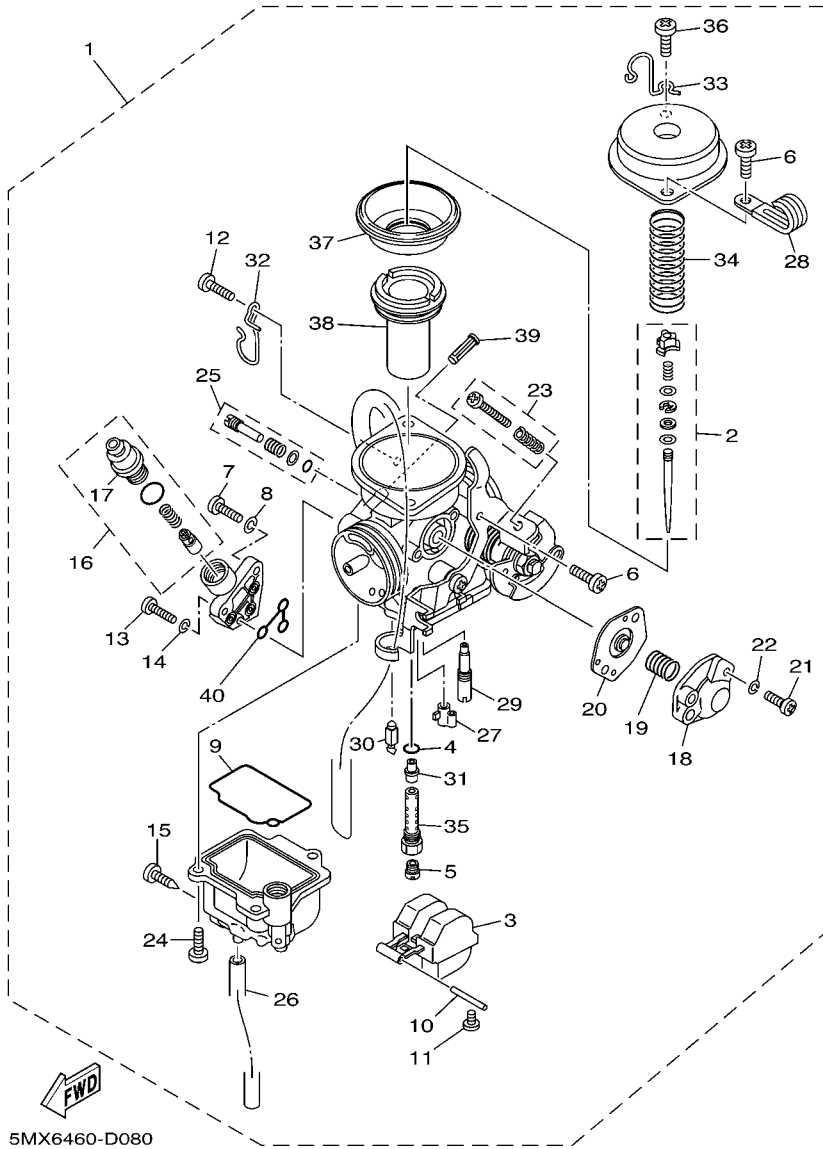


FIG. 8 CARBURETOR

| REF. NO. | PART NO. | DESCRIPTION | 5MX6 | | | | REMARKS |
|----------|--------------|---------------------|------|--|--|--|---------|
| 1 | 5MX-E4901-10 | CARBURETOR ASSY 1 | 1 | | | | |
| 2 | 5LW-1490J-00 | .NEEDLE SET | 1 | | | | |
| 3 | 5HK-14985-00 | .FLOAT | 1 | | | | |
| 4 | 583-14561-00 | .O-RING | 1 | | | | |
| 5 | 3G2-1414A-71 | .JET, MAIN (#102.5) | 1 | | | | |
| 6 | 98507-05010 | .SCREW, PAN HEAD | 2 | | | | |
| 7 | 98507-05012 | .SCREW, PAN HEAD | 2 | | | | |
| 8 | 92902-05100 | .WASHER, SPRING | 2 | | | | |
| 9 | 5HK-14147-00 | .O-RING | 1 | | | | |
| 10 | 353-14186-00 | .PIN, FLOAT | 1 | | | | |
| 11 | 98507-04008 | .SCREW, PAN HEAD | 1 | | | | |
| 12 | 4SV-24453-00 | .SCREW | 1 | | | | |
| 13 | 98507-04018 | .SCREW, PAN HEAD | 1 | | | | |
| 14 | 92907-04100 | .WASHER, SPRING | 1 | | | | |
| 15 | 5LW-14191-00 | .PLUG, DRAIN | 1 | | | | |
| 16 | 5MY-1410A-00 | .STARTER SET | 1 | | | | |
| 17 | 3RW-14174-00 | .CAP, PLUNGER | 1 | | | | |
| 18 | 5AP-14280-00 | .COVER, CARBURETOR | 1 | | | | |
| 19 | 5HK-14275-00 | .SPRING | 1 | | | | |
| 20 | 5AP-14940-00 | .DIAPHRAGM ASSY | 1 | | | | |
| 21 | 98507-04014 | .SCREW, PAN HEAD | 2 | | | | |
| 22 | 92907-04100 | .WASHER, SPRING | 2 | | | | |
| 23 | 5LW-14103-00 | .THROTTLE SCREW SET | 1 | | | | |
| 24 | 98507-04010 | .SCREW, PAN HEAD | 3 | | | | |
| 25 | 5LW-14105-00 | .PILOT SCREW SET | 1 | | | | |
| 26 | 3L7-14197-00 | .PIPE | 1 | | | | |
| 27 | 4JG-14261-00 | .HOLDER | 1 | | | | |

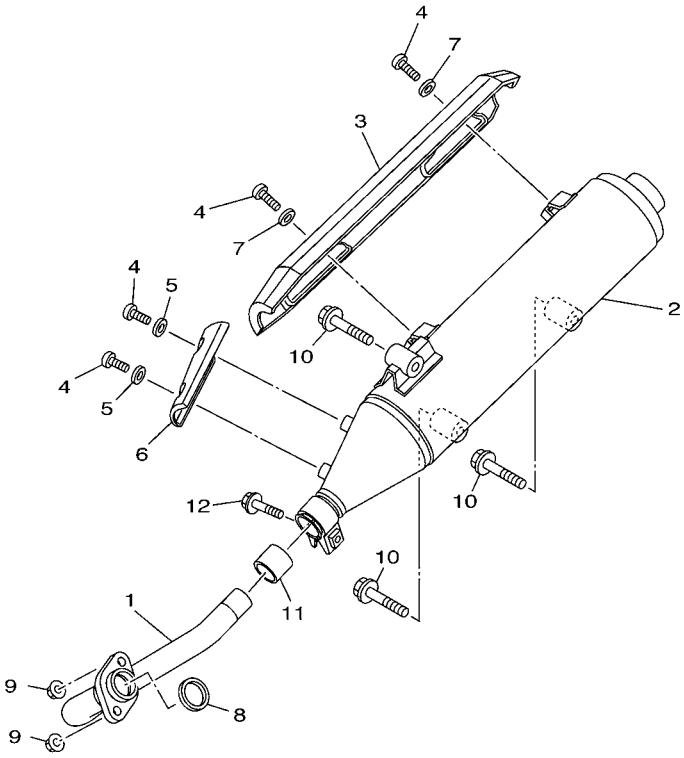


5MX6460-D080

FIG. 8 CARBURETOR

| REF. NO. | PART NO. | DESCRIPTION | 5MX6 | | | | REMARKS |
|----------|--------------|----------------------|------|--|--|--|---------|
| 28 | 3UH-14146-00 | .PLATE | 1 | | | | |
| 29 | 5LW-14142-17 | .JET, PILOT (# 17.5) | 1 | | | | |
| 30 | 5LW-14150-00 | .NEEDLE ASSY | 1 | | | | |
| 31 | 5LW-14141-13 | .NOZZLE, MAIN | 1 | | | | |
| 32 | 5LW-14919-00 | .CLIP | 1 | | | | |
| 33 | 5LW-14919-10 | .CLIP | 1 | | | | |
| 34 | 5LW-14589-00 | .SPRING | 1 | | | | |
| 35 | 5LW-14261-00 | .HOLDER | 1 | | | | |
| 36 | 98502-05010 | .SCREW, PAN HEAD | 1 | | | | |
| 37 | 5LW-24411-00 | .DIAPHRAGM | 1 | | | | |
| 38 | 5LW-14112-00 | .VALVE, THROTTLE 1 | 1 | | | | |
| 39 | 5LW-14994-00 | .NET, FILTER | 1 | | | | |
| 40 | 5LW-14147-00 | .O-RING | 1 | | | | |
| | | | | | | | |
| | | | | | | | |
| | | | | | | | |
| | | | | | | | |
| | | | | | | | |
| | | | | | | | |

FIG. 9 EXHAUST



| REF. NO. | PART NO. | DESCRIPTION | 5MX6 | | | | REMARKS |
|----------|--------------|----------------------|------|--|--|--|---------|
| 1 | 2D5-E4610-00 | EXHAUST PIPE ASSY 1 | 1 | | | | |
| 2 | 5MX-E4710-20 | MUFFLER ASSY 1 | 1 | | | | |
| 3 | 2D5-E4718-00 | PROTECTOR, MUFFLER 1 | 1 | | | | |
| 4 | 98980-06010 | SCREW, BIND | 4 | | | | |
| 5 | 90201-06557 | WASHER, PLATE | 2 | | | | |
| 6 | 2D5-E4728-00 | PROTECTOR, MUFFLER 2 | 1 | | | | |
| 7 | 92903-06200 | WASHER, PLAIN | 2 | | | | |
| 8 | 5MX-E4613-00 | GASKET, EXHAUST PIPE | 1 | | | | |
| 9 | 95707-08500 | NUT, FLANGE | 2 | | | | |
| 10 | 95817-10060 | BOLT, FLANGE | 3 | | | | |
| 11 | 5MX-E4714-00 | GASKET, MUFFLER | 1 | | | | |
| 12 | 95817-08035 | BOLT, FLANGE | 1 | | | | |
| | | | | | | | |
| | | | | | | | |
| | | | | | | | |
| | | | | | | | |
| | | | | | | | |

5MX6460-D090

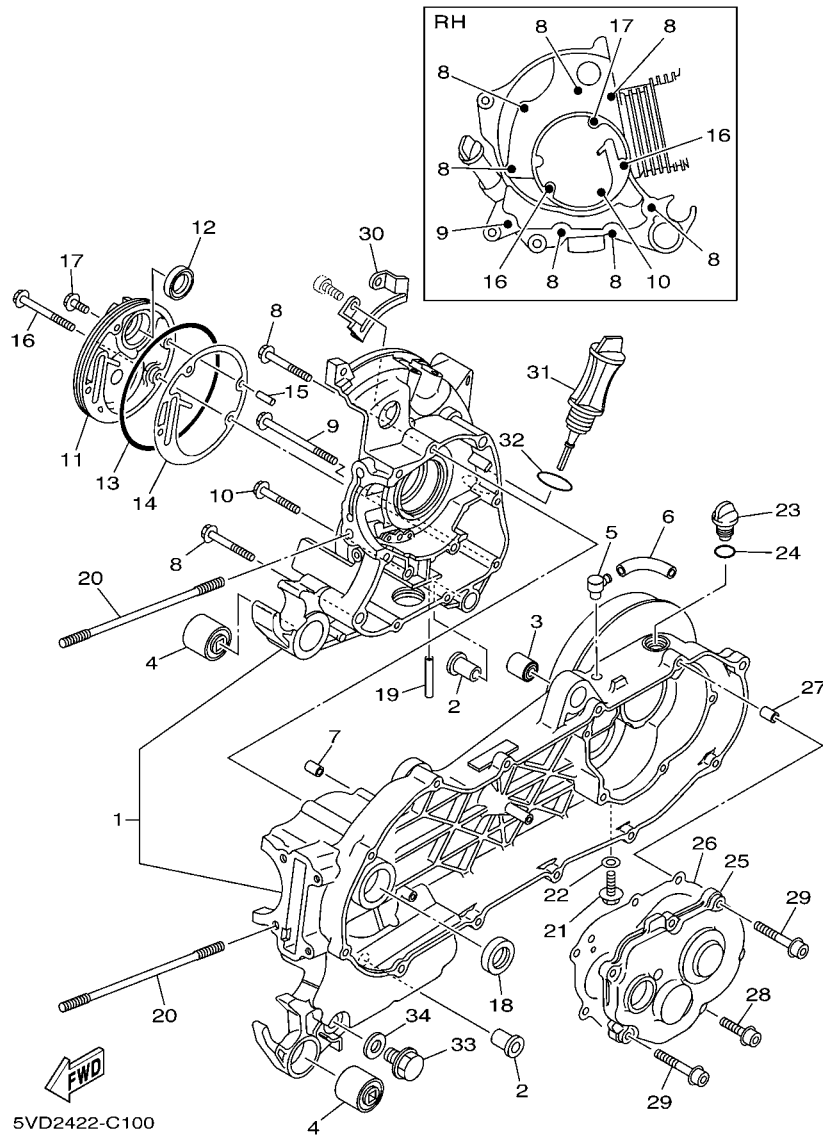


FIG. 10 CRANKCASE

| REF. NO. | PART NO. | DESCRIPTION | 5MX6 | | | | REMARKS |
|----------|--------------|---------------------------|------|--|--|--|---------|
| 1 | 5LW-E5150-05 | CRANKCASE ASSY | 1 | | | | |
| 2 | 5MX-F7121-00 | BUSH | 2 | | | | |
| 3 | 164-22216-00 | BUSH, REAR SHOCK ABSORBER | 1 | | | | |
| 4 | 5MX-F2123-00 | BUSH 1 | 2 | | | | |
| 5 | 5LW-E5371-01 | BREATHER | 1 | | | | |
| 6 | 5LW-E5373-01 | PIPE, BREATHER | 1 | | | | |
| 7 | 99530-10114 | PIN, DOWEL | 2 | | | | |
| 8 | 95027-06060 | BOLT, FLANGE | 7 | | | | |
| 9 | 95027-06100 | BOLT, FLANGE | 1 | | | | |
| 10 | 95027-06050 | BOLT, FLANGE | 1 | | | | |
| 11 | 5LW-E5417-00 | COVER, CAP | 1 | | | | |
| 12 | 93102-19800 | OIL SEAL | 1 | | | | |
| 13 | 93211-07800 | O-RING | 1 | | | | |
| 14 | 5MX-E5453-00 | GASKET | 1 | | | | |
| 15 | 99480-05010 | PIN | 1 | | | | |
| 16 | 95027-06070 | BOLT, FLANGE | 2 | | | | |
| 17 | 95027-06016 | BOLT, FLANGE | 1 | | | | |
| 18 | 93102-22810 | OIL SEAL | 1 | | | | |
| 19 | 5LW-E3416-00 | PIPE, OIL 1 | 1 | | | | |
| 20 | 5MX-E1391-00 | BOLT, STUD 1 | 4 | | | | |
| 21 | 95817-08016 | BOLT, FLANGE | 1 | | | | |
| 22 | 90430-08119 | GASKET | 1 | | | | |
| 23 | 5LW-E5363-00 | PLUG, OIL | 1 | | | | |
| 24 | 93210-148H8 | O-RING | 1 | | | | |
| 25 | 5LW-E5421-00 | COVER, CRANKCASE 2 | 1 | | | | |
| 26 | 5LW-E5461-00 | GASKET, CRANKCASE COVER 2 | 1 | | | | |
| 27 | 91810-14001 | PIN, DOWEL | 2 | | | | |

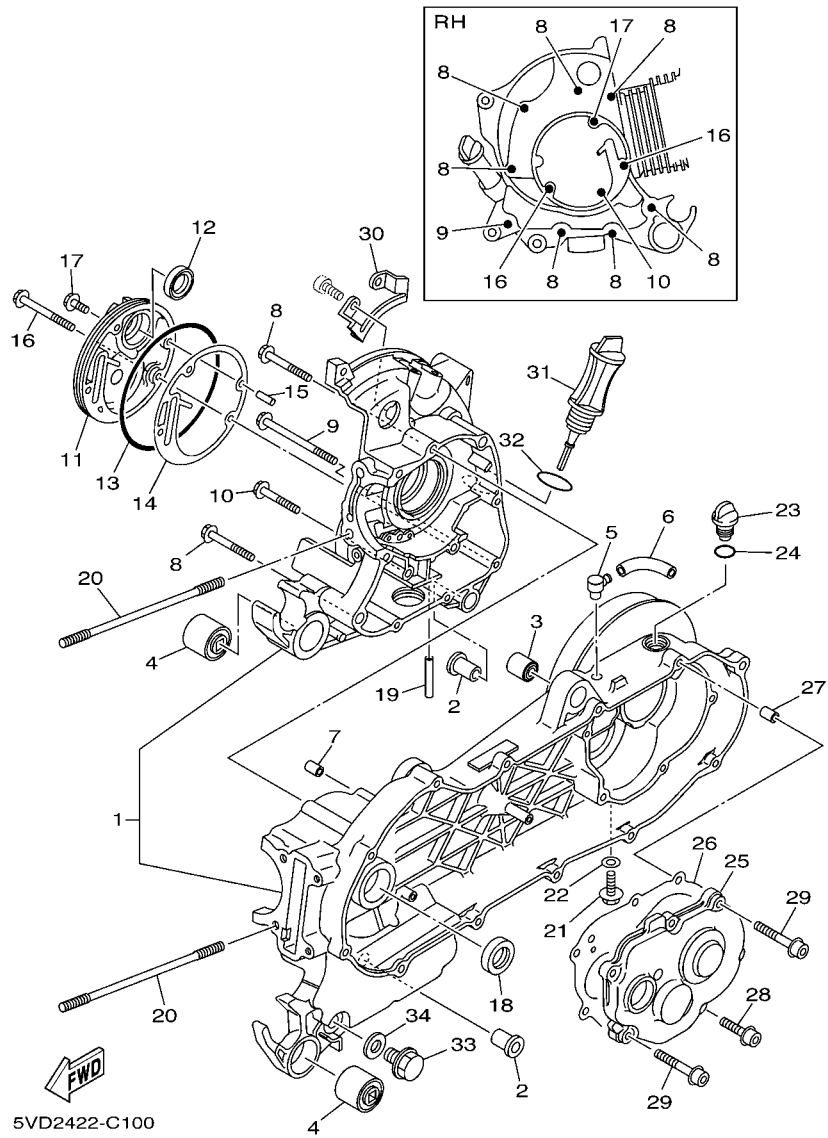


FIG. 10 CRANKCASE

| REF. NO. | PART NO. | DESCRIPTION | SMX6 | | | | REMARKS |
|----------|--------------|---------------------------|------|--|--|--|---------|
| 28 | 90109-067E4 | BOLT | 4 | | | | |
| 29 | 90110-06813 | BOLT, HEXAGON SOCKET HEAD | 2 | | | | |
| 30 | 5LW-E5113-00 | PLATE | 1 | | | | |
| 31 | 5LW-E5362-00 | PLUG, OIL LEVEL | 1 | | | | |
| 32 | 5LW-E3769-00 | O-RING | 1 | | | | |
| 33 | 90340-12808 | PLUG, STRAIGHT SCREW | 1 | | | | |
| 34 | 90201-12172 | WASHER, PLATE | 1 | | | | |

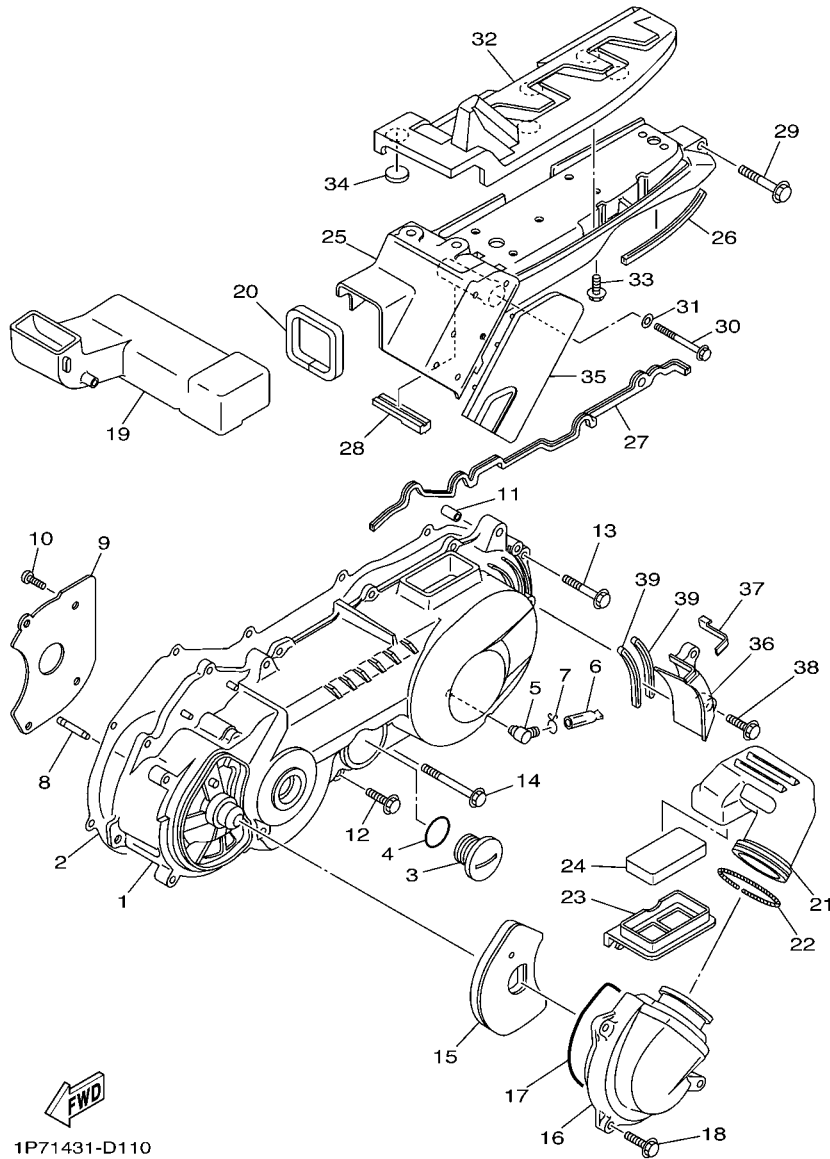


FIG. 11 CRANKCASE COVER 1

| REF. NO. | PART NO. | DESCRIPTION | SMX6 | | | | REMARKS |
|----------|--------------|---------------------------|------|--|--|--|---------|
| 1 | 5LW-E5411-00 | COVER, CRANKCASE 1 | 1 | | | | |
| 2 | 5MX-E5451-00 | GASKET, CRANKCASE COVER 1 | 1 | | | | |
| 3 | 90340-32820 | PLUG, STRAIGHT SCREW | 1 | | | | |
| 4 | 93210-328G3 | O-RING | 1 | | | | |
| 5 | 5LW-E5371-01 | BREATHER | 1 | | | | |
| 6 | 4ST-E443E-00 | PIPE, DRAIN | 1 | | | | |
| 7 | 90467-11106 | CLIP | 1 | | | | |
| 8 | 5LW-15659-01 | SHAFT | 1 | | | | |
| 9 | 5LW-E5191-00 | PLATE | 1 | | | | |
| 10 | 98907-06010 | SCREW, BIND | 4 | | | | |
| 11 | 99530-10114 | PIN, DOWEL | 2 | | | | |
| 12 | 95027-06025 | BOLT, FLANGE | 10 | | | | |
| 13 | 95027-06035 | BOLT, FLANGE | 2 | | | | |
| 14 | 95027-06060 | BOLT, FLANGE | 1 | | | | |
| 15 | 5LW-E5407-01 | ELEMENT 1 | 1 | | | | |
| 16 | 5LW-E5471-00 | DUCT, AIR | 1 | | | | |
| 17 | 5LW-E5472-00 | SEAL, AIR DUCT | 1 | | | | |
| 18 | 95027-06020 | BOLT, FLANGE | 3 | | | | |
| 19 | 5LW-E5473-00 | DUCT, AIR | 1 | | | | |
| 20 | 5LW-E5335-00 | DAMPER 3 | 1 | | | | |
| 21 | 5LW-E5475-00 | DUCT, AIR | 1 | | | | |
| 22 | 5LW-15479-00 | SPRING | 1 | | | | |
| 23 | 5LW-E5404-00 | GUIDE, ELEMENT | 1 | | | | |
| 24 | 5LW-E5408-00 | ELEMENT 2 | 1 | | | | |
| 25 | 5LW-E5492-00 | COVER | 1 | | | | |
| 26 | 5MX-E5315-00 | SEAL, CRANKCASE | 1 | | | | |
| 27 | 5MX-E5379-00 | SEAL, CRANKCASE | 1 | | | | |

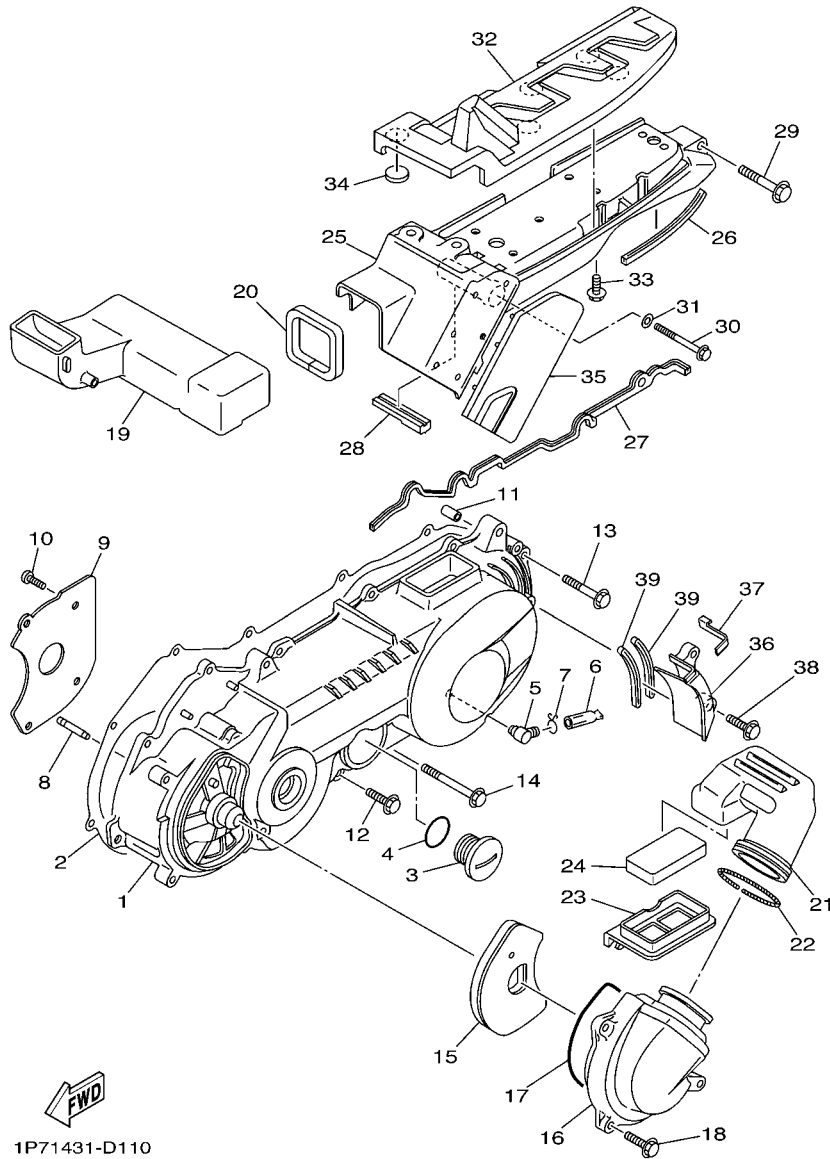
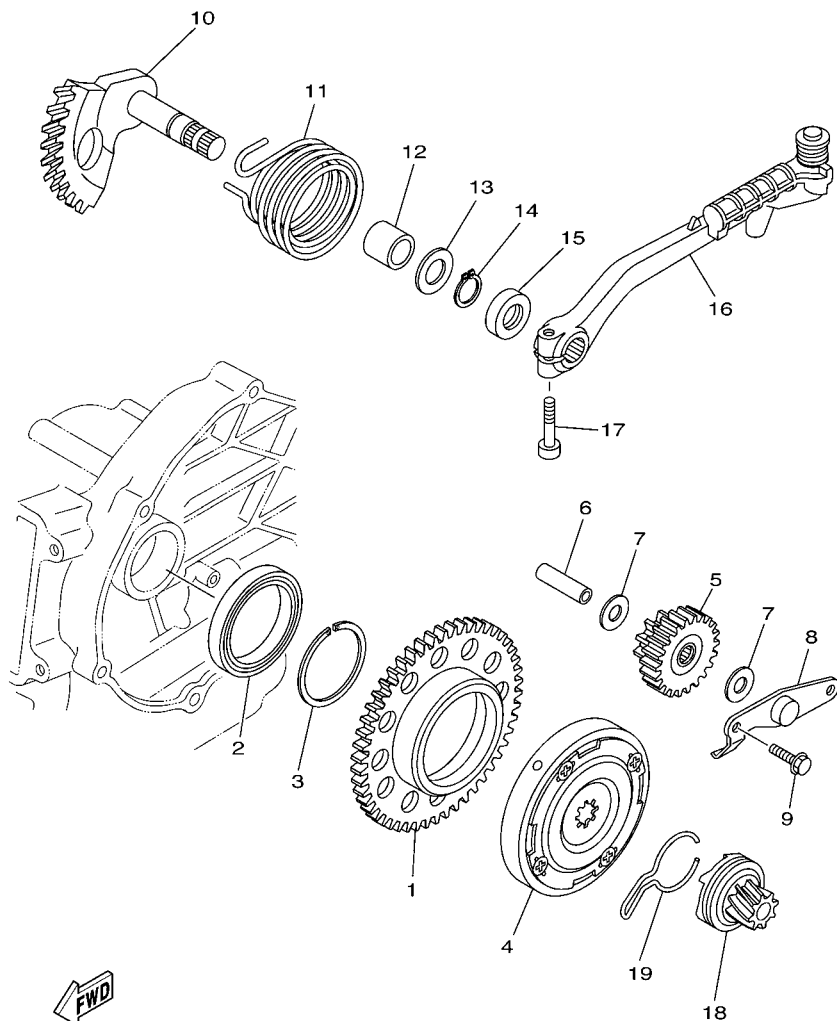


FIG. 11 CRANKCASE COVER 1

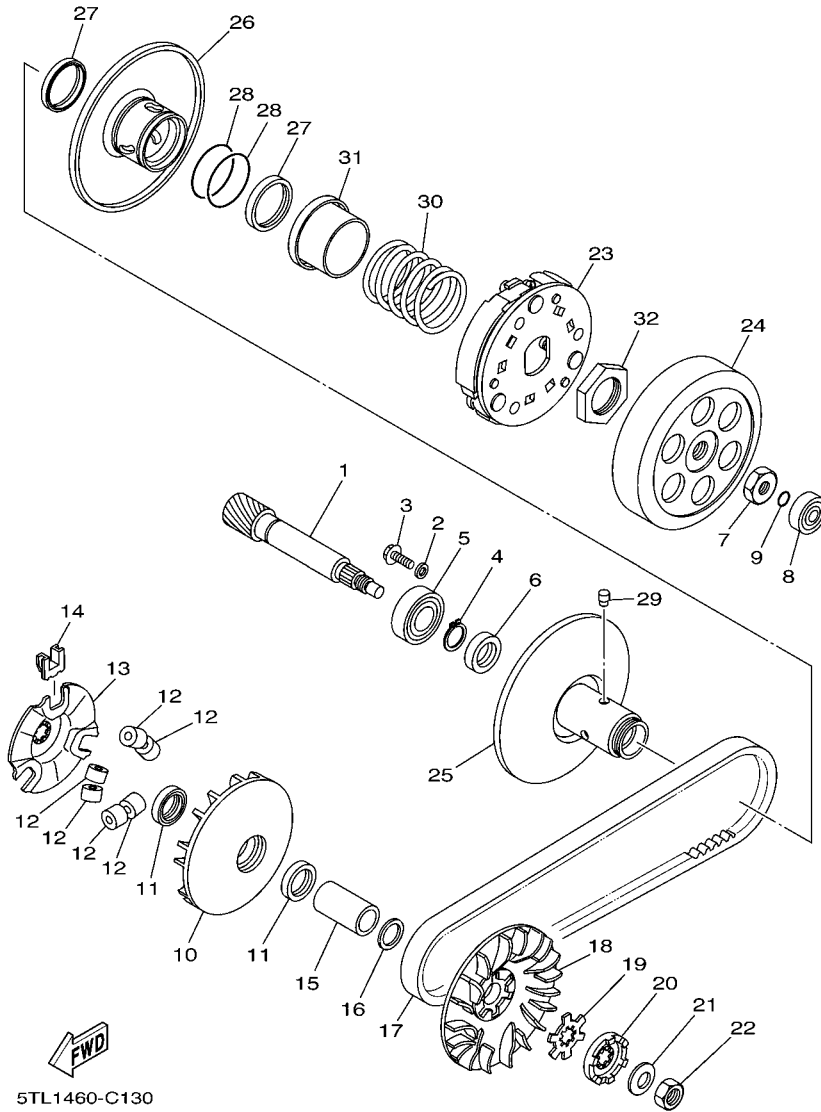
| REF. NO. | PART NO. | DESCRIPTION | 5MX6 | | | | REMARKS |
|----------|--------------|------------------------|------|--|--|--|---------|
| 28 | 5MX-E5495-00 | SEAL, PROTECTOR 1 | 1 | | | | |
| 29 | 95027-08040 | BOLT, FLANGE | 1 | | | | |
| 30 | 95027-08080 | BOLT, FLANGE | 1 | | | | |
| 31 | 90201-08088 | WASHER, PLATE | 1 | | | | |
| 32 | 1P7-E5333-00 | COVER | 1 | | | | |
| 33 | 90119-06054 | BOLT, WITH WASHER | 4 | | | | |
| 34 | 5MX-E5316-00 | DAMPER, ENGINE MOUNT 1 | 5 | | | | |
| 35 | 5MX-E5491-00 | PROTECTOR | 1 | | | | |
| 36 | 5LW-E5413-00 | COVER | 1 | | | | |
| 37 | 5LW-E5326-00 | DAMPER, ENGINE MOUNT 2 | 1 | | | | |
| 38 | 95027-06016 | BOLT, FLANGE | 2 | | | | |
| 39 | 5LW-E5494-00 | SEAL, PROTECTOR | 2 | | | | |
| | | | | | | | |
| | | | | | | | |
| | | | | | | | |
| | | | | | | | |



FWD
5MX6460-D120

FIG. 12 STARTER

| REF. NO. | PART NO. | DESCRIPTION | 5MX6 | | | | REMARKS |
|----------|--------------|-----------------------|------|--|--|--|---------|
| 1 | 5TL-E5524-00 | WHEEL, STARTER | 1 | | | | |
| 2 | 93306-809Y0 | BEARING | 1 | | | | |
| 3 | 93440-45827 | CIRCLIP | 1 | | | | |
| 4 | 5VV-E5570-00 | STARTER CLUTCH ASSY | 1 | | | | |
| 5 | 5TL-E5650-00 | IDLE GEAR ASSY | 1 | | | | |
| 6 | 5LW-15521-00 | SHAFT 1 | 1 | | | | |
| 7 | 90201-10018 | WASHER, PLATE | 2 | | | | |
| 8 | 5LW-E5532-00 | PLATE, IDLE GEAR | 1 | | | | |
| 9 | 95027-06012 | BOLT, FLANGE | 2 | | | | |
| 10 | 5MX-E5601-10 | KICK SHAFT ASSY | 1 | | | | |
| 11 | 90508-32768 | SPRING, TORSION | 1 | | | | |
| 12 | 90380-15800 | BUSH, SOLID | 1 | | | | |
| 13 | 90201-154E8 | WASHER, PLATE (T=1.0) | 1 | | | | |
| 14 | 99009-15400 | CIRCLIP | 1 | | | | |
| 15 | 93102-15801 | OIL SEAL | 1 | | | | |
| 16 | 5MX-E5620-00 | KICK CRANK ASSY | 1 | | | | |
| 17 | 91317-06025 | BOLT | 1 | | | | |
| 18 | 5MX-E5670-00 | KICK PINION ASSY 2 | 1 | | | | |
| 19 | 5MX-E5673-00 | CLIP | 1 | | | | |



5TL1460-C130

FIG. 13 CLUTCH

| REF. NO. | PART NO. | DESCRIPTION | SMX6 | | | | REMARKS |
|----------|--------------|------------------------------|------|--|--|--|---------|
| 1 | 5LW-E6111-00 | GEAR, PRIMARY DRIVE | 1 | | | | |
| 2 | 90201-06060 | WASHER, PLATE | 1 | | | | |
| 3 | 95027-06010 | BOLT, FLANGE | 1 | | | | |
| 4 | 99009-17400 | CIRCLIP | 1 | | | | |
| 5 | 93306-203YU | BEARING | 1 | | | | |
| 6 | 93102-17803 | OIL SEAL | 1 | | | | |
| 7 | 90170-10317 | NUT | 1 | | | | |
| 8 | 93300-638Y6 | BEARING | 1 | | | | |
| 9 | 93210-06800 | O-RING | 1 | | | | |
| 10 | 5LW-E7620-00 | PRIMARY SLIDING SHEAVE COMP. | 1 | | | | |
| 11 | 93101-21803 | OIL SEAL | 2 | | | | |
| 12 | 5LW-17632-00 | WEIGHT | 6 | | | | |
| 13 | 5TL-E7623-00 | CAM | 1 | | | | |
| 14 | 5LW-17653-00 | SLIDER | 3 | | | | |
| 15 | 90387-16009 | COLLAR | 1 | | | | |
| 16 | 90201-16008 | WASHER, PLATE | 1 | | | | |
| 17 | 5TL-E7641-01 | V-BELT | 1 | | | | |
| 18 | 5LW-E7611-01 | SHEAVE, PRIMARY FIXED | 1 | | | | |
| 19 | 90214-14002 | WASHER, CLAW | 1 | | | | |
| 20 | 5MX-E5657-00 | CLUTCH, ONEWAY | 1 | | | | |
| 21 | 90208-12050 | WASHER, CONICAL SPRING | 1 | | | | |
| 22 | 95307-12700 | NUT | 1 | | | | |
| 23 | 5TL-E6620-00 | CLUTCH CARRIER ASSY | 1 | | | | |
| 24 | 5TL-E6611-00 | CLUTCH HOUSING COMP. | 1 | | | | |
| 25 | 5TL-E7660-00 | SECONDARY FIXED SHEAVE COMP. | 1 | | | | |
| 26 | 5TL-E7670-00 | SECONDARY SLIDING SHEAVE | 1 | | | | |
| 27 | 5TL-E7465-00 | SEAL, FELT | 2 | | | | |

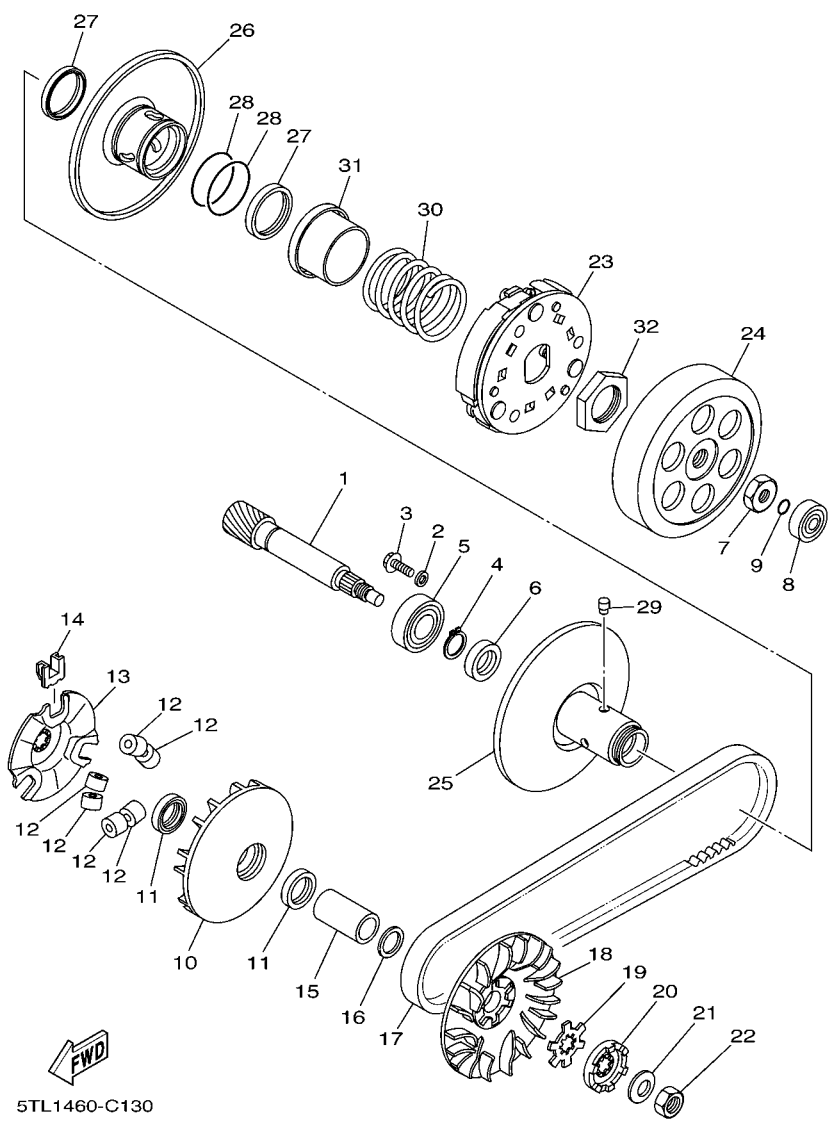
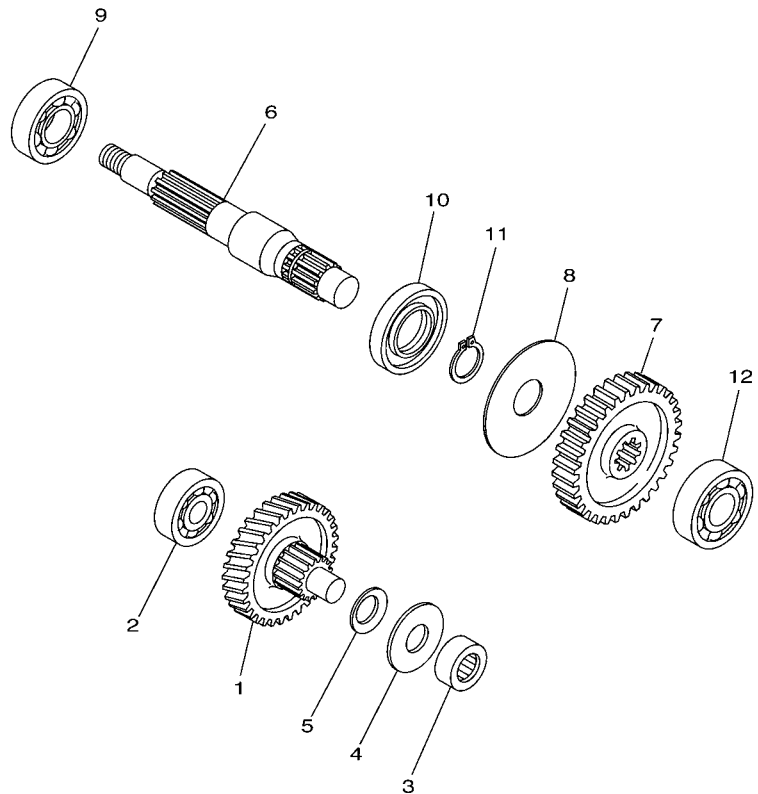


FIG. 13 CLUTCH

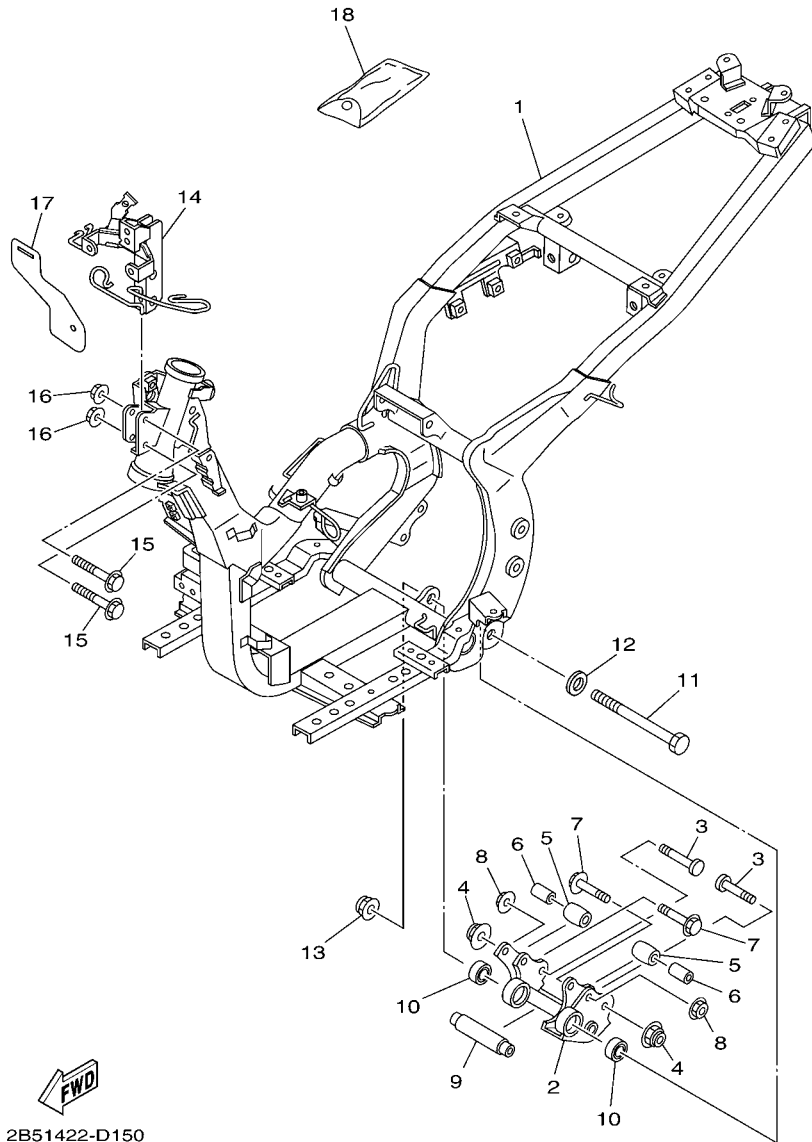
| REF. NO. | PART NO. | DESCRIPTION | SMX6 | | | | REMARKS |
|----------|--------------|------------------------|------|--|--|--|---------|
| 28 | 5TL-E7465-10 | SEAL, FELT | 2 | | | | |
| 29 | 5TL-E7664-00 | PIN, GUIDE | 3 | | | | |
| 30 | 5TL-E7683-00 | SPRING, SECONDARY | 1 | | | | |
| 31 | 5TL-E7684-00 | SEAT, SECONDARY SPRING | 1 | | | | |
| 32 | 5TL-E7668-00 | NUT | 1 | | | | |
| ----- | | | | | | | |
| ----- | | | | | | | |
| ----- | | | | | | | |
| ----- | | | | | | | |
| ----- | | | | | | | |
| ----- | | | | | | | |
| ----- | | | | | | | |
| ----- | | | | | | | |
| ----- | | | | | | | |
| ----- | | | | | | | |



5LW1440-A141

FIG. 14 TRANSMISSION

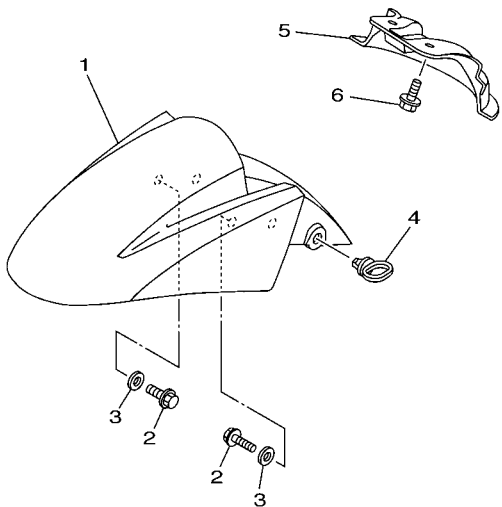
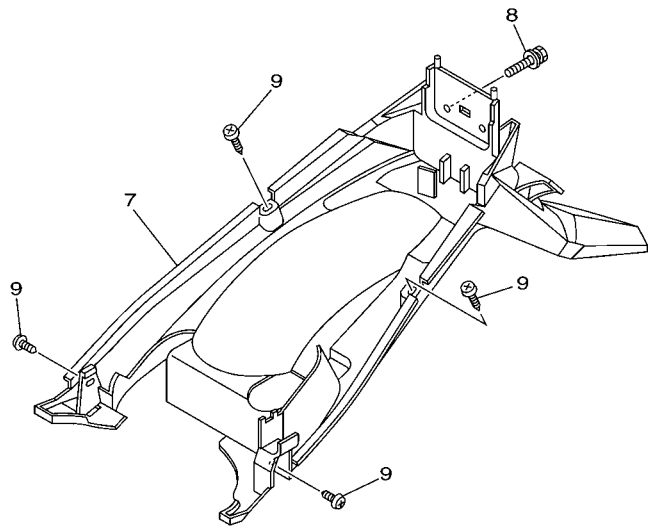
| REF. NO. | PART NO. | DESCRIPTION | 5MX6 | | | | REMARKS |
|----------|--------------|---------------------------|------|--|--|--|---------|
| 1 | 5MX-E7410-10 | MAIN AXLE COMP. (13T/47T) | 1 | | | | |
| 2 | 93306-301YS | BEARING | 1 | | | | |
| 3 | 93311-315Y6 | BEARING | 1 | | | | |
| 4 | 90201-15008 | WASHER, PLATE | 1 | | | | |
| 5 | 90201-15016 | WASHER, PLATE | 1 | | | | |
| 6 | 5MX-E7421-10 | AXLE, DRIVE | 1 | | | | |
| 7 | 5MX-E7211-10 | GEAR, 1ST WHEEL (43T) | 1 | | | | |
| 8 | 90208-21002 | WASHER, CONICAL SPRING | 1 | | | | |
| 9 | 93306-004XD | BEARING | 1 | | | | |
| 10 | 93102-26800 | OIL SEAL | 1 | | | | |
| 11 | 93410-20070 | CIRCLIP | 1 | | | | |
| 12 | 93306-203YU | BEARING | 1 | | | | |
| | | | | | | | |
| | | | | | | | |
| | | | | | | | |
| | | | | | | | |
| | | | | | | | |



2B51422-D150

FIG. 15 FRAME

| REF. NO. | PART NO. | DESCRIPTION | 5MX6 | | | | REMARKS |
|----------|--------------|-------------------------|------|--|--|--|---------|
| 1 | 2D5-F1110-00 | FRAME COMP. | 1 | | | | |
| 2 | 5MX-F1410-00 | ENGINE BRACKET COMP. | 1 | | | | |
| 3 | 5MX-F1481-00 | BOLT, ENGINE MOUNTING 1 | 2 | | | | |
| 4 | 9560L-10200 | NUT, SELF-LOCKING | 2 | | | | |
| 5 | 5MX-F7114-00 | STOPPER, MAIN STAND | 2 | | | | |
| 6 | 90387-08754 | COLLAR | 2 | | | | |
| 7 | 90105-08048 | BOLT, FLANGE | 2 | | | | |
| 8 | 95607-08200 | NUT, SELF-LOCKING | 2 | | | | |
| 9 | 5MX-F1459-00 | SPACER | 1 | | | | |
| 10 | 93306-003X4 | BEARING | 2 | | | | |
| 11 | 5MX-F5181-00 | AXLE, WHEEL | 1 | | | | |
| 12 | 90201-12688 | WASHER, PLATE | 1 | | | | |
| 13 | 9560L-12200 | NUT, SELF-LOCKING | 1 | | | | |
| 14 | 2D5-F8356-00 | STAY 1 | 1 | | | | |
| 15 | 95817-08035 | BOLT, FLANGE | 2 | | | | |
| 16 | 95707-08500 | NUT, FLANGE | 2 | | | | |
| 17 | 2D5-F117M-00 | COVER 2 | 1 | | | | |
| 18 | 5MX-F8100-00 | TOOL KIT | 1 | | | | UR |
| | 5LM-F8100-10 | TOOL KIT | 1 | | | | UR |



1P71431-D160

FIG. 16 FENDER

| REF. NO. | PART NO. | DESCRIPTION | 5MX6 | | REMARKS |
|----------|-----------------|-------------------|------|--|----------|
| 1 | 2D5-F1511-00-P0 | FENDER, FRONT | 1 | | UR VRC1 |
| | 2D5-F1511-00-P1 | FENDER, FRONT | 1 | | UR DPBMC |
| | 2D5-F1511-00-33 | FENDER, FRONT | 1 | | UR YB |
| 2 | 95807-06010 | BOLT, FLANGE | 4 | | |
| 3 | 90201-06072 | WASHER, PLATE | 4 | | |
| 4 | 4ST-F1518-00 | HOLDER, CABLE | 1 | | |
| 5 | 5LW-F1553-00 | FENDER, INNER 2 | 1 | | |
| 6 | 90119-06018 | BOLT, WITH WASHER | 2 | | |
| 7 | 1P7-F1611-00 | FENDER, REAR | 1 | | |
| 8 | 90119-06044 | BOLT, WITH WASHER | 2 | | |
| 9 | 97707-50014 | SCREW, TAPPING | 4 | | |

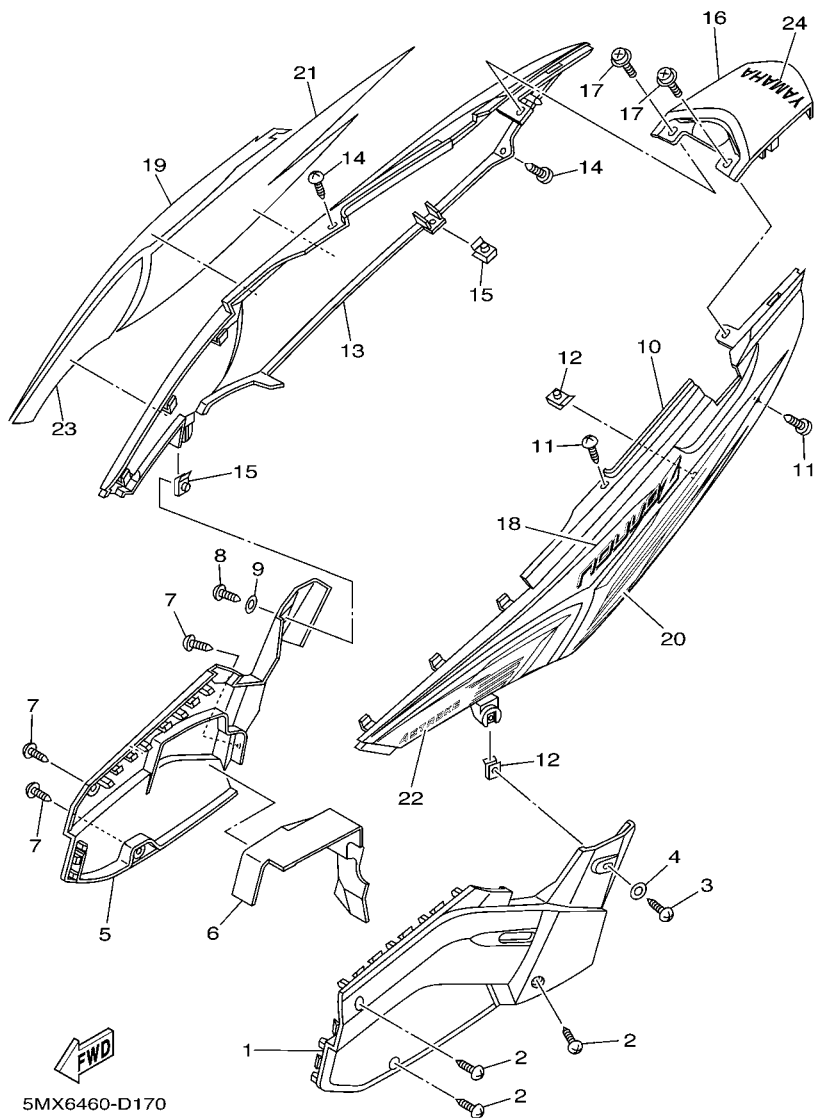


FIG. 17 SIDE COVER

| REF. NO. | PART NO. | DESCRIPTION | 5MX6 | | | REMARKS |
|----------|-----------------|--------------------|------|--|--|--------------|
| 1 | 2D5-F1711-00-35 | COVER, SIDE 1 | 1 | | | SL |
| 2 | 97707-50014 | SCREW, TAPPING | 3 | | | |
| 3 | 97780-50014 | SCREW, TAPPING | 1 | | | |
| 4 | 90201-05812 | WASHER, PLATE | 1 | | | |
| 5 | 2D5-F1721-00-35 | COVER, SIDE 2 | 1 | | | SL |
| 6 | 2D5-F176E-00 | PLATE | 1 | | | |
| 7 | 97707-50014 | SCREW, TAPPING | 3 | | | |
| 8 | 97780-50014 | SCREW, TAPPING | 1 | | | |
| 9 | 90201-05812 | WASHER, PLATE | 1 | | | |
| 10 | 2D5-F1731-00-P0 | COVER, SIDE 3 | 1 | | | S3 |
| 11 | 97707-50014 | SCREW, TAPPING | 2 | | | |
| 12 | 90183-05807 | NUT, SPRING | 2 | | | |
| 13 | 2D5-F1741-00-P0 | COVER, SIDE 4 | 1 | | | S3 |
| 14 | 97707-50014 | SCREW, TAPPING | 2 | | | |
| 15 | 90183-05807 | NUT, SPRING | 2 | | | |
| 16 | 2D5-F171E-00-P0 | COVER, SIDE 5 | 1 | | | S3 |
| 17 | 90159-06067 | SCREW, WITH WASHER | 2 | | | |
| 18 | 5MX-F173E-50 | GRAPHIC 1 | 1 | | | UR FOR VRC1 |
| | 5MX-F173E-60 | GRAPHIC 1 | 1 | | | UR FOR DPBMC |
| | 5MX-F173E-70 | GRAPHIC 1 | 1 | | | UR FOR YB |
| 19 | 5MX-F173F-50 | GRAPHIC 2 | 1 | | | UR FOR VRC1 |
| | 5MX-F173F-60 | GRAPHIC 2 | 1 | | | UR FOR DPBMC |
| | 5MX-F173F-70 | GRAPHIC 2 | 1 | | | UR FOR YB |
| 20 | 5MX-F174G-50 | GRAPHIC 3 | 1 | | | UR FOR VRC1 |
| | 5MX-F174G-60 | GRAPHIC 3 | 1 | | | UR FOR DPBMC |
| | 5MX-F174G-70 | GRAPHIC 3 | 1 | | | UR FOR YB |
| 21 | 5MX-F174H-50 | GRAPHIC 4 | 1 | | | UR FOR VRC1 |

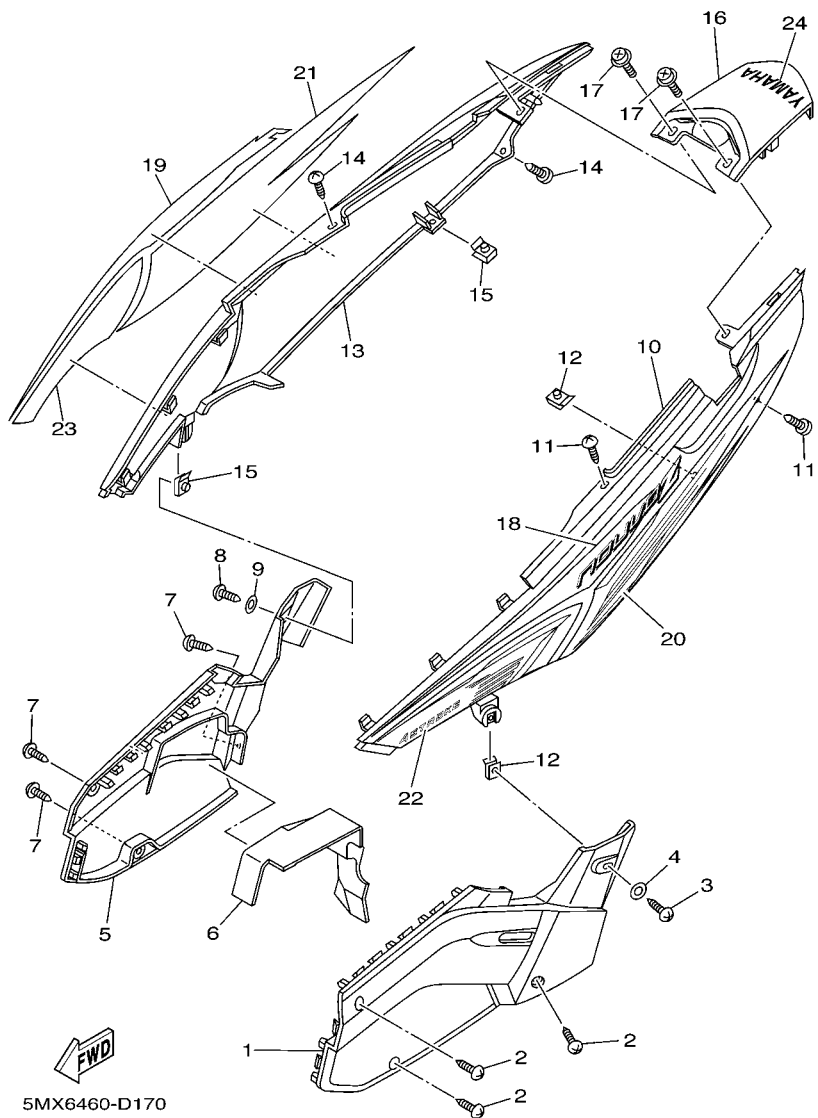
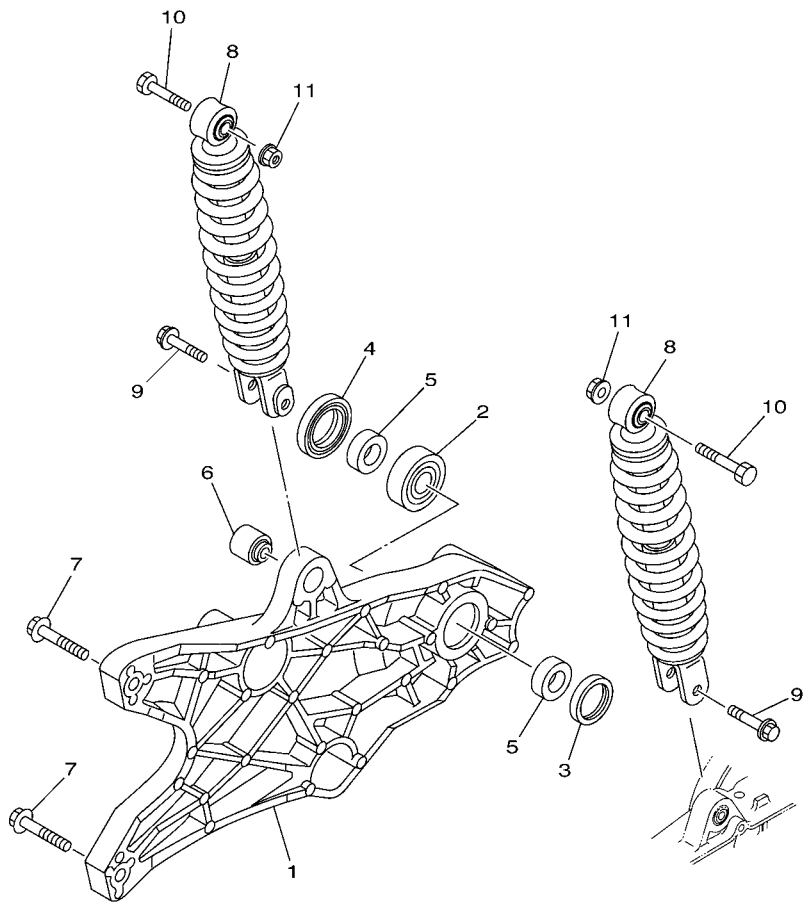


FIG. 17 SIDE COVER

| REF. NO. | PART NO. | DESCRIPTION | 5MX6 | | | | REMARKS |
|----------|--------------|----------------|------|--|--|--|--------------|
| 21 | 5MX-F174H-60 | GRAPHIC 4 | 1 | | | | UR FOR DPBMC |
| | 5MX-F174H-70 | GRAPHIC 4 | 1 | | | | UR FOR YB |
| 22 | 5MX-F174J-20 | GRAPHIC 5 | 1 | | | | UR FOR VRC1 |
| | 5MX-F174J-30 | GRAPHIC 5 | 1 | | | | UR FOR DPBMC |
| | 5MX-F174J-40 | GRAPHIC 5 | 1 | | | | UR FOR YB |
| 23 | 5MX-F174K-20 | GRAPHIC 6 | 1 | | | | UR FOR VRC1 |
| | 5MX-F174K-30 | GRAPHIC 6 | 1 | | | | UR FOR DPBMC |
| | 5MX-F174K-40 | GRAPHIC 6 | 1 | | | | UR FOR YB |
| 24 | 99234-00080 | EMBLEM, YAMAHA | 1 | | | | |

FIG. 18 REAR ARM & SUSPENSION



| REF. NO. | PART NO. | DESCRIPTION | 5MX6 | | | | REMARKS |
|----------|-----------------|---------------------------|------|--|--|--|---------|
| 1 | 5LW-F2171-10-35 | ARM, REAR 1 | 1 | | | | SL |
| 2 | 93306-302X4 | BEARING | 1 | | | | |
| 3 | 93106-28801 | OIL SEAL | 1 | | | | |
| 4 | 93106-28800 | OIL SEAL | 1 | | | | |
| 5 | 90387-15805 | COLLAR | 2 | | | | |
| 6 | 164-22216-00 | BUSH, REAR SHOCK ABSORBER | 1 | | | | |
| 7 | 95817-08040 | BOLT, FLANGE | 2 | | | | |
| 8 | 5MX-F2210-03 | SHOCK ABSORBER ASSY, REAR | 2 | | | | |
| 9 | 90105-08121 | BOLT, FLANGE | 2 | | | | |
| 10 | 90101-10776 | BOLT | 2 | | | | |
| 11 | 95707-10500 | NUT, FLANGE | 2 | | | | |
| | | | | | | | |
| | | | | | | | |
| | | | | | | | |
| | | | | | | | |
| | | | | | | | |


5VD3422-B180

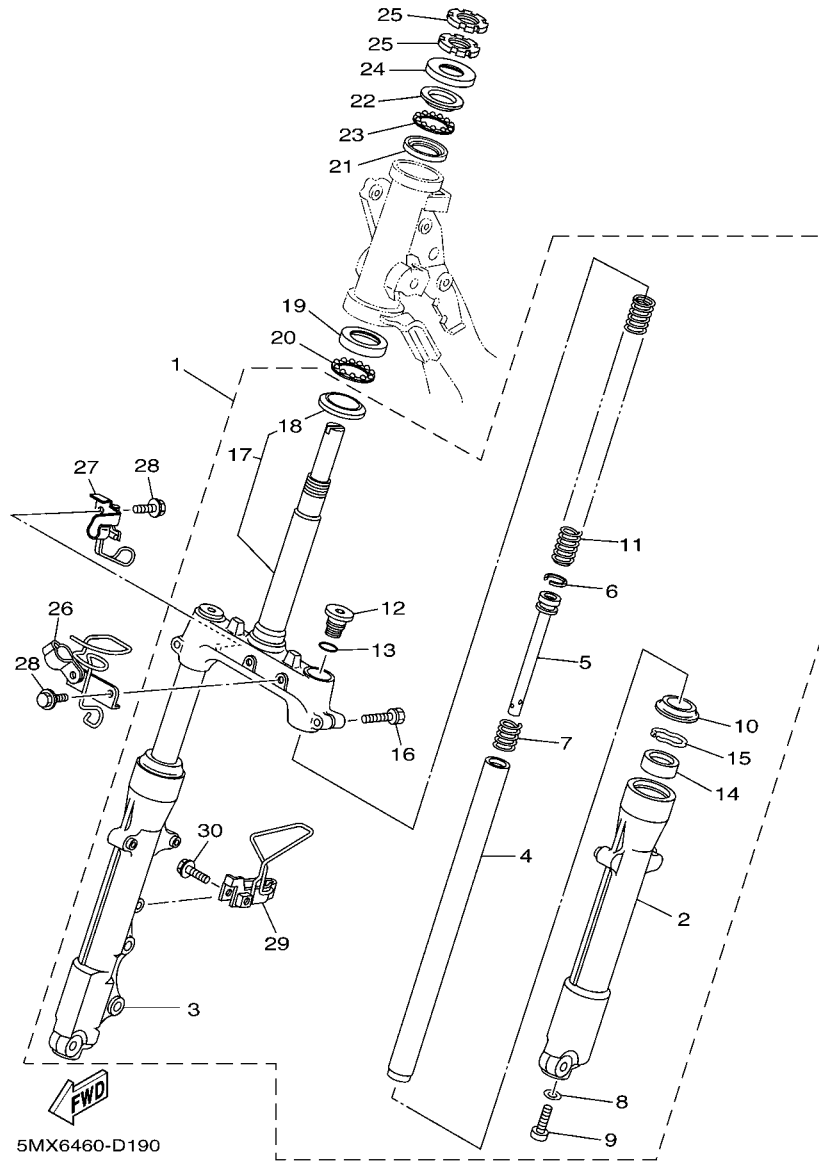


FIG. 19 STEERING

| REF. NO. | PART NO. | DESCRIPTION | 5MX6 | | | | REMARKS |
|----------|--------------|-----------------------------|------|--|--|--|---------|
| 1 | 5MX-F3100-00 | FRONT FORK ASSY | 1 | | | | |
| 2 | 5MX-F3126-00 | .TUBE, OUTER (LEFT) | 1 | | | | |
| 3 | 5MX-F3136-00 | .TUBE, OUTER (RIGHT) | 1 | | | | |
| 4 | 5MX-F3110-00 | .INNER TUBE COMP.1 | 2 | | | | |
| 5 | 5MX-F3170-00 | .CYLINDER COMP., FRONT FORK | 2 | | | | |
| 6 | 2JG-F3157-00 | .RING, PISTON | 2 | | | | |
| 7 | 5LM-F3152-00 | .SPRING, SUB | 2 | | | | |
| 8 | 509-F3158-L0 | .GASKET | 2 | | | | |
| 9 | 278-F3181-50 | .BOLT, HEXAGON SOCKET HEAD | 2 | | | | |
| 10 | 5LM-F3144-00 | .SEAL, DUST | 2 | | | | |
| 11 | 5MX-F3141-00 | .SPRING, FRONT FORK | 2 | | | | |
| 12 | 5LM-F3111-00 | .BOLT, CAP | 2 | | | | |
| 13 | 2JG-F3147-00 | .O-RING | 2 | | | | |
| 14 | 3AY-F3145-00 | .OIL SEAL | 2 | | | | |
| 15 | 1T8-F3156-00 | .CLIP, OIL SEAL | 2 | | | | |
| 16 | 5LM-F3346-00 | .BOLT 1 | 2 | | | | |
| 17 | 5MX-F3340-00 | .UNDER BRACKET COMP. | 1 | | | | |
| 18 | 156-23411-00 | ..RACE, BALL 1 | 1 | | | | |
| 19 | 156-23412-00 | RACE, BALL 2 | 1 | | | | |
| 20 | 5TL-2341E-00 | RETAINER, BALL BEARING | 1 | | | | |
| 21 | 22F-23412-01 | RACE, BALL 2 | 1 | | | | |
| 22 | 22F-23411-01 | RACE, BALL 1 | 1 | | | | |
| 23 | 5TL-2341E-10 | RETAINER, BALL BEARING | 1 | | | | |
| 24 | 3XA-F3416-00 | COVER, BALL RACE 2 | 1 | | | | |
| 25 | 90179-25033 | NUT | 2 | | | | |
| 26 | 2D5-F5875-00 | HOLDER, BRAKE HOSE 1 | 1 | | | | |
| 27 | 2D5-F5876-00 | HOLDER, BRAKE HOSE 2 | 1 | | | | |

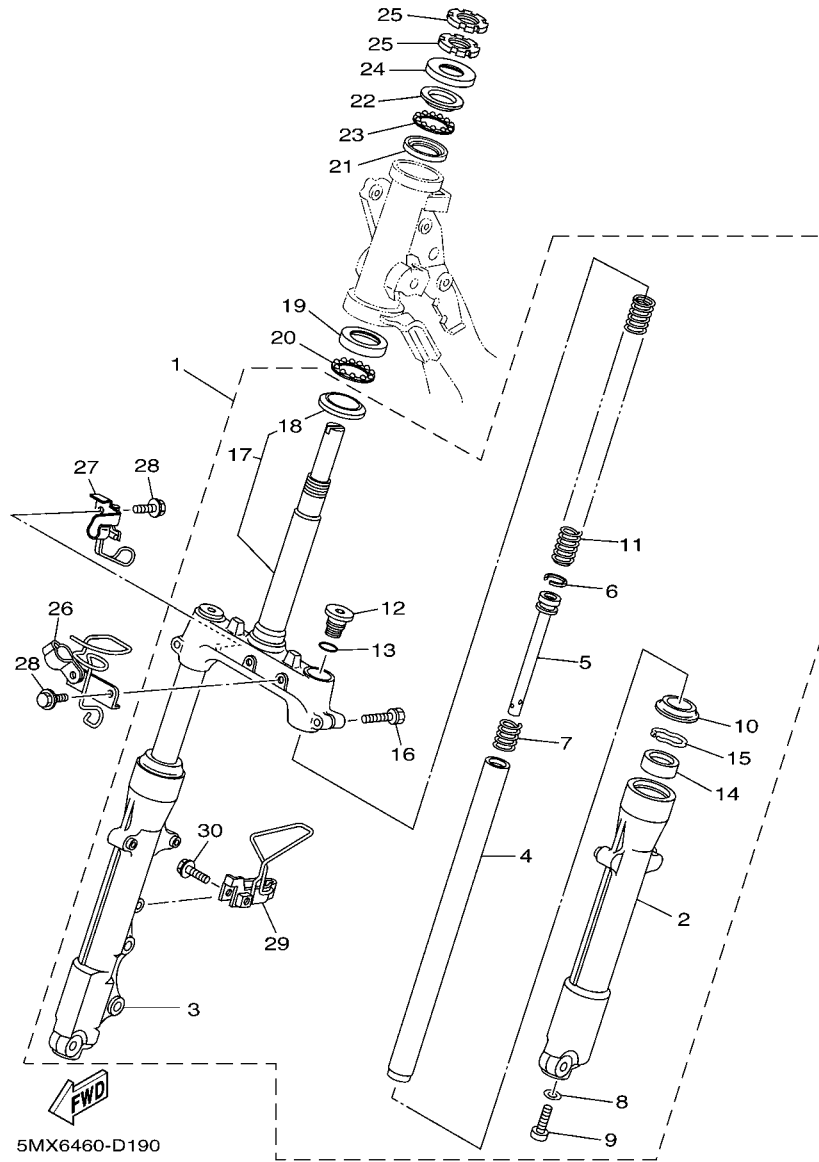


FIG. 19 STEERING

| REF. NO. | PART NO. | DESCRIPTION | 5MX6 | | | | REMARKS |
|----------|--------------|--------------------|------|--|--|--|---------|
| 28 | 90105-06069 | BOLT, FLANGE | 3 | | | | |
| 29 | 2D5-F5886-00 | HOLDER, BRAKE HOSE | 1 | | | | |
| 30 | 95807-06025 | BOLT, FLANGE | 1 | | | | |
| | | | | | | | |
| | | | | | | | |
| | | | | | | | |
| | | | | | | | |
| | | | | | | | |
| | | | | | | | |
| | | | | | | | |
| | | | | | | | |

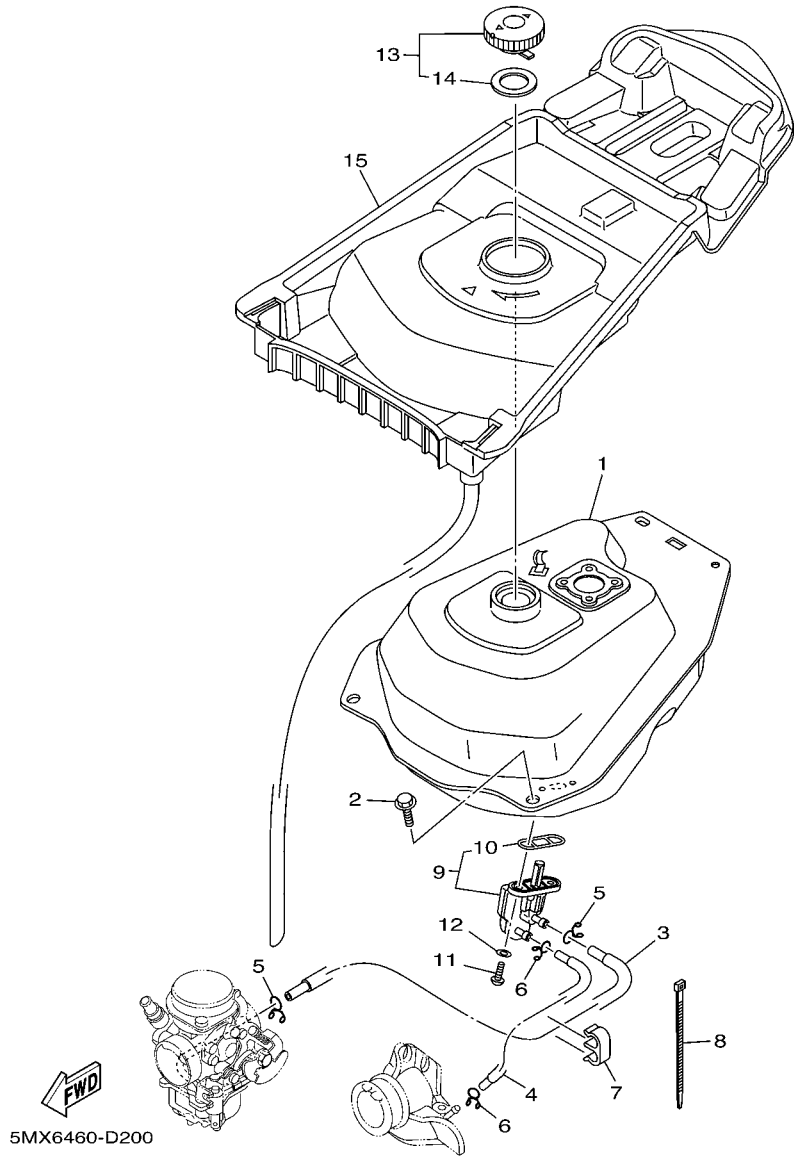


FIG. 20 FUEL TANK

| REF. NO. | PART NO. | DESCRIPTION | 5MX6 | | | | REMARKS |
|----------|--------------|-------------------|------|--|--|--|---------|
| 1 | 2D5-F4110-00 | FUEL TANK COMP. | 1 | | | | |
| 2 | 95807-06012 | BOLT, FLANGE | 4 | | | | |
| 3 | 5MX-F4311-01 | PIPE, FUEL 1 | 1 | | | | |
| 4 | 5MX-F4312-00 | PIPE 2 | 1 | | | | |
| 5 | 90467-09006 | CLIP | 2 | | | | |
| 6 | 90467-08075 | CLIP | 2 | | | | |
| 7 | 90464-12802 | CLAMP | 1 | | | | |
| 8 | 3AY-H3936-10 | BAND, SWITCH CORD | 1 | | | | |
| 9 | 4TT-F4500-00 | FUEL COCK ASSY 1 | 1 | | | | |
| 10 | 4X8-24512-00 | .O-RING | 1 | | | | |
| 11 | 90149-06011 | SCREW | 2 | | | | |
| 12 | 90202-05193 | WASHER, PLATE | 2 | | | | |
| 13 | 4YY-F4610-00 | CAP ASSY | 1 | | | | |
| 14 | 4YY-F4612-00 | .GASKET, CAP | 1 | | | | |
| 15 | 2D5-F414A-00 | COVER, FILLER | 1 | | | | |

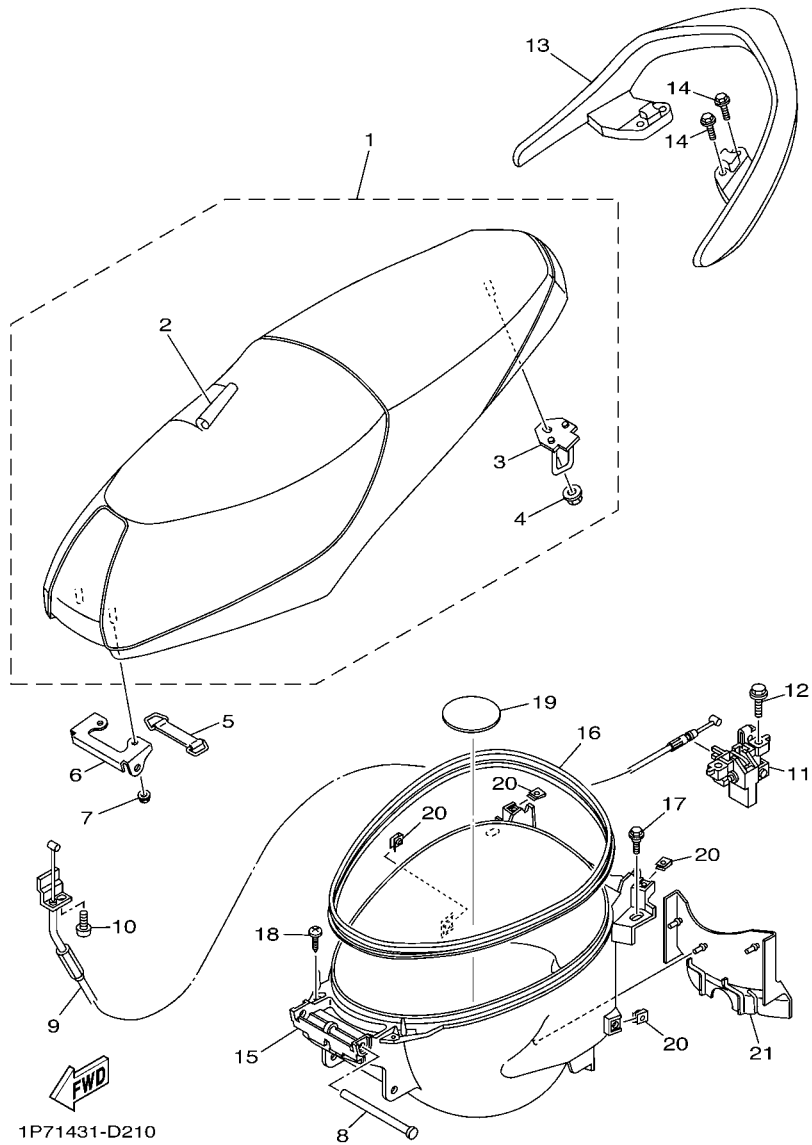
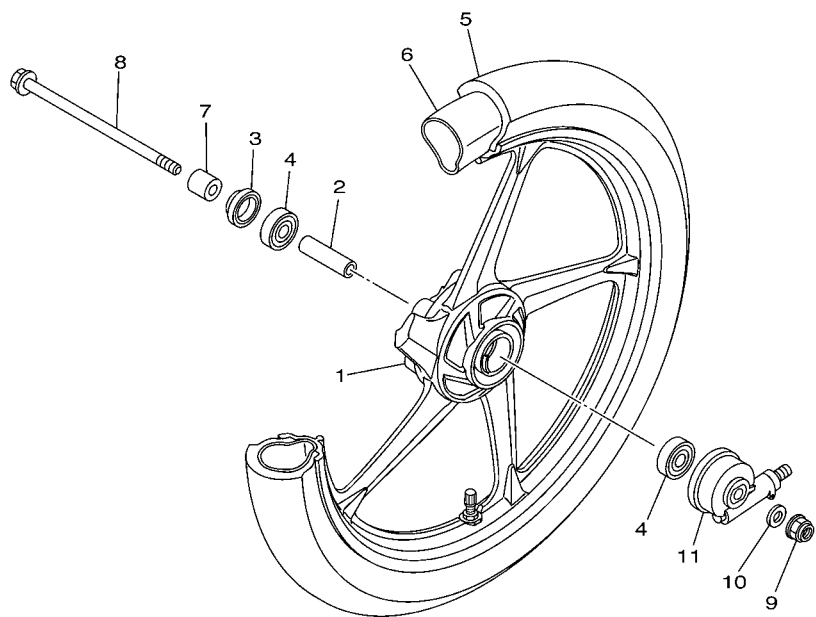


FIG. 21 SEAT

| REF. NO. | PART NO. | DESCRIPTION | 5MX6 | | | | REMARKS |
|----------|-----------------|-------------------|------|--|--|--|---------|
| 1 | 2D5-F4730-00 | DOUBLE SEAT ASSY | 1 | | | | |
| 2 | 2D5-F470F-00 | .SEAT COVER COMP. | 1 | | | | |
| 3 | 2D5-F4728-00 | .BRACKET, SEAT | 1 | | | | |
| 4 | 95707-06500 | .NUT, FLANGE | 1 | | | | |
| 5 | 4ST-H2131-00 | BAND, BATTERY | 1 | | | | |
| 6 | 5MX-F4726-00 | HINGE, SEAT | 1 | | | | |
| 7 | 95707-06500 | NUT, FLANGE | 2 | | | | |
| 8 | 90241-10015 | PIN | 1 | | | | |
| 9 | 2D5-F478E-00 | CABLE, SEAT LOCK | 1 | | | | |
| 10 | 98507-05010 | SCREW, PAN HEAD | 1 | | | | |
| 11 | 5LW-24780-00 | SEAT LOCK ASSY | 1 | | | | |
| 12 | 95807-06016 | BOLT, FLANGE | 2 | | | | |
| 13 | 2D5-F4773-00-35 | HANDLE, SEAT | 1 | | | | SL |
| 14 | 95827-06020 | BOLT, FLANGE | 4 | | | | |
| 15 | 5LW-F473R-10 | BOX 1 | 1 | | | | |
| 16 | 5MX-F475M-00 | SEAL | 1 | | | | |
| 17 | 90109-063F1 | BOLT | 4 | | | | |
| 18 | 97707-50014 | SCREW, TAPPING | 2 | | | | |
| 19 | 5MX-F4747-00 | DAMPER, SEAT | 1 | | | | |
| 20 | 90183-05807 | NUT, SPRING | 4 | | | | |
| 21 | 5MX-F1691-00 | FLAP | 1 | | | | |

FIG. 22 FRONT WHEEL



| REF. NO. | PART NO. | DESCRIPTION | 5MX6 | | | | REMARKS |
|----------|-----------------|------------------------|------|--|--|--|---------|
| 1 | 2D5-F5168-00-35 | CAST WHEEL, FRONT | 1 | | | | SL |
| 2 | 90560-10292 | SPACER | 1 | | | | |
| 3 | 93106-20816 | OIL SEAL | 1 | | | | |
| 4 | 93306-300X9 | BEARING | 2 | | | | |
| 5 | 94107-16801 | TIRE (70/90-16M/C 36P) | 1 | | | | DUNLOP |
| 6 | 94207-16801 | TUBE (70/90-16 TR4) | 1 | | | | DUNLOP |
| 7 | 90387-10277 | COLLAR | 1 | | | | |
| 8 | 3AY-F5181-01 | AXLE, WHEEL | 1 | | | | |
| 9 | 90185-10811 | NUT, SELF-LOCKING | 1 | | | | |
| 10 | 90201-101J1 | WASHER, PLATE | 1 | | | | |
| 11 | 5MX-F5190-00 | GEAR UNIT ASSY | 1 | | | | |
| | | | | | | | |
| | | | | | | | |
| | | | | | | | |
| | | | | | | | |
| | | | | | | | |


1P71431-D230

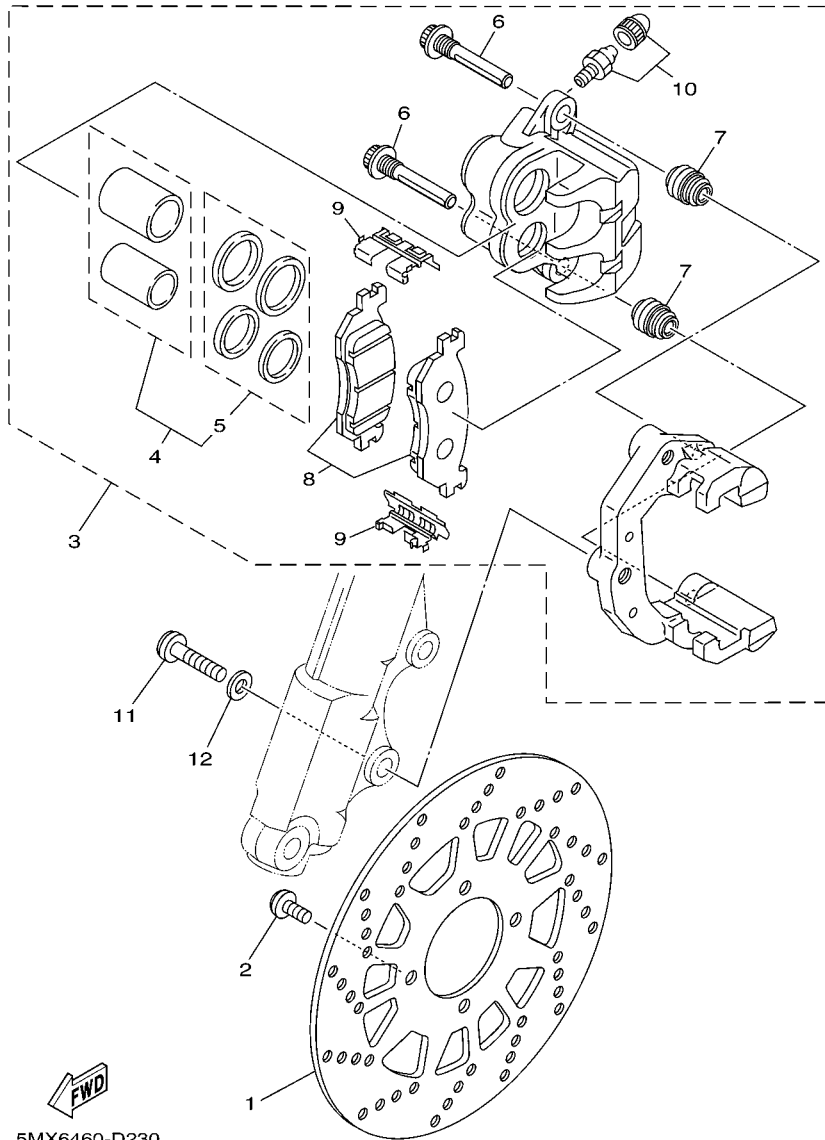


FIG. 23 FRONT BRAKE CALIPER

| REF. NO. | PART NO. | DESCRIPTION | 5MX6 | | | | REMARKS |
|----------|--------------|-----------------------|------|--|--|--|---------|
| 1 | 5TP-F582U-00 | DISK, BRAKE (RIGHT) | 1 | | | | |
| 2 | 90111-08815 | BOLT | 4 | | | | |
| 3 | 4US-F580U-00 | CALIPER ASSY (RIGHT) | 1 | | | | |
| 4 | 4TT-W0057-00 | .PISTON ASSY, CALIPER | 1 | | | | |
| 5 | 4ES-W0047-10 | ..CALIPER SEAL KIT | 1 | | | | |
| 6 | 5JW-25914-00 | .PIN, SLIDE | 2 | | | | |
| 7 | 4TT-25937-00 | .BOOT 2 | 2 | | | | |
| 8 | 4US-W0045-00 | .BRAKE PAD KIT | 1 | | | | |
| 9 | 4TT-25919-00 | .SUPPORT, PAD | 2 | | | | |
| 10 | 51L-W0048-00 | .BLEED SCREW KIT | 1 | | | | |
| 11 | 90149-10800 | SCREW | 2 | | | | |
| 12 | 92903-10200 | WASHER, PLAIN | 2 | | | | |

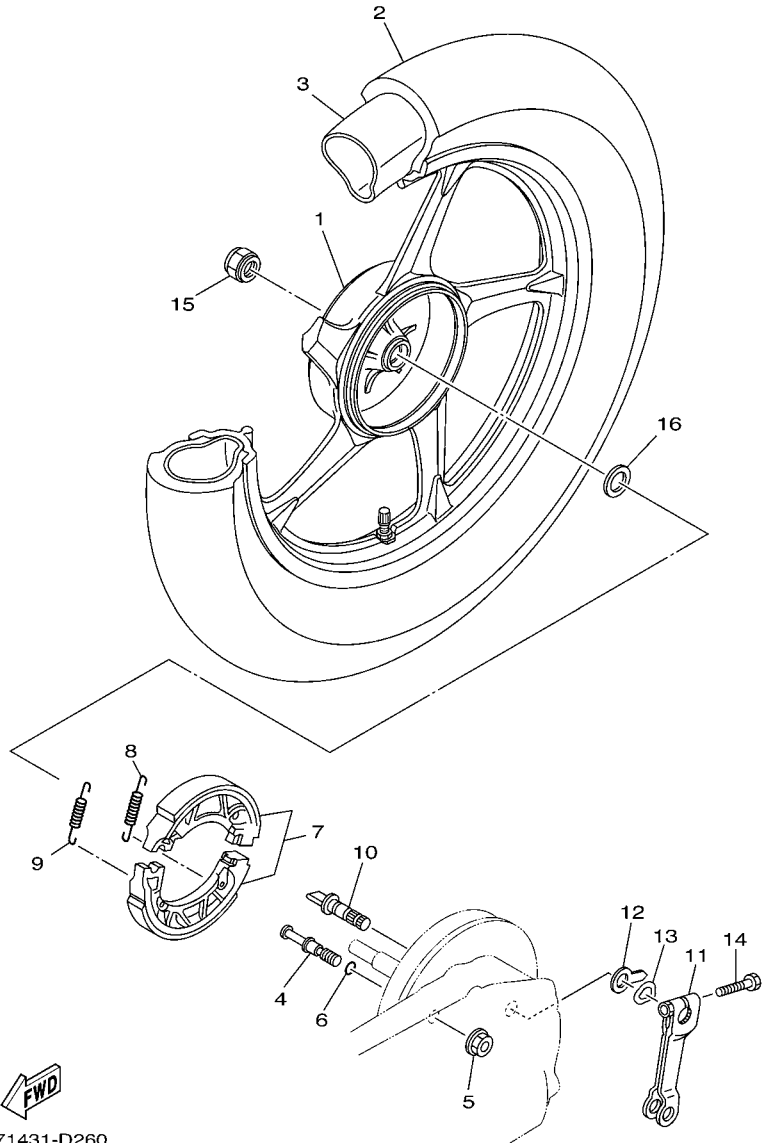
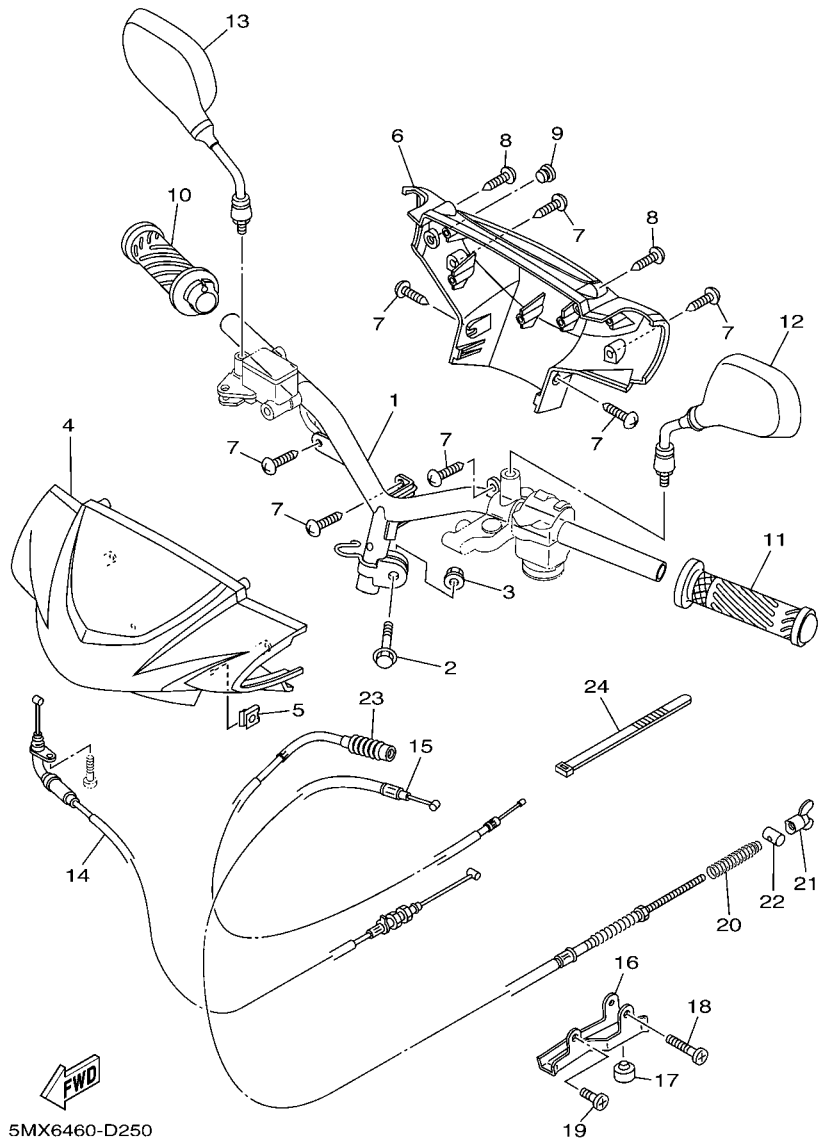


FIG. 24 REAR WHEEL

| REF. NO. | PART NO. | DESCRIPTION | 5MX6 | | | | REMARKS |
|----------|-----------------|------------------------|------|--|--|--|---------|
| 1 | 2D5-F5338-00-35 | CAST WHEEL, REAR | 1 | | | | SL |
| 2 | 94108-16801 | TIRE (80/90-16M/C 43P) | 1 | | | | DUNLOP |
| 3 | 94208-16801 | TUBE (80/90-16 TR4) | 1 | | | | DUNLOP |
| 4 | 5LW-F5326-01 | PIN, PIVOT | 1 | | | | |
| 5 | 95707-10500 | NUT, FLANGE | 1 | | | | |
| 6 | 93210-07802 | O-RING | 1 | | | | |
| 7 | 5MX-F530K-00 | BRAKE SHOE SET | 1 | | | | |
| 8 | 90506-12001 | SPRING, TENSION | 1 | | | | |
| 9 | 90506-15001 | SPRING, TENSION | 1 | | | | |
| 10 | 5MX-F5351-00 | CAMSHAFT | 1 | | | | |
| 11 | 5LW-F5355-00 | LEVER, CAMSHAFT | 1 | | | | |
| 12 | 5MX-F533A-00 | PLATE, INDICATOR | 1 | | | | |
| 13 | 90206-14093 | WASHER, WAVE | 1 | | | | |
| 14 | 90101-06278 | BOLT | 1 | | | | |
| 15 | 90185-14803 | NUT, SELF-LOCKING | 1 | | | | |
| 16 | 90201-20276 | WASHER, PLATE (T=1.0) | 1 | | | | |



5MX6460-D250

FIG. 25 STEERING HANDLE & CABLE

| REF. NO. | PART NO. | DESCRIPTION | 5MX6 | | | | REMARKS |
|----------|-----------------|-------------------------------|------|--|--|--|----------|
| 1 | 1P7-F6110-00 | HANDLE COMP. | 1 | | | | |
| 2 | 90105-10036 | BOLT, FLANGE | 1 | | | | |
| 3 | 90185-10808 | NUT, SELF-LOCKING | 1 | | | | |
| 4 | 2D5-F6143-00-P0 | COVER, HANDLEBAR UPPER 1 | 1 | | | | UR VRC1 |
| | 2D5-F6143-00-P1 | COVER, HANDLEBAR UPPER 1 | 1 | | | | UR DPBMC |
| | 2D5-F6143-00-33 | COVER, HANDLEBAR UPPER 1 | 1 | | | | UR YB |
| 5 | 90183-05807 | NUT, SPRING | 2 | | | | |
| 6 | 2D5-F6145-00-P0 | COVER, HANDLEBAR UPPER 2 | 1 | | | | UR VRC1 |
| | 2D5-F6145-00-P1 | COVER, HANDLEBAR UPPER 2 | 1 | | | | UR DPBMC |
| | 2D5-F6145-00-33 | COVER, HANDLEBAR UPPER 2 | 1 | | | | UR YB |
| 7 | 97707-50014 | SCREW, TAPPING | 7 | | | | |
| 8 | 97780-50014 | SCREW, TAPPING | 2 | | | | |
| 9 | 4US-F6199-00 | PLUG, BLIND | 1 | | | | |
| 10 | 5LW-F6240-00 | GRIP ASSY | 1 | | | | |
| 11 | 5TL-F6241-00 | GRIP | 1 | | | | |
| 12 | 5MX-F6280-00 | REAR VIEW MIRROR ASSY (LEFT) | 1 | | | | |
| 13 | 5MX-F6290-00 | REAR VIEW MIRROR ASSY (RIGHT) | 1 | | | | |
| 14 | 2D5-F6311-00 | CABLE, THROTTLE 1 | 1 | | | | |
| 15 | 2D5-F6351-00 | CABLE, BRAKE | 1 | | | | |
| 16 | 5MX-F637G-00 | HOLDER, WIRE | 1 | | | | |
| 17 | 5MX-F7214-00 | STOPPER | 1 | | | | |
| 18 | 98507-06040 | SCREW, PAN HEAD | 1 | | | | |
| 19 | 98507-06014 | SCREW, PAN HEAD | 1 | | | | |
| 20 | 90501-16003 | SPRING, COMPRESSION | 1 | | | | |
| 21 | 90175-06013 | NUT, WING | 1 | | | | |
| 22 | 90249-12008 | PIN | 1 | | | | |
| 23 | 2D5-F6331-00 | CABLE, STARTER 1 | 1 | | | | |

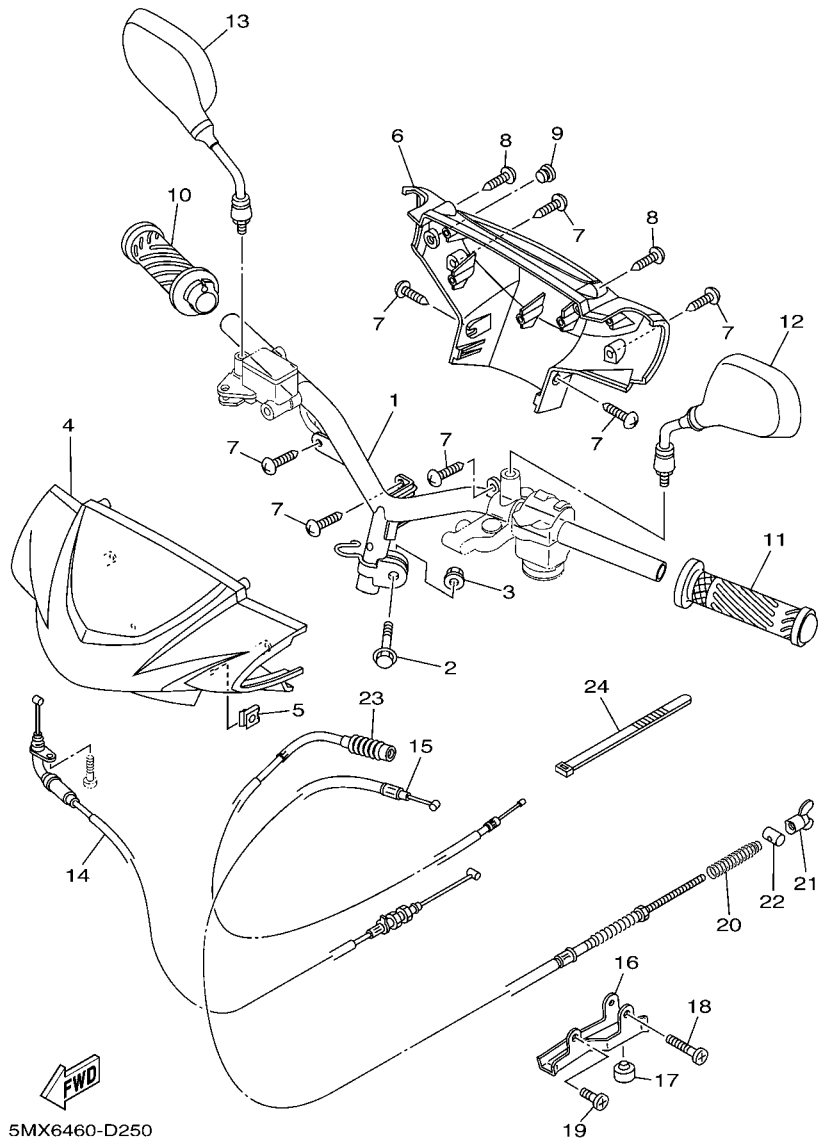


FIG. 25 STEERING HANDLE & CABLE

| REF. NO. | PART NO. | DESCRIPTION | 5MX6 | | | | REMARKS |
|----------|--------------|-------------------|------|--|--|--|---------|
| 24 | 3AY-H3936-10 | BAND, SWITCH CORD | 1 | | | | |
| | | | | | | | |
| | | | | | | | |
| | | | | | | | |
| | | | | | | | |
| | | | | | | | |
| | | | | | | | |
| | | | | | | | |
| | | | | | | | |
| | | | | | | | |

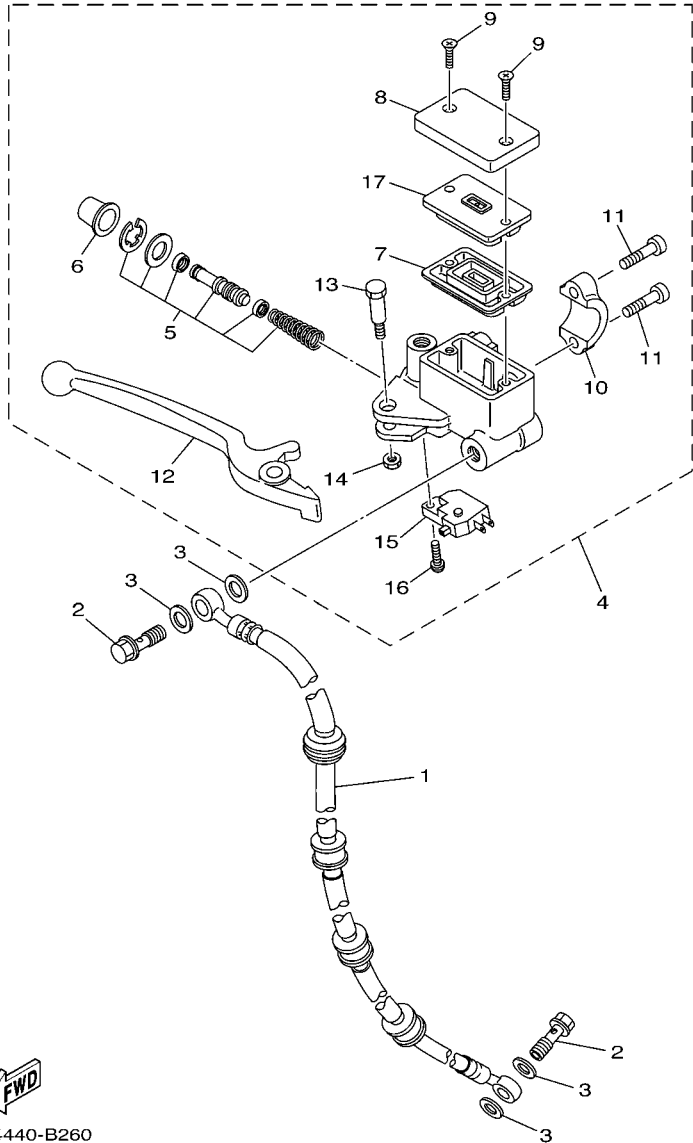


FIG. 26 FRONT MASTER CYLINDER

| REF. NO. | PART NO. | DESCRIPTION | SMX6 | | | | REMARKS |
|----------|--------------|------------------------------|------|--|--|--|---------|
| 1 | 2D5-F5872-00 | HOSE, BRAKE 1 | 1 | | | | |
| 2 | 90401-10812 | BOLT, UNION | 2 | | | | |
| 3 | 90201-10118 | WASHER, PLATE | 4 | | | | |
| 4 | 5LW-F583T-01 | MASTER CYLINDER ASSY | 1 | | | | |
| 5 | 4TT-W0041-00 | .CYLINDER KIT, MASTER | 1 | | | | LM |
| 6 | 5G2-F5868-00 | .BOOT, MASTER CYLINDER | 1 | | | | |
| 7 | 4TT-F5854-00 | .DIAPHRAGM, RESERVOIR | 1 | | | | |
| 8 | 5LW-F5852-00 | .CAP, RESERVOIR | 1 | | | | |
| 9 | 9870M-04012 | .SCREW, FLAT HEAD | 2 | | | | LM |
| 10 | 56A-F5867-00 | .BRACKET, MASTER CYLINDER | 1 | | | | |
| 11 | 5LW-F6332-00 | .BOLT | 2 | | | | LM |
| 12 | 4TT-H3922-00 | .LEVER 2 | 1 | | | | |
| 13 | 90109-06577 | .BOLT | 1 | | | | |
| 14 | 9560M-06100 | .NUT, U | 1 | | | | LM |
| 15 | 5LW-H3980-00 | .FRONT STOP SWITCH ASSY | 1 | | | | |
| 16 | 9760L-04212 | .SCREW, PAN HEAD WITH WASHER | 1 | | | | LM |
| 17 | 5LW-F585B-00 | .PLATE, DIAPHRAGM | 1 | | | | |
| | | | | | | | |
| | | | | | | | |
| | | | | | | | |
| | | | | | | | |

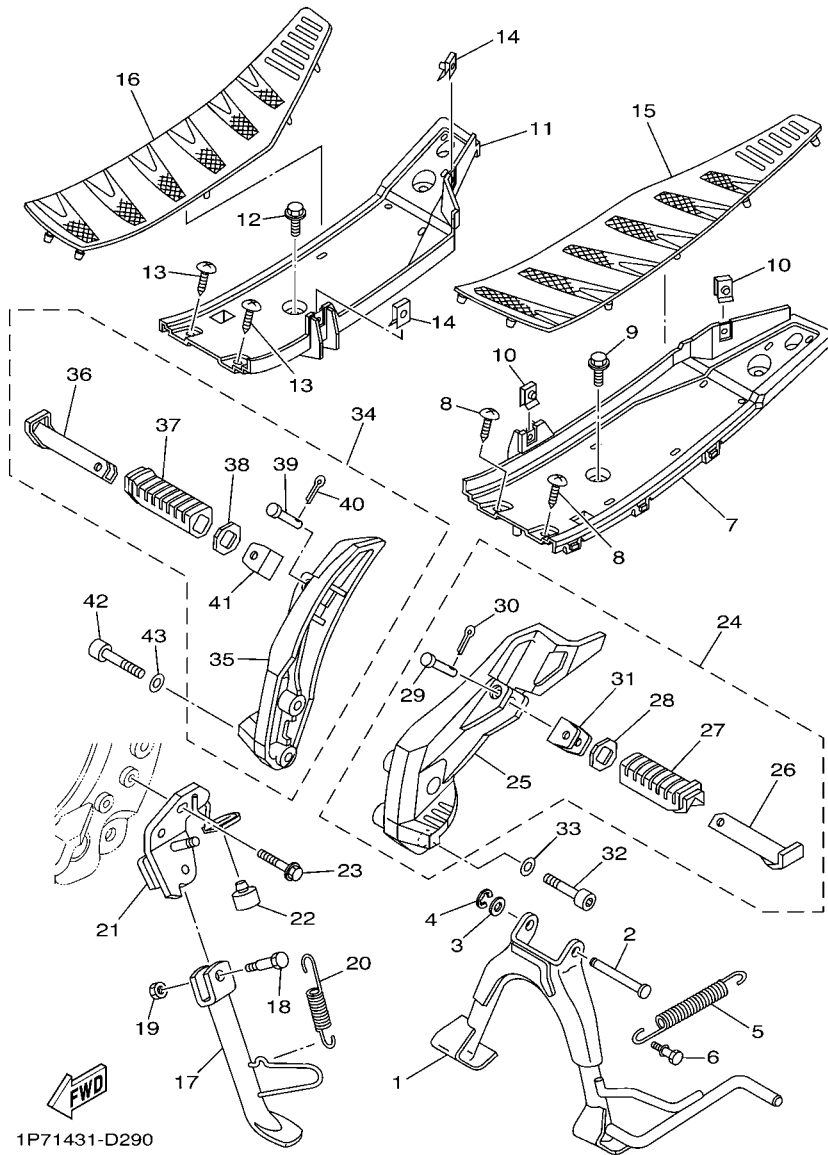


FIG. 27 STAND & FOOTREST

| REF. NO. | PART NO. | DESCRIPTION | 5MX6 | | | | REMARKS |
|----------|--------------|-----------------------|------|--|--|--|---------|
| 1 | 5MX-F7111-00 | STAND, MAIN | 1 | | | | |
| 2 | 90249-10002 | PIN | 1 | | | | |
| 3 | 90201-10119 | WASHER, PLATE | 1 | | | | |
| 4 | 99001-08600 | CIRCLIP | 1 | | | | |
| 5 | 90506-35002 | SPRING, TENSION | 1 | | | | |
| 6 | 5LW-F7254-00 | HOOK | 1 | | | | |
| 7 | 1P7-F7481-00 | BOARD, FOOTREST | 1 | | | | |
| 8 | 97707-50014 | SCREW, TAPPING | 3 | | | | |
| 9 | 90119-06044 | BOLT, WITH WASHER | 2 | | | | |
| 10 | 90183-05807 | NUT, SPRING | 3 | | | | |
| 11 | 1P7-F7488-00 | BOARD, FOOTREST 2 | 1 | | | | |
| 12 | 90119-06044 | BOLT, WITH WASHER | 2 | | | | |
| 13 | 97707-50014 | SCREW, TAPPING | 3 | | | | |
| 14 | 90183-05807 | NUT, SPRING | 3 | | | | |
| 15 | 1P7-F7483-00 | MAT 1 | 1 | | | | |
| 16 | 1P7-F7484-00 | MAT 2 | 1 | | | | |
| 17 | 5MX-F7311-00 | STAND, SIDE | 1 | | | | |
| 18 | 90109-08881 | BOLT | 1 | | | | |
| 19 | 90185-08803 | NUT, SELF-LOCKING | 1 | | | | |
| 20 | 90506-20514 | SPRING, TENSION | 1 | | | | |
| 21 | 2D5-F7321-00 | BRACKET, SIDE STAND | 1 | | | | |
| 22 | 4YY-F7114-00 | STOPPER, MAIN STAND | 1 | | | | |
| 23 | 95817-10040 | BOLT, FLANGE | 2 | | | | |
| 24 | 2D5-F7430-00 | REAR FOOTREST ASSY 1 | 1 | | | | |
| 25 | 2D5-F7452-00 | .BRACKET, FOOTREST 1 | 1 | | | | |
| 26 | 5LM-F7431-00 | .FOOTREST, REAR 1 | 1 | | | | |
| 27 | 5LM-F7433-00 | .COVER, REAR FOOTREST | 1 | | | | |

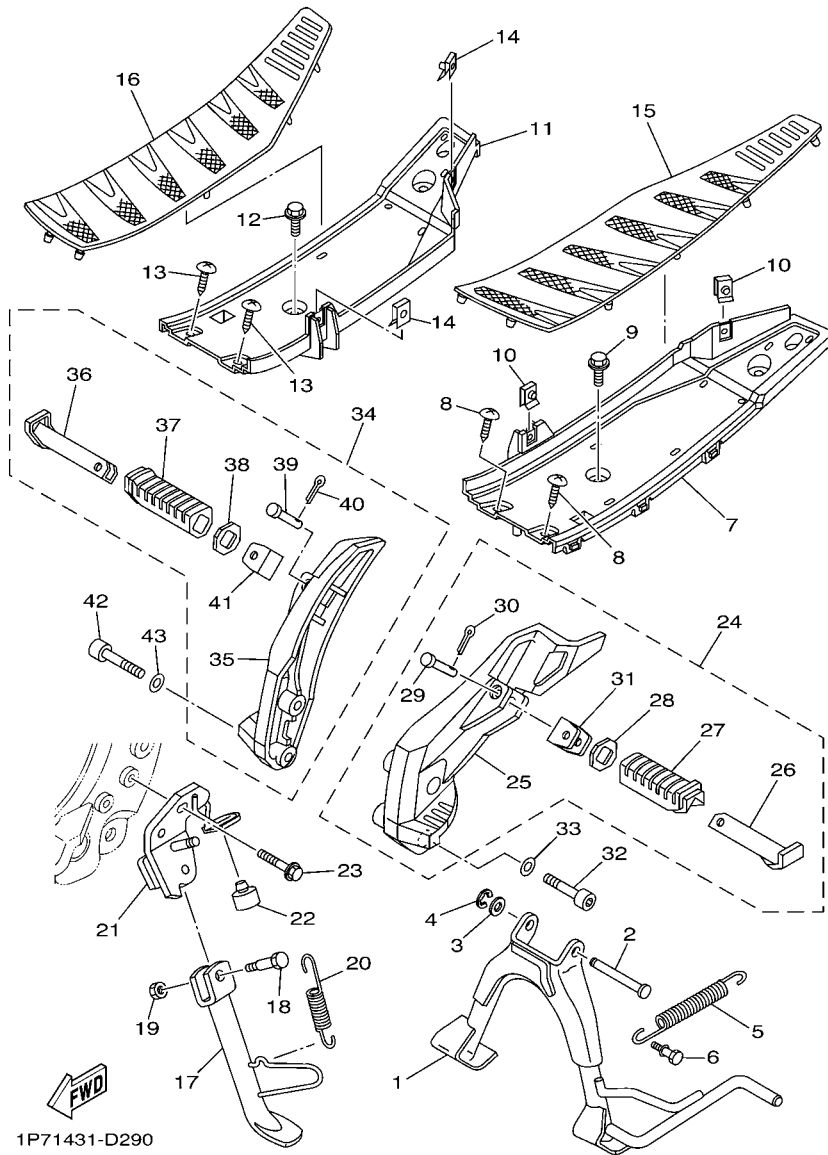
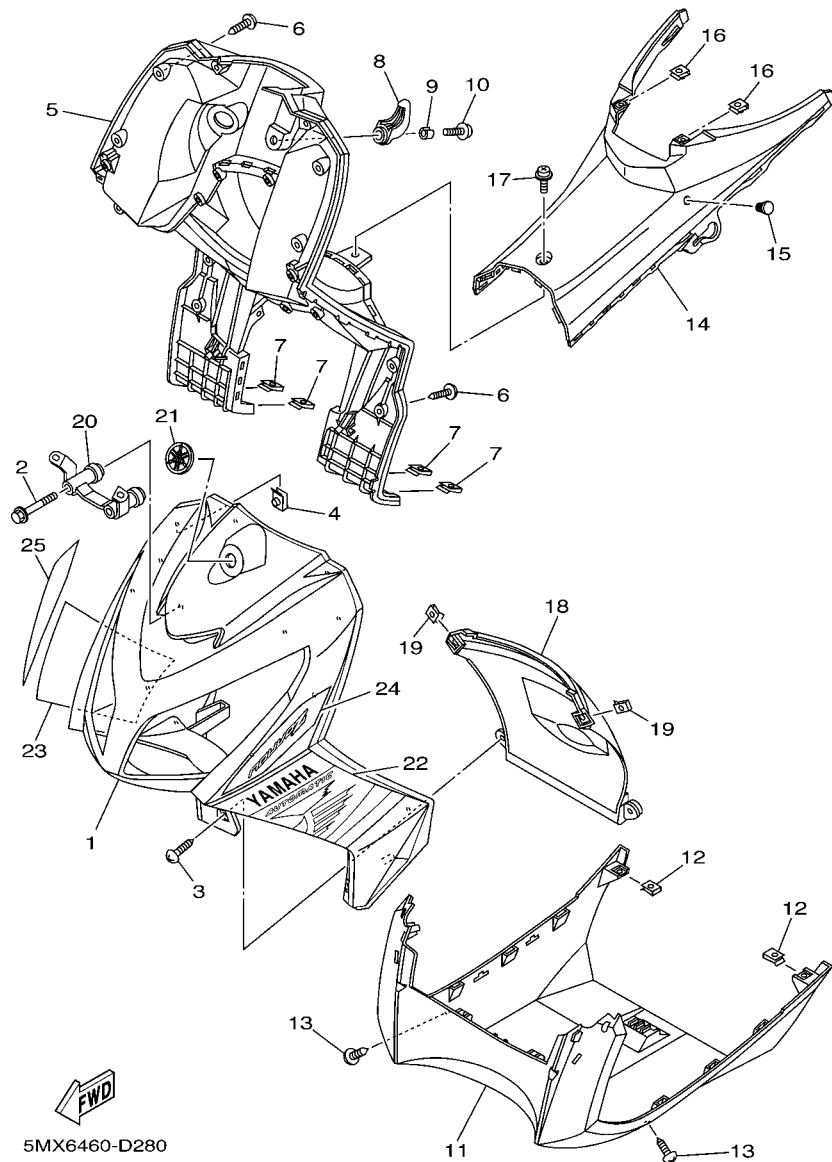


FIG. 27 STAND & FOOTREST

| REF. NO. | PART NO. | DESCRIPTION | SMX6 | | | | REMARKS |
|----------|--------------|-----------------------|------|--|--|--|---------|
| 28 | 5LM-F7445-00 | .PLATE 1 | 1 | | | | |
| 29 | 90240-08145 | .PIN, CLEVIS | 1 | | | | |
| 30 | 91401-25015 | .PIN, COTTER | 1 | | | | |
| 31 | 2D5-F7314-00 | .STOPPER | 1 | | | | |
| 32 | 91314-08050 | BOLT | 2 | | | | |
| 33 | 90201-06018 | WASHER, PLATE | 2 | | | | |
| 34 | 2D5-F7440-00 | REAR FOOTREST ASSY 2 | 1 | | | | |
| 35 | 2D5-F7462-00 | .BRACKET, FOOTREST 2 | 1 | | | | |
| 36 | 5LM-F7441-00 | .FOOTREST, REAR 2 | 1 | | | | |
| 37 | 5LM-F7444-00 | .COVER, REAR FOOTREST | 1 | | | | |
| 38 | 5LM-F7445-00 | .PLATE 1 | 1 | | | | |
| 39 | 90240-08145 | .PIN, CLEVIS | 1 | | | | |
| 40 | 91401-25015 | .PIN, COTTER | 1 | | | | |
| 41 | 2D5-F7314-00 | .STOPPER | 1 | | | | |
| 42 | 91314-08020 | BOLT | 2 | | | | |
| 43 | 90201-06018 | WASHER, PLATE | 2 | | | | |
| | | | | | | | |
| | | | | | | | |
| | | | | | | | |
| | | | | | | | |
| | | | | | | | |



5MX6460-D280

FIG. 28 LEG SHIELD

| REF. NO. | PART NO. | DESCRIPTION | 5MX6 | | REMARKS |
|----------|-----------------|-----------------------|------|--|--------------|
| 1 | 2D5-F8311-00-P0 | LEG SHIELD 1 | 1 | | UR VRC1 |
| | 2D5-F8311-00-P1 | LEG SHIELD 1 | 1 | | UR DPBMC |
| | 2D5-F8311-00-33 | LEG SHIELD 1 | 1 | | UR YB |
| 2 | 95827-06060 | BOLT, FLANGE | 2 | | |
| 3 | 97707-50014 | SCREW, TAPPING | 4 | | |
| 4 | 90183-05807 | NUT, SPRING | 13 | | |
| 5 | 2D5-F8300-00-P0 | LEG SHIELD ASSY | 1 | | UR VRC1 |
| | 2D5-F8300-00-P1 | LEG SHIELD ASSY | 1 | | UR DPBMC |
| | 2D5-F8300-00-33 | LEG SHIELD ASSY | 1 | | UR YB |
| 6 | 97707-50014 | SCREW, TAPPING | 10 | | |
| 7 | 90183-05807 | NUT, SPRING | 6 | | |
| 8 | 5LW-F8257-10 | HOOK 1 | 1 | | |
| 9 | 2D5-F8373-00 | COLLAR | 1 | | |
| 10 | 90159-06067 | SCREW, WITH WASHER | 1 | | |
| 11 | 1P7-F8385-00 | COVER, LOWER | 1 | | |
| 12 | 90183-05807 | NUT, SPRING | 2 | | |
| 13 | 97707-50014 | SCREW, TAPPING | 2 | | |
| 14 | 1P7-F842N-00 | COVER 2 | 1 | | |
| 15 | 4US-F6199-00 | PLUG, BLIND | 1 | | |
| 16 | 90183-05807 | NUT, SPRING | 2 | | |
| 17 | 90159-06817 | SCREW, WITH WASHER | 1 | | |
| 18 | 1P7-F1552-00 | FENDER, INNER | 1 | | |
| 19 | 90183-05807 | NUT, SPRING | 2 | | |
| 20 | 2D5-H454E-00 | BRACKET, NUMBER PLATE | 1 | | |
| 21 | 5MX-F3108-00 | EMBLEM | 1 | | |
| 22 | 5MX-F8391-50 | GRAPHIC 1 | 1 | | UR FOR VRC1 |
| | 5MX-F8391-60 | GRAPHIC 1 | 1 | | UR FOR DPBMC |

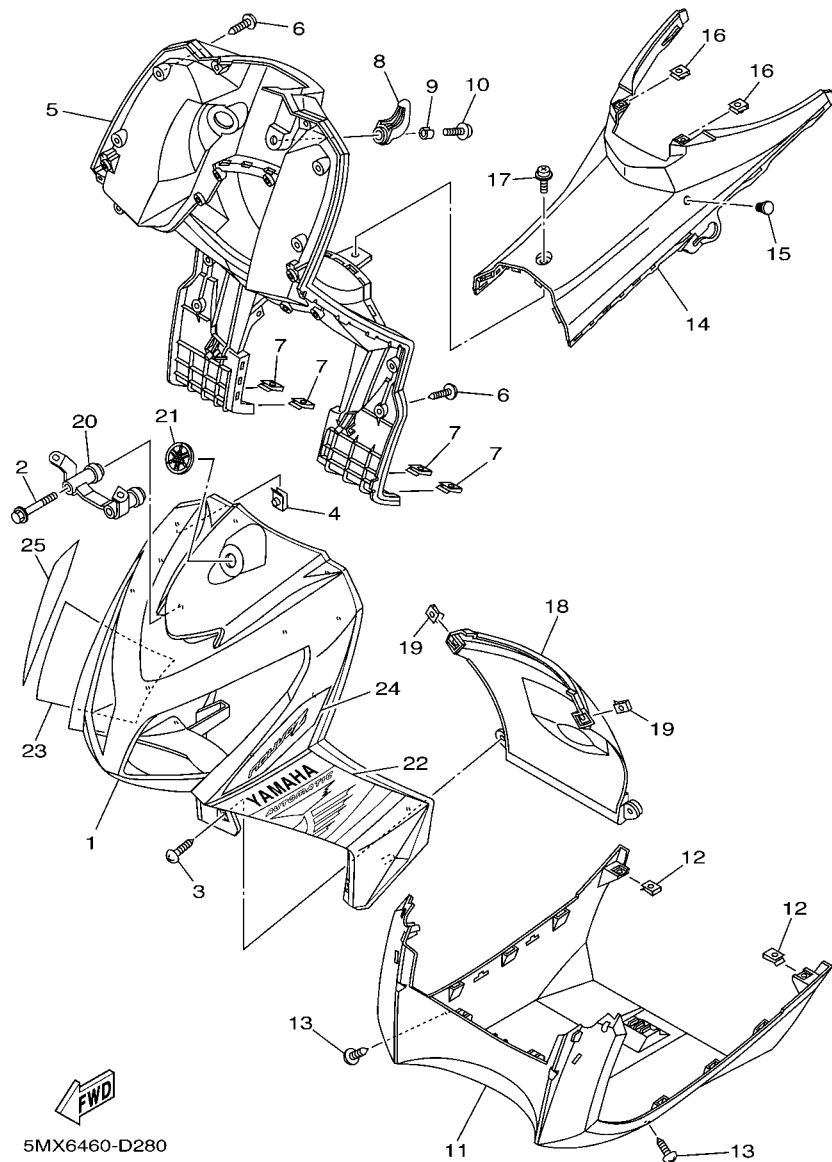
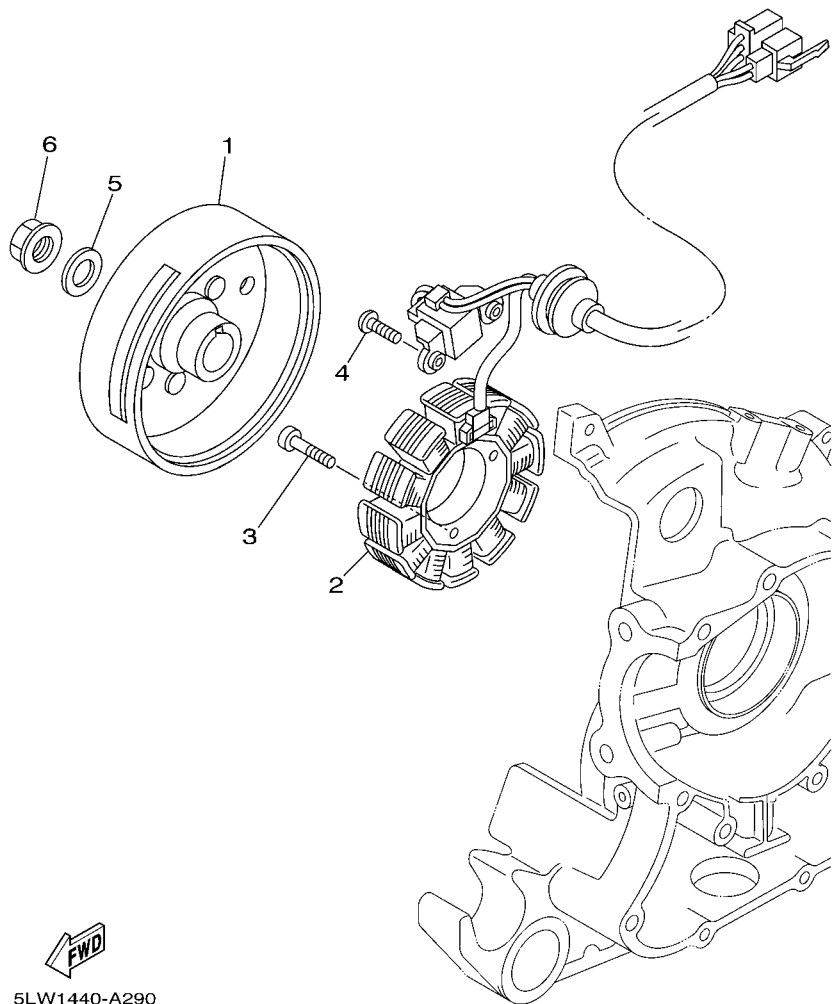


FIG. 28 LEG SHIELD

| REF. NO. | PART NO. | DESCRIPTION | 5MX6 | | | REMARKS |
|----------|--------------|-------------|------|--|--|--------------|
| 22 | 5MX-F8391-70 | GRAPHIC 1 | 1 | | | UR FOR YB |
| 23 | 5MX-F8392-50 | GRAPHIC 2 | 1 | | | UR FOR VRC1 |
| | 5MX-F8392-60 | GRAPHIC 2 | 1 | | | UR FOR DPBMC |
| | 5MX-F8392-70 | GRAPHIC 2 | 1 | | | UR FOR YB |
| 24 | 5MX-F8393-20 | GRAPHIC 3 | 1 | | | UR FOR VRC1 |
| | 5MX-F8393-30 | GRAPHIC 3 | 1 | | | UR FOR DPBMC |
| | 5MX-F8393-40 | GRAPHIC 3 | 1 | | | UR FOR YB |
| 25 | 5MX-F8394-20 | GRAPHIC 4 | 1 | | | UR FOR VRC1 |
| | 5MX-F8394-30 | GRAPHIC 4 | 1 | | | UR FOR DPBMC |
| | 5MX-F8394-40 | GRAPHIC 4 | 1 | | | UR FOR YB |
| <hr/> | | | | | | |
| <hr/> | | | | | | |
| <hr/> | | | | | | |
| <hr/> | | | | | | |
| <hr/> | | | | | | |
| <hr/> | | | | | | |
| <hr/> | | | | | | |
| <hr/> | | | | | | |
| <hr/> | | | | | | |

FIG. 29 GENERATOR



5LW1440-A290

| REF. NO. | PART NO. | DESCRIPTION | 5MX6 | | | | REMARKS |
|----------|--------------|-----------------|------|--|--|--|---------|
| 1 | 5LW-H1450-01 | ROTOR ASSY | 1 | | | | |
| 2 | 5LW-H1410-00 | STATOR ASSY | 1 | | | | |
| 3 | 91317-06020 | BOLT | 3 | | | | |
| 4 | 98507-06016 | SCREW, PAN HEAD | 2 | | | | |
| 5 | 90201-12688 | WASHER, PLATE | 1 | | | | |
| 6 | 90179-12248 | NUT | 1 | | | | |
| ----- | | | | | | | |
| ----- | | | | | | | |
| ----- | | | | | | | |
| ----- | | | | | | | |
| ----- | | | | | | | |
| ----- | | | | | | | |
| ----- | | | | | | | |

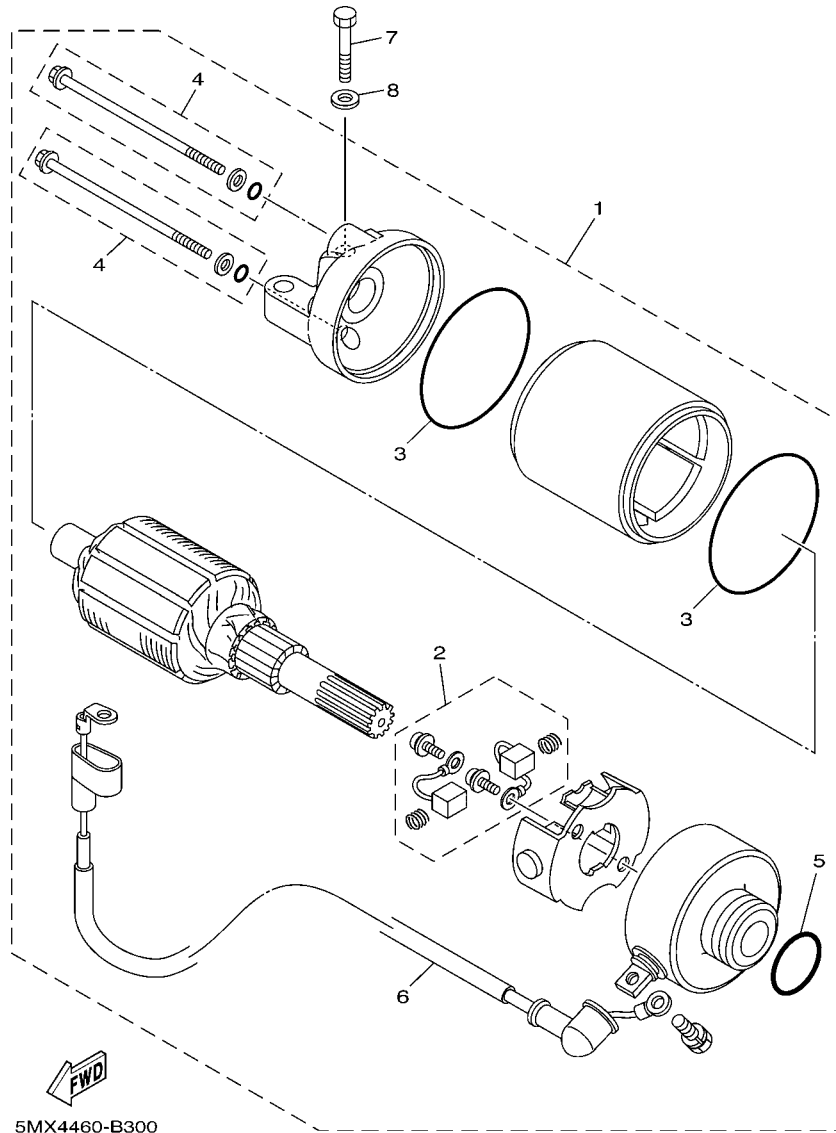
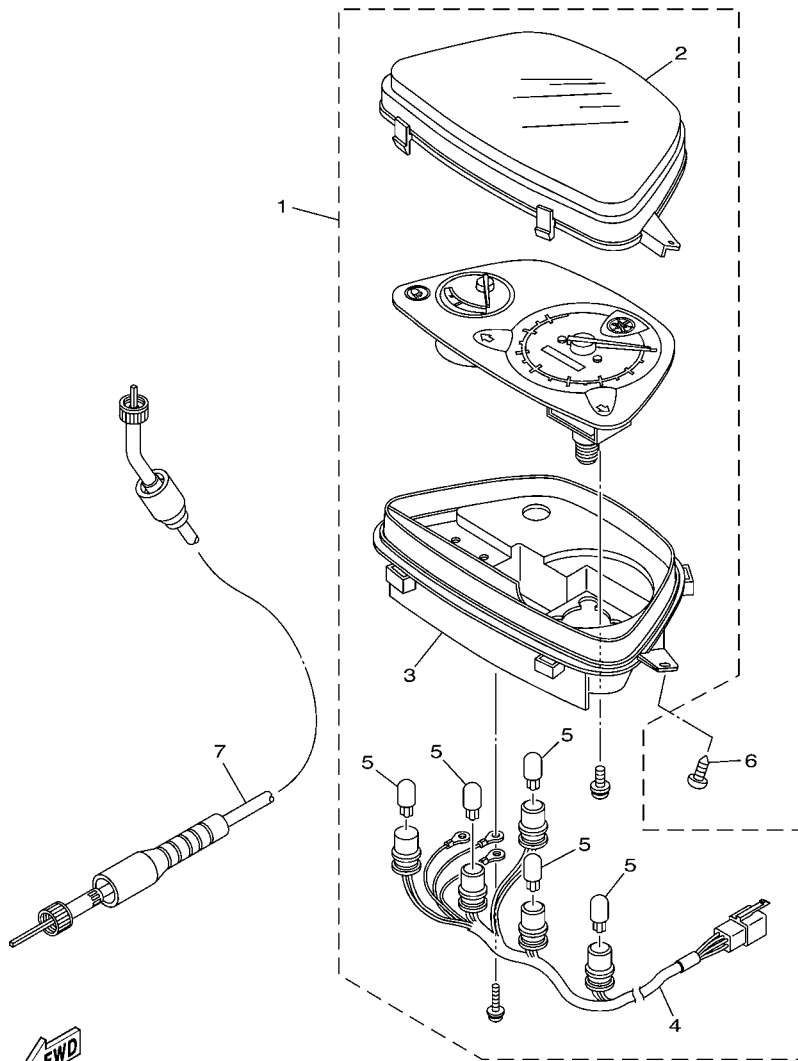


FIG. 30 STARTING MOTOR

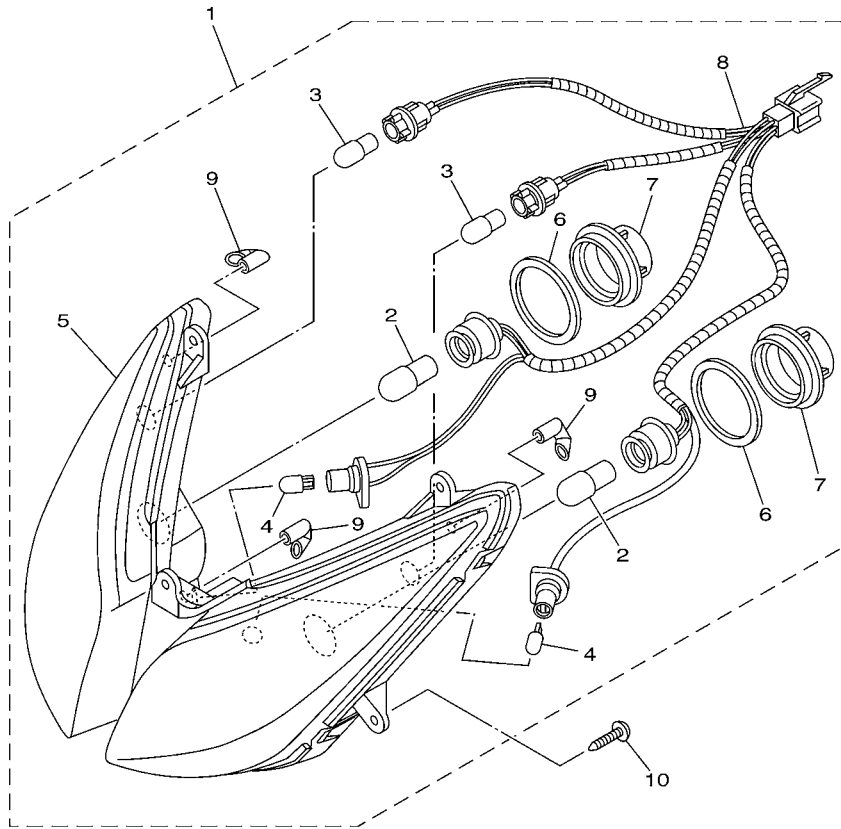
| REF. NO. | PART NO. | DESCRIPTION | 5MX6 | | | | REMARKS |
|----------|--------------|---------------------|------|--|--|--|---------|
| 1 | 5LW-H1800-02 | STARTING MOTOR ASSY | 1 | | | | |
| 2 | 3KW-H1801-00 | .BRUSH SET | 1 | | | | |
| 3 | 93210-55669 | .O-RING | 2 | | | | |
| 4 | 3UH-H1828-01 | .BOLT 2 | 2 | | | | |
| 5 | 93210-26668 | .O-RING | 1 | | | | |
| 6 | 5LW-H183G-00 | .CORD COMP. | 1 | | | | |
| 7 | 97007-06025 | BOLT | 2 | | | | |
| 8 | 92907-06600 | WASHER, PLATE | 2 | | | | |
| | | | | | | | |
| | | | | | | | |
| | | | | | | | |
| | | | | | | | |
| | | | | | | | |
| | | | | | | | |



1P71431-D330

FIG. 31 METER

| REF. NO. | PART NO. | DESCRIPTION | 5MX6 | | | | REMARKS |
|----------|--------------|------------------------|------|--|--|--|---------|
| 1 | 2D5-H3510-00 | SPEEDOMETER ASSY | 1 | | | | |
| 2 | 5MY-H3511-00 | .LENS, SPEEDOMETER | 1 | | | | |
| 3 | 5MY-H353F-00 | .CASE, METER LOWER | 1 | | | | |
| 4 | 2D5-H3509-00 | .SOCKET CORD ASSY | 1 | | | | |
| 5 | 1YT-83517-00 | .BULB (12V-1.7W T10) | 5 | | | | |
| 6 | 97707-50014 | SCREW, TAPPING | 3 | | | | |
| 7 | 2D5-H3550-00 | SPEEDOMETER CABLE ASSY | 1 | | | | |
| | | | | | | | |
| | | | | | | | |
| | | | | | | | |
| | | | | | | | |
| | | | | | | | |
| | | | | | | | |
| | | | | | | | |
| | | | | | | | |



5MX6460-D320

FIG. 32 HEADLIGHT

| REF. NO. | PART NO. | DESCRIPTION | 5MX6 | | | | REMARKS |
|----------|--------------|-------------------------------|------|--|--|--|---------|
| 1 | 2D5-H4300-00 | HEADLIGHT ASSY | 1 | | | | |
| 2 | 5LL-H4314-00 | .BULB, HEADLIGHT (12V 25/25W) | 2 | | | | |
| 3 | 5LL-H3311-00 | .BULB, FLASHER (12V-10W) | 2 | | | | |
| 4 | 2D5-H4147-00 | .BULB, PILOT LIGHT (12V-3.4W) | 2 | | | | |
| 5 | 2D5-H430A-00 | .HEADLIGHT UNIT ASSY | 1 | | | | |
| 6 | 1P7-H466J-00 | .O-RING 3 | 2 | | | | |
| 7 | 2D5-H4397-00 | .COVER, SOCKET | 2 | | | | |
| 8 | 2D5-H4312-00 | .HOLDER, SOCKET | 1 | | | | |
| 9 | 1P7-H411V-00 | .CAP | 3 | | | | |
| 10 | 97707-50014 | SCREW, TAPPING | 5 | | | | |

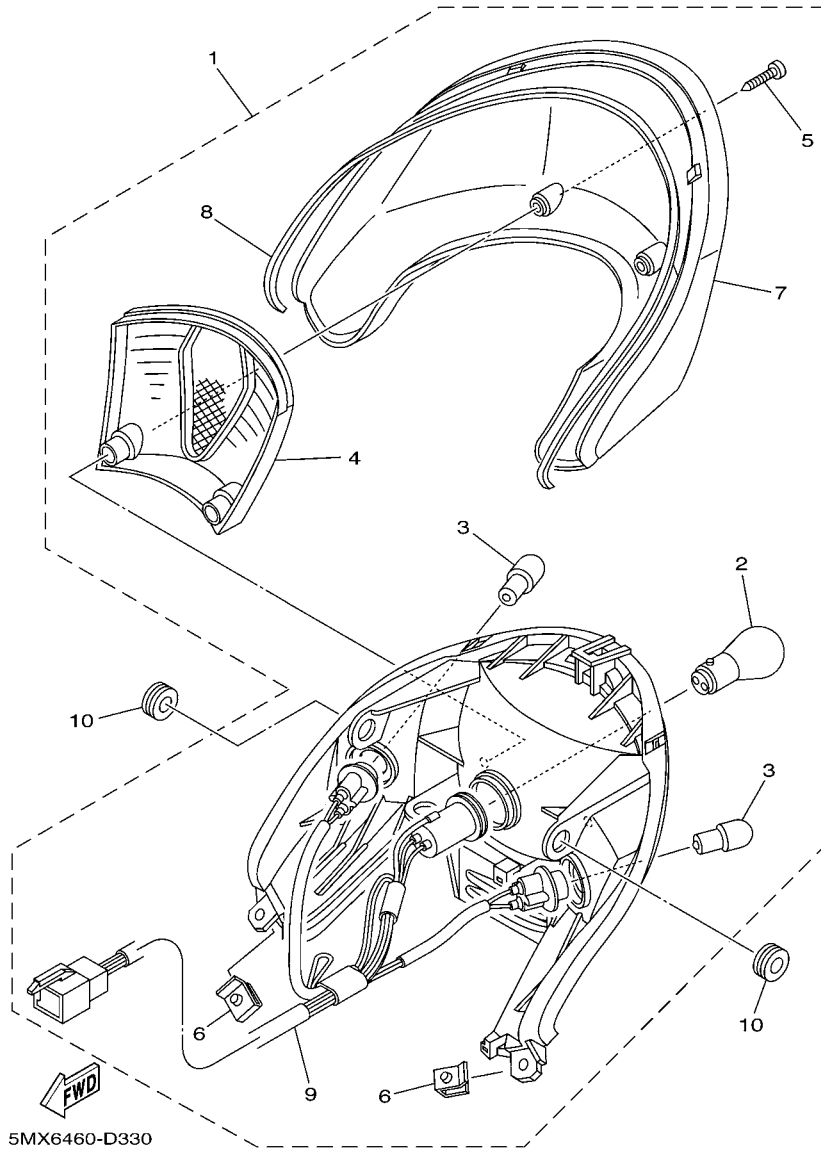
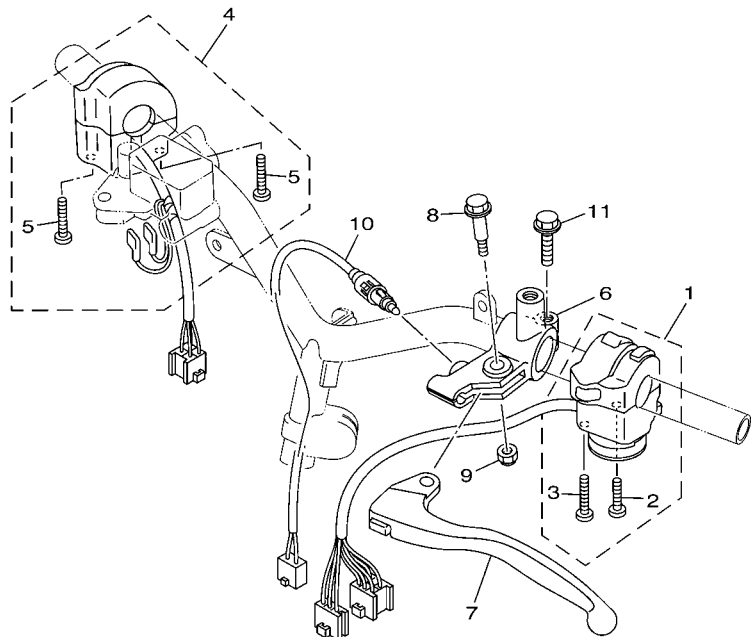


FIG. 33 TAILLIGHT

| REF. NO. | PART NO. | DESCRIPTION | 5MX6 | | | | REMARKS |
|----------|--------------|--------------------------|------|--|--|--|---------|
| 1 | 2D5-H4700-00 | TAILLIGHT ASSY | 1 | | | | |
| 2 | 4AC-H4714-00 | .BULB (12V-21/5W) | 1 | | | | |
| 3 | 5HV-H3311-00 | .BULB, FLASHER (12V-10W) | 2 | | | | AMBER |
| 4 | 2D5-H4721-00 | .LENS, TAILLIGHT | 1 | | | | |
| 5 | 9770L-40620 | .SCREW, TAPPING | 2 | | | | |
| 6 | 90183-05807 | .NUT, SPRING | 2 | | | | |
| 7 | 1P7-H4743-00 | .LENS, LICENCE LIGHT | 1 | | | | |
| 8 | 1P7-H4723-00 | .GASKET, TAIL LENS | 1 | | | | |
| 9 | 1P7-H4735-00 | .CORD ASSY | 1 | | | | |
| 10 | 90480-13428 | GROMMET | 2 | | | | |



5MX6460-D340

FIG. 34 HANDLE SWITCH & LEVER

| REF. NO. | PART NO. | DESCRIPTION | 5MX6 | | | REMARKS |
|----------|--------------|------------------------|------|--|--|---------|
| 1 | 5MX-H3972-11 | SWITCH, HANDLE 4 | 1 | | | |
| 2 | 9850M-05030 | .SCREW, PAN HEAD | 1 | | | |
| 3 | 9850M-05040 | .SCREW, PAN HEAD | 1 | | | |
| 4 | 5LW-H3976-00 | SWITCH, HANDLE 1 | 1 | | | |
| 5 | 9850M-05050 | .SCREW, PAN HEAD | 2 | | | |
| 6 | 5LW-H2911-00 | HOLDER, LEVER 1 | 1 | | | |
| 7 | 5LW-H3912-00 | LEVER 1 | 1 | | | |
| 8 | 90109-06799 | BOLT | 1 | | | |
| 9 | 95607-06100 | NUT, U | 1 | | | |
| 10 | 4ST-H3980-00 | FRONT STOP SWITCH ASSY | 1 | | | |
| 11 | 95027-06025 | BOLT, FLANGE | 1 | | | |
| | | | | | | |
| | | | | | | |
| | | | | | | |
| | | | | | | |
| | | | | | | |
| | | | | | | |

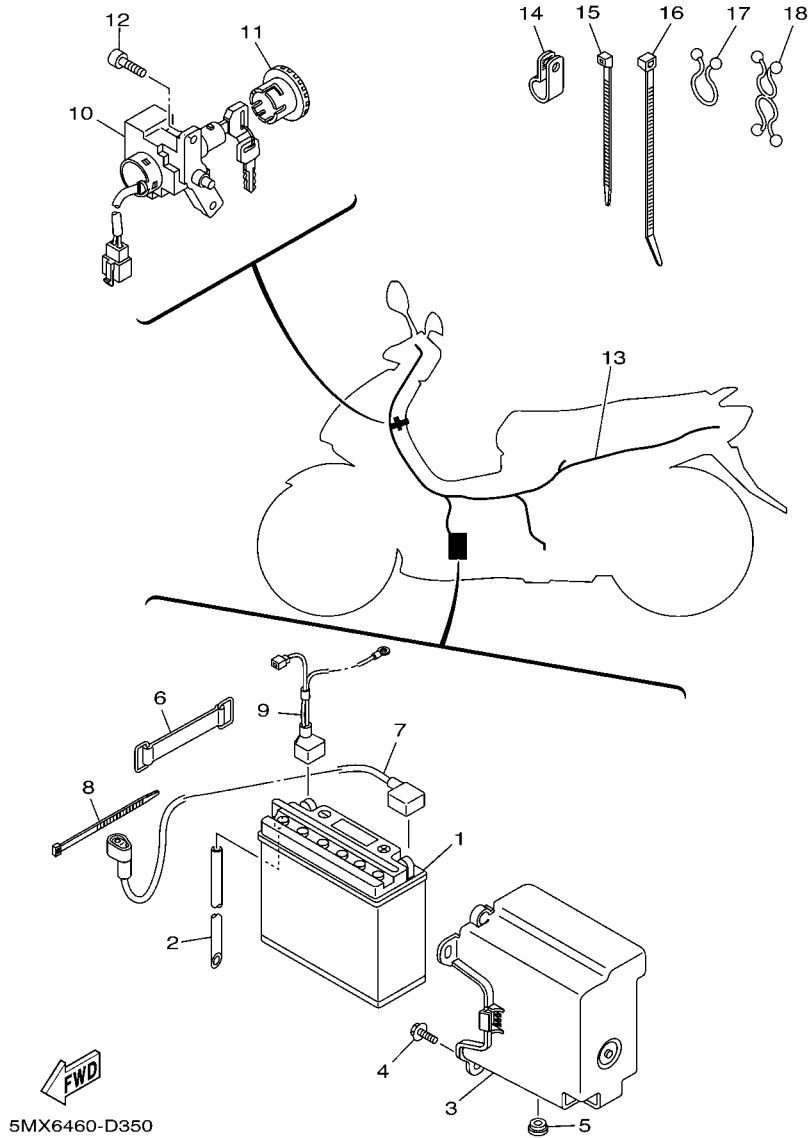
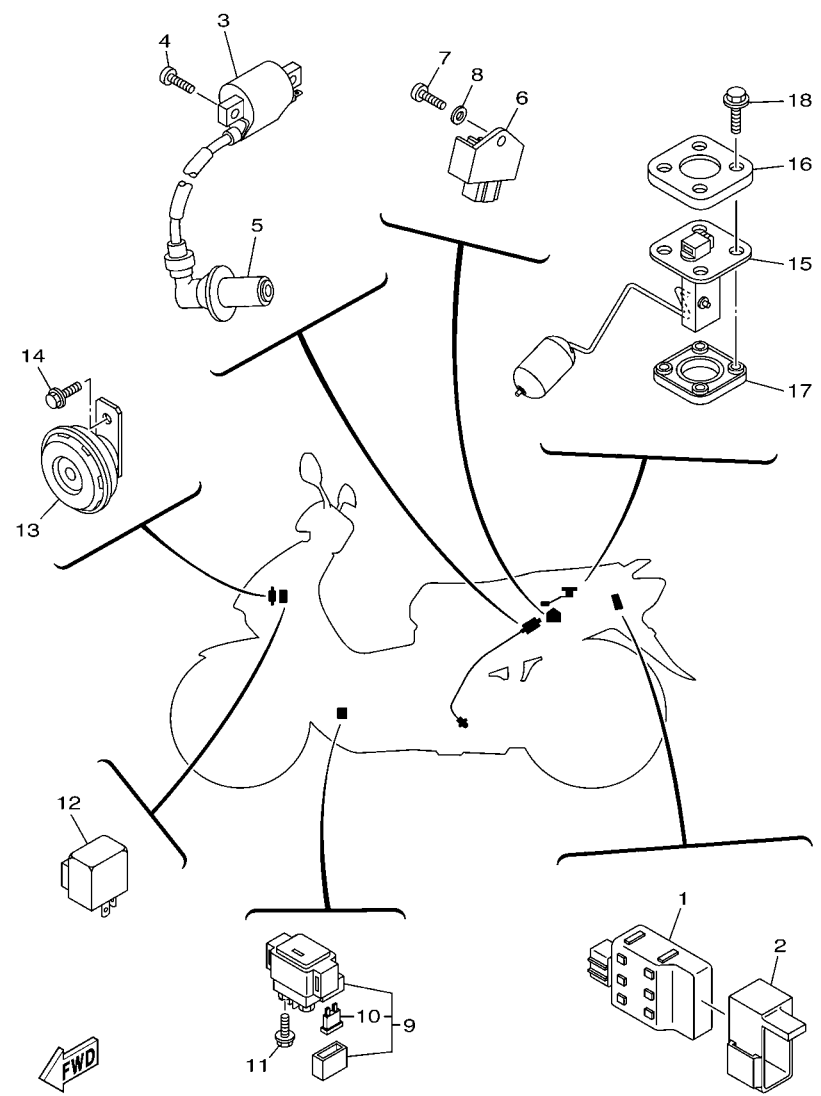


FIG. 35 ELECTRICAL 1

| REF. NO. | PART NO. | DESCRIPTION | 5MX6 | | | | REMARKS |
|----------|--------------|-----------------------------|------|--|--|--|---------|
| 1 | 5MX-H2110-00 | BATTERY ASSY (YUASA YB7B-B) | 1 | | | | |
| 2 | 90445-08810 | HOSE | 1 | | | | |
| 3 | 5MX-H212B-00 | BOX, BATTERY 1 | 1 | | | | |
| 4 | 90119-06044 | BOLT, WITH WASHER | 2 | | | | |
| 5 | 90480-13867 | GROMMET | 1 | | | | |
| 6 | 5MX-H2131-00 | BAND, BATTERY | 1 | | | | |
| 7 | 5MX-H2115-01 | WIRE, PLUS LEAD | 1 | | | | |
| 8 | 3RS-H3936-00 | BAND, SWITCH CORD | 1 | | | | |
| 9 | 2D5-H2116-00 | WIRE, MINUS LEAD | 1 | | | | |
| 10 | 2D5-H2501-00 | MAIN SWITCH STEERING LOCK | 1 | | | | |
| 11 | 5MX-H2552-00 | CAP, SWITCH | 1 | | | | |
| 12 | 91317-06014 | BOLT | 2 | | | | |
| 13 | 2D5-H2590-00 | WIRE HARNESS ASSY | 1 | | | | |
| 14 | 90461-11099 | CLAMP | 1 | | | | |
| 15 | 90465-13152 | CLAMP | 2 | | | | |
| 16 | 90464-70800 | CLAMP | 4 | | | | |
| 17 | 90464-16801 | CLAMP | 2 | | | | |
| 18 | 90464-14807 | CLAMP | 1 | | | | |
| | | | | | | | |
| | | | | | | | |
| | | | | | | | |
| | | | | | | | |



5MX6460-D360

FIG. 36 ELECTRICAL 2

| REF. NO. | PART NO. | DESCRIPTION | 5MX6 | | | | REMARKS |
|----------|--------------|----------------------------|------|--|--|--|---------|
| 1 | 5TL-H5540-00 | C.D.I. UNIT ASSY | 1 | | | | |
| 2 | 2D5-H5546-00 | BAND | 1 | | | | |
| 3 | 5LW-H2310-00 | IGNITION COIL ASSY | 1 | | | | |
| 4 | 98507-06018 | SCREW,PAN HEAD | 2 | | | | |
| 5 | 5MX-H2370-00 | PLUG CAP ASSY | 1 | | | | |
| 6 | 5TL-H1960-00 | RECTIFIER & REGULATOR ASSY | 1 | | | | |
| 7 | 98507-06016 | SCREW, PAN HEAD | 1 | | | | |
| 8 | 92907-06600 | WASHER, PLATE | 1 | | | | |
| 9 | 5MX-H1940-00 | STARTER RELAY ASSY | 1 | | | | |
| 10 | 42X-82151-00 | .FUSE (10A-BL) | 2 | | | | |
| 11 | 95027-06008 | BOLT, FLANGE | 2 | | | | |
| 12 | 3WE-H3350-00 | FLASHER RELAY ASSY | 1 | | | | |
| 13 | 5MX-H3371-00 | HORN | 1 | | | | |
| 14 | 95807-06010 | BOLT, FLANGE | 1 | | | | |
| 15 | 5MX-H5752-00 | SENDER | 1 | | | | |
| 16 | 5ER-H5757-00 | RETAINER | 1 | | | | |
| 17 | 4US-H5753-00 | GASKET, SENDER UNIT | 1 | | | | |
| 18 | 90119-05071 | BOLT, WITH WASHER | 4 | | | | |

NUMERICAL INDEX

| PART NO. | REF. NO. | PART NO. | REF. NO. | PART NO. | REF. NO. | PART NO. | REF. NO. | PART NO. | REF. NO. | PART NO. | REF. NO. |
|--------------|----------|--------------|----------|--------------|----------|--------------|----------|-----------------|----------|-----------------|----------|
| 5LW-11133-10 | 1 - 3 | 4X8-24512-00 | 20 - 10 | 5LW-E2658-00 | 6 - 2 | 5LW-E5371-01 | 11 - 5 | 2D5-F1110-00 | 15 - 1 | 3AY-F3145-00 | 19 - 14 |
| 5LW-11134-10 | 1 - 4 | 5LW-24780-00 | 21 - 11 | 5LW-E2659-02 | 6 - 6 | 5LW-E5373-01 | 10 - 6 | 2D5-F117M-00 | 15 - 17 | 2JG-F3147-00 | 19 - 13 |
| 33M-12117-00 | 3 - 7 | 5JW-25914-00 | 23 - 6 | 5LW-E2668-02 | 6 - 7 | 5MX-E5379-00 | 11 - 27 | 5MX-F1410-00 | 15 - 2 | 5LM-F3152-00 | 19 - 7 |
| 1AA-12118-00 | 3 - 6 | 4TT-25919-00 | 23 - 9 | 5LW-E3185-00 | 1 - 10 | 5LW-E5404-00 | 11 - 23 | 5MX-F1459-00 | 15 - 9 | 1T8-F3156-00 | 19 - 15 |
| 22F-12151-10 | 3 - 8 | 4TT-25937-00 | 23 - 7 | 5LW-E3300-10 | 5 - 1 | 5LW-E5407-01 | 11 - 15 | 5MX-F1481-00 | 15 - 3 | 2JG-F3157-00 | 19 - 6 |
| 22F-12159-00 | 3 - 9 | 42X-82151-00 | 36 - 10 | 5TL-E3324-00 | 2 - 10 | 5LW-E5408-00 | 11 - 24 | 2D5-F1511-00-33 | 16 - 1 | 509-F3158-L0 | 19 - 8 |
| 5LW-14103-00 | 8 - 23 | 1YT-83517-00 | 31 - 5 | 5LW-E3325-00 | 5 - 6 | 5LW-E5411-00 | 11 - 1 | 2D5-F1511-00-P0 | 16 - 1 | 5MX-F3170-00 | 19 - 5 |
| 5LW-14105-00 | 8 - 25 | 5MX-E1102-00 | 1 - 1 | 5LW-E3411-00 | 5 - 10 | 5LW-E5413-00 | 11 - 36 | 2D5-F1511-00-P1 | 16 - 1 | 278-F3181-50 | 19 - 9 |
| 5MY-1410A-00 | 8 - 16 | 5LW-E111F-00 | 4 - 12 | 5LW-E3416-00 | 10 - 19 | 5LW-E5417-00 | 10 - 11 | 4ST-F1518-00 | 16 - 4 | 5MX-F3340-00 | 19 - 17 |
| 5LW-14112-00 | 8 - 38 | 5MX-E1145-00 | 4 - 4 | 5LW-E3452-00 | 2 - 7 | 5LW-E5421-00 | 10 - 25 | 1P7-F1552-00 | 28 - 18 | 5LM-F3346-00 | 19 - 16 |
| 5LW-14141-13 | 8 - 31 | 5LW-E1155-00 | 1 - 11 | 5MX-E3474-01 | 7 - 6 | 5MX-E5451-00 | 11 - 2 | 5LW-F1553-00 | 16 - 5 | 3XA-F3416-00 | 19 - 24 |
| 5LW-14142-17 | 8 - 29 | 5LW-E1165-00 | 1 - 9 | 5LW-E3475-00 | 5 - 7 | 5MX-E5453-00 | 10 - 14 | 1P7-F1611-00 | 16 - 7 | 2D5-F4110-00 | 20 - 1 |
| 3UH-14146-00 | 8 - 28 | 5LW-E1181-00 | 1 - 19 | 5MX-E3556-10 | 7 - 3 | 5LW-E5461-00 | 10 - 26 | 5MX-F1691-00 | 21 - 21 | 2D5-F414A-00 | 20 - 15 |
| 5HK-14147-00 | 8 - 9 | 5LW-E1185-00 | 1 - 8 | 5LW-E3569-00 | 6 - 15 | 5LW-E5471-00 | 11 - 16 | 2D5-F1711-00-35 | 17 - 1 | 5MX-F4311-01 | 20 - 3 |
| 5LW-14147-00 | 8 - 40 | 4ST-E1186-00 | 1 - 14 | 5MX-E3575-01 | 7 - 18 | 5LW-E5472-00 | 11 - 17 | 2D5-F171E-00-P0 | 17 - 16 | 5MX-F4312-00 | 20 - 4 |
| 3G2-1414A-71 | 8 - 5 | 5LW-E1310-00 | 1 - 23 | 5LW-E3585-00 | 7 - 1 | 5LW-E5473-00 | 11 - 19 | 2D5-F1721-00-35 | 17 - 5 | 4TT-F4500-00 | 20 - 9 |
| 5LW-14150-00 | 8 - 30 | 5MX-E1351-00 | 1 - 24 | 5MX-E3595-10 | 7 - 2 | 5LW-E5475-00 | 11 - 21 | 2D5-F1731-00-P0 | 17 - 10 | 4YY-F4610-00 | 20 - 13 |
| 3RW-14174-00 | 8 - 17 | 5MX-E1391-00 | 10 - 20 | 5LW-E3769-00 | 10 - 32 | 5MX-E5491-00 | 11 - 35 | 5MX-F173E-50 | 17 - 18 | 4YY-F4612-00 | 20 - 14 |
| 353-14186-00 | 8 - 10 | 5TL-E1400-10 | 2 - 1 | 5LW-E4411-01 | 7 - 7 | 5LW-E5492-00 | 11 - 25 | 5MX-F173E-60 | 17 - 18 | 2D5-F470F-00 | 21 - 2 |
| 5LW-14191-00 | 8 - 15 | 5TL-E1412-10 | 2 - 2 | 5LW-E4412-00 | 7 - 8 | 5LW-E5494-00 | 11 - 39 | 5MX-F173F-50 | 17 - 19 | 5MX-F4726-00 | 21 - 6 |
| 3L7-14197-00 | 8 - 26 | 5TL-E1422-10 | 2 - 6 | 5LW-E4417-00 | 7 - 17 | 5MX-E5495-00 | 11 - 28 | 5MX-F173F-50 | 17 - 19 | 2D5-F4728-00 | 21 - 3 |
| 4JG-14261-00 | 8 - 27 | 5MX-E1603-00 | 2 - 15 | 5LW-E4435-00 | 7 - 14 | 5TL-E5524-00 | 12 - 1 | 5MX-F173F-60 | 17 - 19 | 2D5-F4730-00 | 21 - 1 |
| 5LW-14261-00 | 8 - 35 | 5MX-E1605-00 | 2 - 15 | 4ST-E443E-00 | 11 - 6 | 5LW-E5532-00 | 12 - 8 | 5MX-F173F-70 | 17 - 19 | 5LW-F473R-10 | 21 - 15 |
| 5HK-14275-00 | 8 - 19 | 5MX-E1607-00 | 2 - 15 | 5VW-E5570-00 | 7 - 15 | 5VW-E5570-00 | 12 - 4 | 2D5-F1741-00-P0 | 17 - 13 | 5MX-F4747-00 | 21 - 19 |
| 5AP-14280-00 | 8 - 18 | 5MX-E1631-00 | 2 - 12 | 5LW-E4449-00 | 7 - 13 | 5MX-E5601-10 | 12 - 10 | 5MX-F174G-50 | 17 - 20 | 5MX-F475M-00 | 21 - 16 |
| 583-14561-00 | 8 - 4 | 5MX-E1633-10 | 2 - 13 | 5LW-E4451-00 | 7 - 10 | 5MX-E5620-00 | 12 - 16 | 5MX-F174G-60 | 17 - 20 | 2D5-F4773-00-35 | 21 - 13 |
| 5LW-14589-00 | 8 - 34 | 5MX-E1636-00 | 2 - 12 | 5LW-E4452-00 | 7 - 11 | 5TL-E5650-00 | 12 - 5 | 5MX-F174G-70 | 17 - 20 | 2D5-F478E-00 | 21 - 9 |
| 5LW-1490J-00 | 8 - 2 | 5MX-E1638-00 | 2 - 12 | 5LW-E4453-00 | 7 - 12 | 5MX-E5657-00 | 13 - 20 | 5MX-F174H-50 | 17 - 21 | 2D5-F5168-00-35 | 22 - 1 |
| 5LW-14919-00 | 8 - 32 | 5MX-E1651-01 | 2 - 5 | 2D5-E4610-00 | 9 - 1 | 5MX-E5670-00 | 12 - 18 | 5MX-F174H-60 | 17 - 21 | 5MX-F5181-00 | 15 - 11 |
| 5LW-14919-10 | 8 - 33 | 5MX-E1681-10 | 2 - 3 | 5MX-E4613-00 | 9 - 8 | 5MX-E5673-00 | 12 - 19 | 5MX-F174H-70 | 17 - 21 | 3AY-F5181-01 | 22 - 8 |
| 5AP-14940-00 | 8 - 20 | 5LW-E2111-00 | 3 - 1 | 5MX-E4710-20 | 9 - 2 | 5LW-E6111-00 | 13 - 1 | 5MX-F174J-20 | 17 - 22 | 5MX-F5190-00 | 22 - 11 |
| 5HK-14985-00 | 8 - 3 | 5MX-E2113-00 | 3 - 5 | 5MX-E4714-00 | 9 - 11 | 5TL-E6611-00 | 13 - 24 | 5MX-F174J-30 | 17 - 22 | 5MX-F530K-00 | 24 - 7 |
| 5LW-14994-00 | 8 - 39 | 5MX-E2116-00 | 3 - 4 | 2D5-E4718-00 | 9 - 3 | 5TL-E6620-00 | 13 - 23 | 5MX-F174J-40 | 17 - 22 | 5LW-F5326-01 | 24 - 4 |
| 5LW-15479-00 | 11 - 22 | 5MX-E2119-00 | 3 - 3 | 2D5-E4728-00 | 9 - 6 | 5MX-E7211-10 | 14 - 7 | 5MX-F174K-20 | 17 - 23 | 2D5-F5338-00-35 | 24 - 1 |
| 5LW-15521-00 | 12 - 6 | 5LW-E2121-00 | 3 - 2 | 5MX-E4901-10 | 8 - 1 | 5MX-E7410-10 | 14 - 1 | 5MX-F174K-30 | 17 - 23 | 5MX-F533A-00 | 24 - 12 |
| 5LW-15659-01 | 11 - 8 | 4ST-E2156-00 | 3 - 11 | 5LW-E4987-00 | 1 - 25 | 5MX-E7421-10 | 14 - 6 | 5MX-F174K-40 | 17 - 23 | 5MX-F5351-00 | 24 - 10 |
| 5LW-17632-00 | 13 - 12 | 4CW-E2157-00 | 4 - 15 | 5LW-E5113-00 | 10 - 30 | 5TL-E7465-00 | 13 - 27 | 2D5-F176E-00 | 17 - 6 | 5LW-F5355-00 | 24 - 11 |
| 5LW-17653-00 | 13 - 14 | 5LW-E2170-10 | 4 - 1 | 5LW-E5150-05 | 10 - 1 | 5TL-E7465-10 | 13 - 28 | 5MX-F2123-00 | 10 - 4 | 4US-F580U-00 | 23 - 3 |
| 164-22216-00 | 10 - 3 | 5MX-E2176-00 | 4 - 3 | 5LW-E5191-00 | 11 - 9 | 5LW-E7611-01 | 13 - 18 | 5LW-F2171-10-35 | 18 - 1 | 5TP-F582U-00 | 23 - 1 |
| | 18 - 6 | 5MX-E2210-00 | 4 - 9 | 5MX-E5315-00 | 11 - 26 | 5LW-E7620-00 | 13 - 10 | 5MX-F2210-03 | 18 - 8 | 5LW-F583T-01 | 26 - 4 |
| 156-23411-00 | 19 - 18 | 5MX-E2213-00 | 4 - 10 | 5MX-E5316-00 | 11 - 34 | 5TL-E7623-00 | 13 - 13 | 5MX-F3100-00 | 19 - 1 | 5LW-F5852-00 | 26 - 8 |
| 22F-23411-01 | 19 - 22 | 5VW-E2231-00 | 4 - 7 | 5LW-E5326-00 | 11 - 37 | 5TL-E7641-01 | 13 - 17 | 5MX-F3108-00 | 28 - 21 | 4TT-F5854-00 | 26 - 7 |
| 156-23412-00 | 19 - 19 | 5MX-E2241-00 | 4 - 8 | 1P7-E5333-00 | 11 - 32 | 5TL-E7660-00 | 13 - 25 | 5MX-F3110-00 | 19 - 4 | 5LW-F585B-00 | 26 - 17 |
| 22F-23412-01 | 19 - 21 | 5LW-E2611-00 | 6 - 13 | 5LW-E5335-00 | 11 - 20 | 5TL-E7664-00 | 13 - 29 | 5LM-F3111-00 | 19 - 12 | 56A-F5867-00 | 26 - 10 |
| 5TL-2341E-00 | 19 - 20 | 5LW-E2631-00 | 6 - 16 | 5LW-E5351-00 | 5 - 9 | 5TL-E7668-00 | 13 - 32 | 5MX-F3126-00 | 19 - 2 | 5G2-F5868-00 | 26 - 6 |
| 5TL-2341E-10 | 19 - 23 | 5LW-E2651-00 | 6 - 1 | 5LW-E5362-00 | 10 - 31 | 5TL-E7670-00 | 13 - 26 | 5MX-F3136-00 | 19 - 3 | 2D5-F5872-00 | 26 - 1 |
| 5LW-24411-00 | 8 - 37 | 5LW-E2652-00 | 6 - 3 | 5LW-E5363-00 | 10 - 23 | 5TL-E7683-00 | 13 - 30 | 5MX-F3141-00 | 19 - 11 | 2D5-F5875-00 | 19 - 26 |
| 4SV-24453-00 | 8 - 12 | 5LW-E2653-00 | 6 - 4 | 5LW-E5371-01 | 10 - 5 | 5TL-E7684-00 | 13 - 31 | 5LM-F3144-00 | 19 - 10 | 2D5-F5876-00 | 19 - 27 |

NUMERICAL INDEX

| PART NO. | REF. NO. | PART NO. | REF. NO. | PART NO. | REF. NO. | PART NO. | REF. NO. | PART NO. | REF. NO. | PART NO. | REF. NO. |
|-----------------|----------|-----------------|----------|--------------|----------|-------------|----------|-------------|----------|-------------|----------|
| 2D5-F5886-00 | 19 - 29 | 2D5-F8300-00-P1 | 28 - 5 | 2D5-H3550-00 | 31 - 7 | 90116-08806 | 1 - 5 | 90201-10118 | 26 - 3 | 90501-16003 | 25 - 20 |
| 1P7-F6110-00 | 25 - 1 | 2D5-F8311-00-33 | 28 - 1 | 5LW-H3912-00 | 34 - 7 | 90119-05071 | 36 - 18 | 90201-10119 | 27 - 3 | 90501-16004 | 5 - 11 |
| 2D5-F6143-00-33 | 25 - 4 | 2D5-F8311-00-P0 | 28 - 1 | 4TT-H3922-00 | 26 - 12 | 90119-06018 | 16 - 6 | 90201-10111 | 22 - 10 | 90506-12001 | 24 - 8 |
| 2D5-F6143-00-P0 | 25 - 4 | 2D5-F8311-00-P1 | 28 - 1 | 3RS-H3936-00 | 35 - 8 | 90119-06044 | 16 - 8 | 90201-12172 | 10 - 34 | 90506-15001 | 24 - 9 |
| 2D5-F6143-00-P1 | 25 - 4 | 2D5-F8356-00 | 15 - 14 | 2D5-F8356-00 | 20 - 8 | | 27 - 9 | 90201-12688 | 15 - 12 | 90506-20514 | 27 - 20 |
| 2D5-F6145-00-33 | 25 - 6 | 2D5-F8373-00 | 28 - 9 | | 25 - 24 | | 27 - 12 | | 29 - 5 | 90506-35002 | 27 - 5 |
| 2D5-F6145-00-P0 | 25 - 6 | 1P7-F8385-00 | 28 - 11 | 5MX-H3972-11 | 34 - 1 | | 35 - 4 | 90201-15008 | 14 - 4 | 90508-32768 | 12 - 11 |
| 2D5-F6145-00-P1 | 25 - 6 | 5MX-F8391-50 | 28 - 22 | 5LW-H3976-00 | 34 - 4 | 90119-06054 | 11 - 33 | 90201-15016 | 14 - 5 | 90560-10292 | 22 - 2 |
| 4US-F6199-00 | 25 - 9 | 5MX-F8391-60 | 28 - 22 | 4ST-H3980-00 | 34 - 10 | 90149-06011 | 20 - 11 | 90201-154E8 | 12 - 13 | 91314-08020 | 27 - 42 |
| | 28 - 15 | 5MX-F8391-70 | 28 - 22 | 5LW-H3980-00 | 26 - 15 | 90149-10800 | 23 - 11 | 90201-16008 | 13 - 16 | 91314-08050 | 27 - 32 |
| 5LW-F6240-00 | 25 - 10 | 5MX-F8392-50 | 28 - 23 | 1P7-H411V-00 | 32 - 9 | 90153-06803 | 1 - 6 | 90201-20276 | 24 - 16 | 91317-06012 | 4 - 13 |
| 5TL-F6241-00 | 25 - 11 | 5MX-F8392-60 | 28 - 23 | 2D5-H4147-00 | 32 - 4 | 90159-06067 | 17 - 17 | 90202-05193 | 20 - 12 | 91317-06014 | 35 - 12 |
| 5MX-F6280-00 | 25 - 12 | 5MX-F8392-70 | 28 - 23 | 2D5-H4300-00 | 32 - 1 | | 28 - 10 | 90206-14093 | 24 - 13 | 91317-06016 | 4 - 11 |
| 5MX-F6290-00 | 25 - 13 | 5MX-F8393-20 | 28 - 24 | 2D5-H430A-00 | 32 - 5 | 90159-06817 | 28 - 17 | 90208-07052 | 5 - 2 | 91317-06020 | 1 - 13 |
| 2D5-F6311-00 | 25 - 14 | 5MX-F8393-30 | 28 - 24 | 2D5-H4312-00 | 32 - 8 | 90170-05302 | 3 - 10 | 90208-12050 | 13 - 21 | | 29 - 3 |
| 2D5-F6331-00 | 25 - 23 | 5MX-F8393-40 | 28 - 24 | 5LL-H4314-00 | 32 - 2 | 90170-10317 | 13 - 7 | 90208-21002 | 14 - 8 | 91317-06025 | 12 - 17 |
| 5LW-F6332-00 | 26 - 11 | 5MX-F8394-20 | 28 - 25 | 2D5-H4397-00 | 32 - 7 | 90175-06013 | 25 - 21 | 90214-14002 | 13 - 19 | 91317-06035 | 7 - 19 |
| 2D5-F6351-00 | 25 - 15 | 5MX-F8394-30 | 28 - 25 | 2D5-H454E-00 | 28 - 20 | 90176-08805 | 1 - 17 | 90240-08145 | 27 - 29 | 91401-25015 | 27 - 30 |
| 5MX-F637G-00 | 25 - 16 | 5MX-F8394-40 | 28 - 25 | 1P7-H466J-00 | 32 - 6 | 90179-12248 | 29 - 6 | | 27 - 39 | | 27 - 40 |
| 5MX-F7111-00 | 27 - 1 | 1P7-F842N-00 | 28 - 14 | 2D5-H4700-00 | 33 - 1 | 90179-25033 | 19 - 25 | 90241-10015 | 21 - 8 | 91810-14001 | 10 - 27 |
| 4YY-F7114-00 | 27 - 22 | 5LW-H1410-00 | 29 - 2 | 4AC-H4714-00 | 33 - 2 | 90183-05807 | 17 - 12 | 90249-10002 | 27 - 2 | 92902-05100 | 8 - 8 |
| 5MX-F7114-00 | 15 - 5 | 5LW-H1450-01 | 29 - 1 | 2D5-H4721-00 | 33 - 4 | | 17 - 15 | 90249-12008 | 25 - 22 | 92903-06200 | 9 - 7 |
| 5MX-F7121-00 | 10 - 2 | 5LW-H1800-02 | 30 - 1 | 1P7-H4723-00 | 33 - 8 | | 21 - 20 | 90280-03017 | 2 - 11 | 92903-10200 | 23 - 12 |
| 5MX-F7214-00 | 25 - 17 | 3KW-H1801-00 | 30 - 2 | 1P7-H4735-00 | 33 - 9 | | 25 - 5 | 90340-12808 | 10 - 33 | 92907-04100 | 8 - 14 |
| 5LW-F7254-00 | 27 - 6 | 3UH-H1828-01 | 30 - 4 | 1P7-H4743-00 | 33 - 7 | | 27 - 10 | 90340-32820 | 11 - 3 | | 8 - 22 |
| 5MX-F7311-00 | 27 - 17 | 5LW-H183G-00 | 30 - 6 | 5TL-H5540-00 | 36 - 1 | | 27 - 14 | 90380-15800 | 12 - 12 | 92907-06600 | 6 - 9 |
| 2D5-F7314-00 | 27 - 31 | 5MX-H1940-00 | 36 - 9 | 2D5-H5546-00 | 36 - 2 | | 28 - 4 | 90387-067V1 | 6 - 5 | | 6 - 12 |
| | 27 - 41 | 5TL-H1960-00 | 36 - 6 | 5MX-H5752-00 | 36 - 15 | | 28 - 7 | 90387-08754 | 15 - 6 | | 30 - 8 |
| 2D5-F7321-00 | 27 - 21 | 5MX-H2110-00 | 35 - 1 | 4US-H5753-00 | 36 - 17 | | 28 - 12 | 90387-10277 | 22 - 7 | | 36 - 8 |
| 2D5-F7430-00 | 27 - 24 | 5MX-H2115-01 | 35 - 7 | 5ER-H5757-00 | 36 - 16 | | 28 - 16 | 90387-15805 | 18 - 5 | 93101-21803 | 13 - 11 |
| 5LM-F7431-00 | 27 - 26 | 2D5-H2116-00 | 35 - 9 | 4TT-W0041-00 | 26 - 5 | | 28 - 19 | 90387-16009 | 13 - 15 | 93102-15801 | 12 - 15 |
| 5LM-F7433-00 | 27 - 27 | 5MX-H212B-00 | 35 - 3 | 4US-W0045-00 | 23 - 8 | | 33 - 6 | 90401-10812 | 26 - 2 | 93102-17803 | 13 - 6 |
| 2D5-F7440-00 | 27 - 34 | 4ST-H2131-00 | 21 - 5 | 4ES-W0047-10 | 23 - 5 | 90185-08803 | 27 - 19 | 90430-06014 | 1 - 7 | 93102-19800 | 10 - 12 |
| 5LM-F7441-00 | 27 - 36 | 5MX-H2131-00 | 35 - 6 | 51L-W0048-00 | 23 - 10 | 90185-10808 | 25 - 3 | 90430-08119 | 10 - 22 | 93102-22810 | 10 - 18 |
| 5LM-F7444-00 | 27 - 37 | 5LW-H2310-00 | 36 - 3 | 4TT-W0057-00 | 23 - 4 | 90185-10811 | 22 - 9 | 90445-08810 | 35 - 2 | 93102-26800 | 14 - 10 |
| 5LM-F7445-00 | 27 - 28 | 5MX-H2370-00 | 36 - 5 | 90101-06278 | 24 - 14 | 90185-14803 | 24 - 15 | 90461-11099 | 35 - 14 | 93106-20816 | 22 - 3 |
| | 27 - 38 | 2D5-H2501-00 | 35 - 10 | 90101-10776 | 18 - 10 | 90201-05812 | 17 - 4 | 90464-12802 | 20 - 7 | 93106-28800 | 18 - 4 |
| 2D5-F7452-00 | 27 - 25 | 5MX-H2552-00 | 35 - 11 | 90105-06069 | 19 - 28 | | 17 - 9 | 90464-14807 | 35 - 18 | 93106-28801 | 18 - 3 |
| 2D5-F7462-00 | 27 - 35 | 2D5-H2590-00 | 35 - 13 | 90105-08048 | 15 - 7 | 90201-06018 | 27 - 33 | 90464-16801 | 35 - 17 | 93210-06800 | 13 - 9 |
| 1P7-F7481-00 | 27 - 7 | 5LW-H2911-00 | 34 - 6 | 90105-08121 | 18 - 9 | | 27 - 43 | 90464-70800 | 35 - 16 | 93210-07802 | 24 - 6 |
| 1P7-F7483-00 | 27 - 15 | 5HV-H3311-00 | 33 - 3 | 90105-10036 | 25 - 2 | 90201-06060 | 13 - 2 | 90465-13152 | 35 - 15 | 93210-09800 | 1 - 2 |
| 1P7-F7484-00 | 27 - 16 | 5LL-H3311-00 | 32 - 3 | 90109-063F1 | 21 - 17 | 90201-06063 | 7 - 20 | 90467-08075 | 20 - 6 | 93210-148H8 | 10 - 24 |
| 1P7-F7488-00 | 27 - 11 | 3WE-H3350-00 | 36 - 12 | 90109-06577 | 26 - 13 | 90201-06072 | 16 - 3 | 90467-09006 | 1 - 26 | 93210-15862 | 4 - 14 |
| 5MX-F8100-00 | 15 - 18 | 5MX-H3371-00 | 36 - 13 | 90109-06799 | 34 - 8 | 90201-06557 | 9 - 5 | | 20 - 5 | 93210-25803 | 7 - 4 |
| 5LM-F8100-10 | 15 - 18 | 2D5-H3509-00 | 31 - 4 | 90109-067E4 | 10 - 28 | 90201-077F5 | 5 - 4 | 90467-11106 | 11 - 7 | 93210-26668 | 30 - 5 |
| 5LW-F8257-10 | 28 - 8 | 5LW-H3510-00 | 31 - 1 | 90109-08881 | 27 - 18 | 90201-08088 | 11 - 31 | 90467-12800 | 7 - 16 | 93210-29800 | 5 - 12 |
| 2D5-F8300-00-33 | 28 - 5 | 5MY-H3511-00 | 31 - 2 | 90110-06813 | 10 - 29 | 90201-08609 | 1 - 16 | 90480-13428 | 33 - 10 | 93210-328G3 | 11 - 4 |
| 2D5-F8300-00-P0 | 28 - 5 | 5MY-H353F-00 | 31 - 3 | 90111-08815 | 23 - 2 | 90201-10018 | 12 - 7 | 90480-13867 | 35 - 5 | 93210-448G4 | 1 - 15 |

NUMERICAL INDEX

| PART NO. | REF. NO. | PART NO. | REF. NO. | PART NO. | REF. NO. | PART NO. | REF. NO. | PART NO. | REF. NO. | PART NO. | REF. NO. |
|-------------|----------|-------------|----------|-------------|----------|----------|----------|----------|----------|----------|----------|
| 93210-55669 | 30 - 3 | 9560L-10200 | 15 - 4 | 98507-04010 | 8 - 24 | | | | | | |
| 93210-71462 | 1 - 12 | 9560L-12200 | 15 - 13 | 98507-04014 | 8 - 21 | | | | | | |
| 93211-07800 | 10 - 13 | 9560M-06100 | 26 - 14 | 98507-04018 | 8 - 13 | | | | | | |
| 93300-638Y6 | 13 - 8 | 95707-06500 | 21 - 4 | 98507-05010 | 8 - 6 | | | | | | |
| 93306-002X2 | 4 - 2 | | 21 - 7 | | 21 - 10 | | | | | | |
| 93306-003X4 | 15 - 10 | 95707-08500 | 9 - 9 | 98507-05012 | 8 - 7 | | | | | | |
| 93306-004XD | 14 - 9 | | 15 - 16 | 98507-05020 | 5 - 8 | | | | | | |
| 93306-203YU | 13 - 5 | 95707-10500 | 18 - 11 | 98507-06014 | 25 - 19 | | | | | | |
| | 14 - 12 | | 24 - 5 | 98507-06016 | 29 - 4 | | | | | | |
| 93306-300X9 | 22 - 4 | 95807-06010 | 16 - 2 | | 36 - 7 | | | | | | |
| 93306-301YS | 14 - 2 | | 36 - 14 | 98507-06018 | 36 - 4 | | | | | | |
| 93306-302X4 | 18 - 2 | 95807-06012 | 20 - 2 | 98507-06020 | 6 - 8 | | | | | | |
| 93306-305X3 | 2 - 8 | 95807-06016 | 21 - 12 | 98507-06025 | 6 - 11 | | | | | | |
| 93306-372Y2 | 2 - 9 | 95807-06025 | 19 - 30 | 98507-06040 | 25 - 18 | | | | | | |
| 93306-809Y0 | 12 - 2 | 95817-06050 | 7 - 5 | 9850M-05030 | 34 - 2 | | | | | | |
| 93310-528Y8 | 2 - 4 | 95817-08016 | 4 - 5 | 9850M-05040 | 34 - 3 | | | | | | |
| 93311-315Y6 | 14 - 3 | | 10 - 21 | 9850M-05050 | 34 - 5 | | | | | | |
| 93410-20070 | 14 - 11 | 95817-08035 | 9 - 12 | 9870M-04012 | 26 - 9 | | | | | | |
| 93440-45827 | 12 - 3 | | 15 - 15 | 98907-06010 | 11 - 10 | | | | | | |
| 93450-16068 | 2 - 14 | 95817-08040 | 18 - 7 | 98980-06010 | 9 - 4 | | | | | | |
| 93602-11144 | 5 - 3 | 95817-10040 | 27 - 23 | 99001-05600 | 5 - 5 | | | | | | |
| 94107-16801 | 22 - 5 | 95817-10060 | 9 - 10 | 99001-08600 | 27 - 4 | | | | | | |
| 94108-16801 | 24 - 2 | 95827-06020 | 21 - 14 | 99009-15400 | 12 - 14 | | | | | | |
| 94207-16801 | 22 - 6 | 95827-06060 | 28 - 2 | 99009-17400 | 13 - 4 | | | | | | |
| 94208-16801 | 24 - 3 | 97007-06025 | 30 - 7 | 99234-00080 | 17 - 24 | | | | | | |
| 94568-A6090 | 4 - 6 | 9760L-04212 | 26 - 16 | 99480-05010 | 10 - 15 | | | | | | |
| 94700-00846 | 1 - 18 | 97707-50014 | 16 - 9 | 99530-10114 | 1 - 20 | | | | | | |
| 95027-06008 | 36 - 11 | | 17 - 2 | | 1 - 21 | | | | | | |
| 95027-06010 | 13 - 3 | | 17 - 7 | | 10 - 7 | | | | | | |
| 95027-06012 | 6 - 14 | | 17 - 11 | | 11 - 11 | | | | | | |
| | 12 - 9 | | 17 - 14 | | | | | | | | |
| 95027-06016 | 10 - 17 | | 21 - 18 | | | | | | | | |
| | 11 - 38 | | 25 - 7 | | | | | | | | |
| 95027-06020 | 11 - 18 | | 27 - 8 | | | | | | | | |
| 95027-06025 | 11 - 12 | | 27 - 13 | | | | | | | | |
| | 34 - 11 | | 28 - 3 | | | | | | | | |
| 95027-06035 | 11 - 13 | | 28 - 6 | | | | | | | | |
| 95027-06050 | 10 - 10 | | 28 - 13 | | | | | | | | |
| 95027-06060 | 10 - 8 | | 31 - 6 | | | | | | | | |
| | 11 - 14 | | 32 - 10 | | | | | | | | |
| 95027-06070 | 10 - 16 | 97707-60530 | 6 - 10 | | | | | | | | |
| 95027-06100 | 1 - 22 | 9770L-40620 | 33 - 5 | | | | | | | | |
| | 10 - 9 | 9770N-50525 | 7 - 9 | | | | | | | | |
| 95027-08040 | 11 - 29 | 97780-50014 | 17 - 3 | | | | | | | | |
| 95027-08080 | 11 - 30 | | 17 - 8 | | | | | | | | |
| 95307-12700 | 13 - 22 | | 25 - 8 | | | | | | | | |
| 95607-06100 | 34 - 9 | 98502-05010 | 8 - 36 | | | | | | | | |
| 95607-08200 | 15 - 8 | 98507-04008 | 8 - 11 | | | | | | | | |